

# SYSTEM WIRING DIAGRAMS

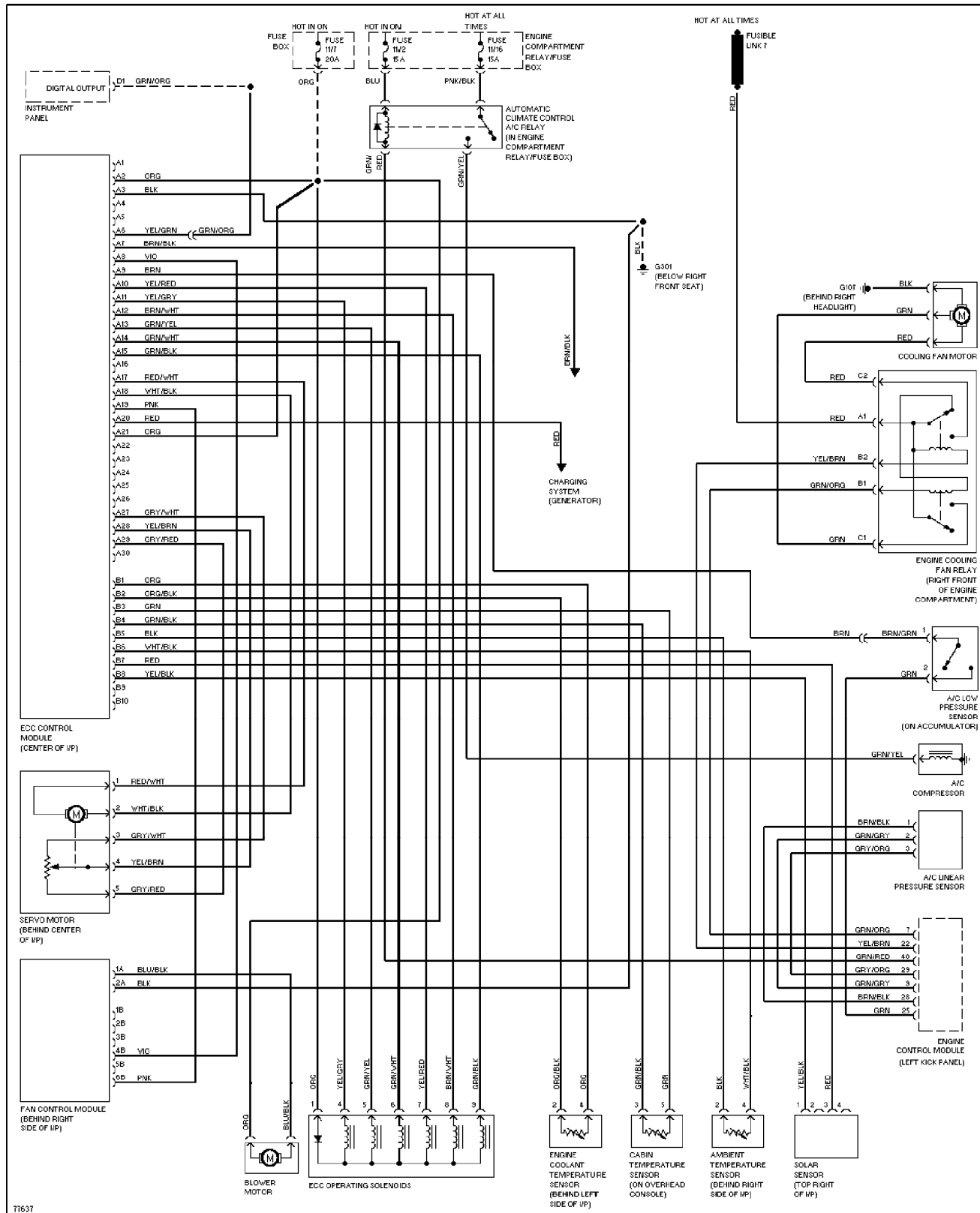
## Air Conditioning Circuits

1996 Volvo 960

For x

Copyright © 1998 Mitchell Repair Information Company, LLC

Saturday, July 24, 2004 11:06AM



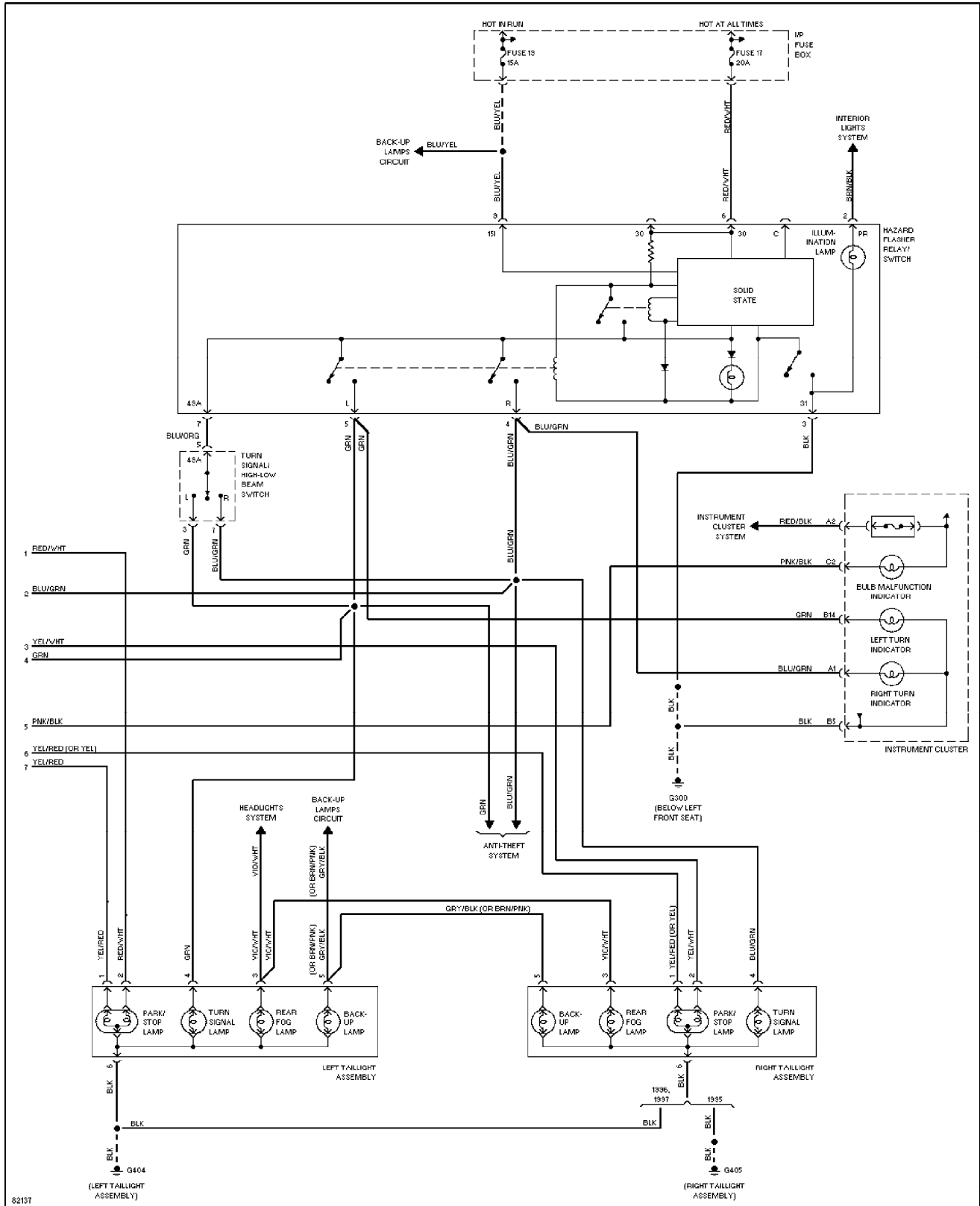
# SYSTEM WIRING DIAGRAMS

## Exterior Lamps Circuit, Wagon (2 of 2)

1996 Volvo 960

For x

Copyright © 1998 Mitchell Repair Information Company, LLC  
Saturday, July 24, 2004 11:07AM



# SYSTEM WIRING DIAGRAMS

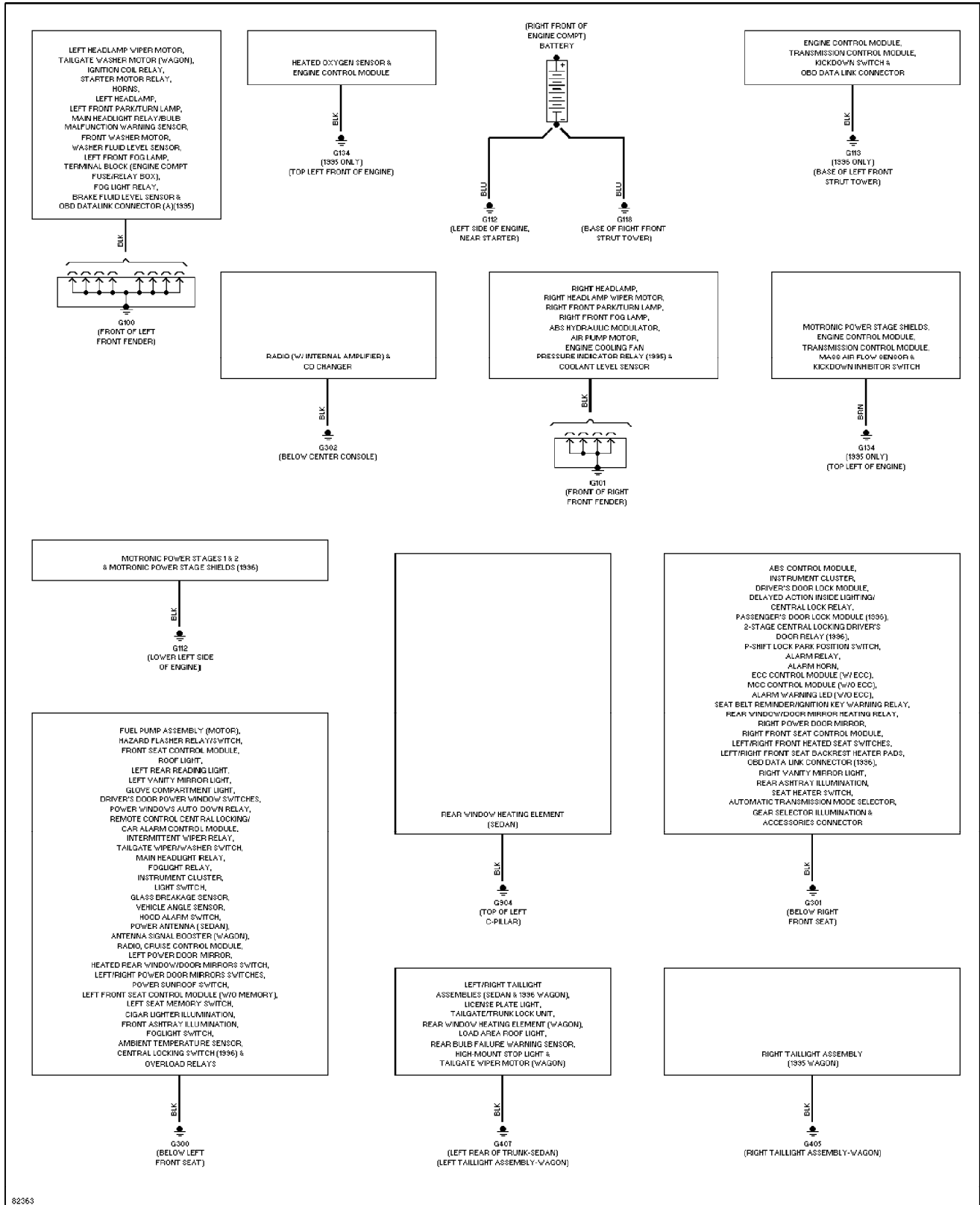
## Ground Distribution Circuit

1996 Volvo 960

For x

Copyright © 1998 Mitchell Repair Information Company, LLC

Saturday, July 24, 2004 11:07AM



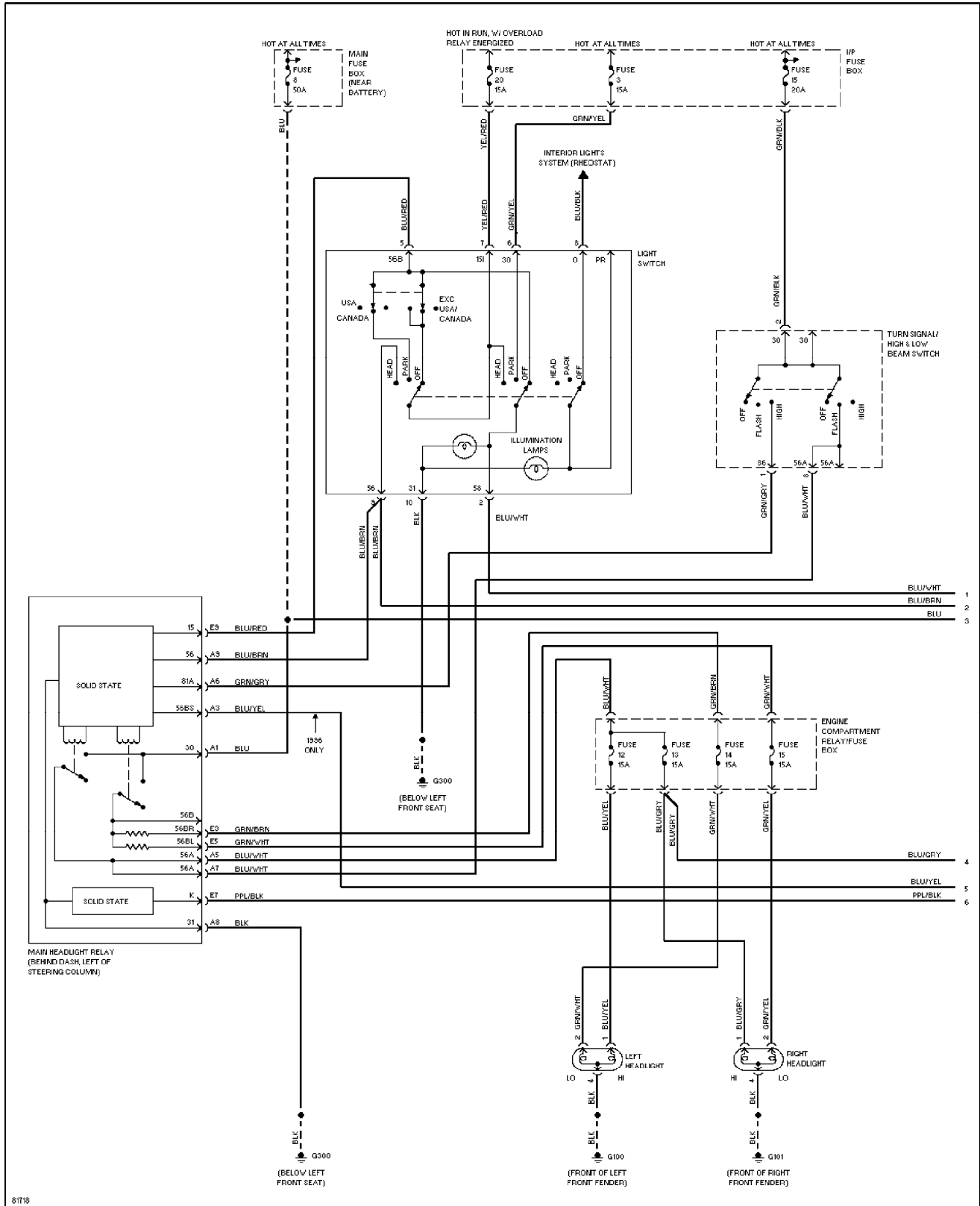
# SYSTEM WIRING DIAGRAMS

## Headlamps/Fog Lamps Circuit (1 of 2)

1996 Volvo 960

For x

Copyright © 1998 Mitchell Repair Information Company, LLC  
Saturday, July 24, 2004 11:07AM



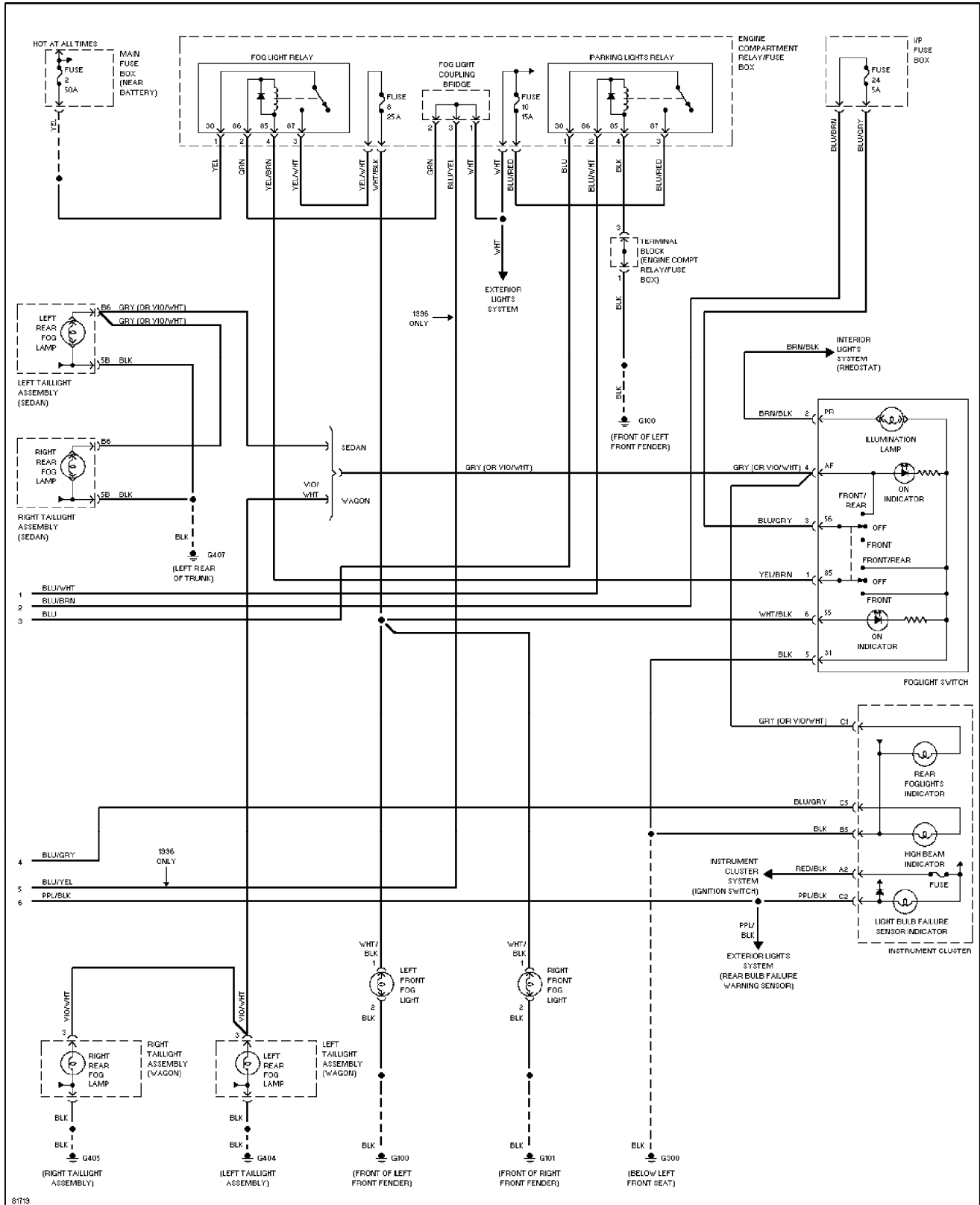
# SYSTEM WIRING DIAGRAMS

## Headlamps/Fog Lamps Circuit (2 of 2)

1996 Volvo 960

For x

Copyright © 1998 Mitchell Repair Information Company, LLC  
Saturday, July 24, 2004 11:07AM



# SYSTEM WIRING DIAGRAMS

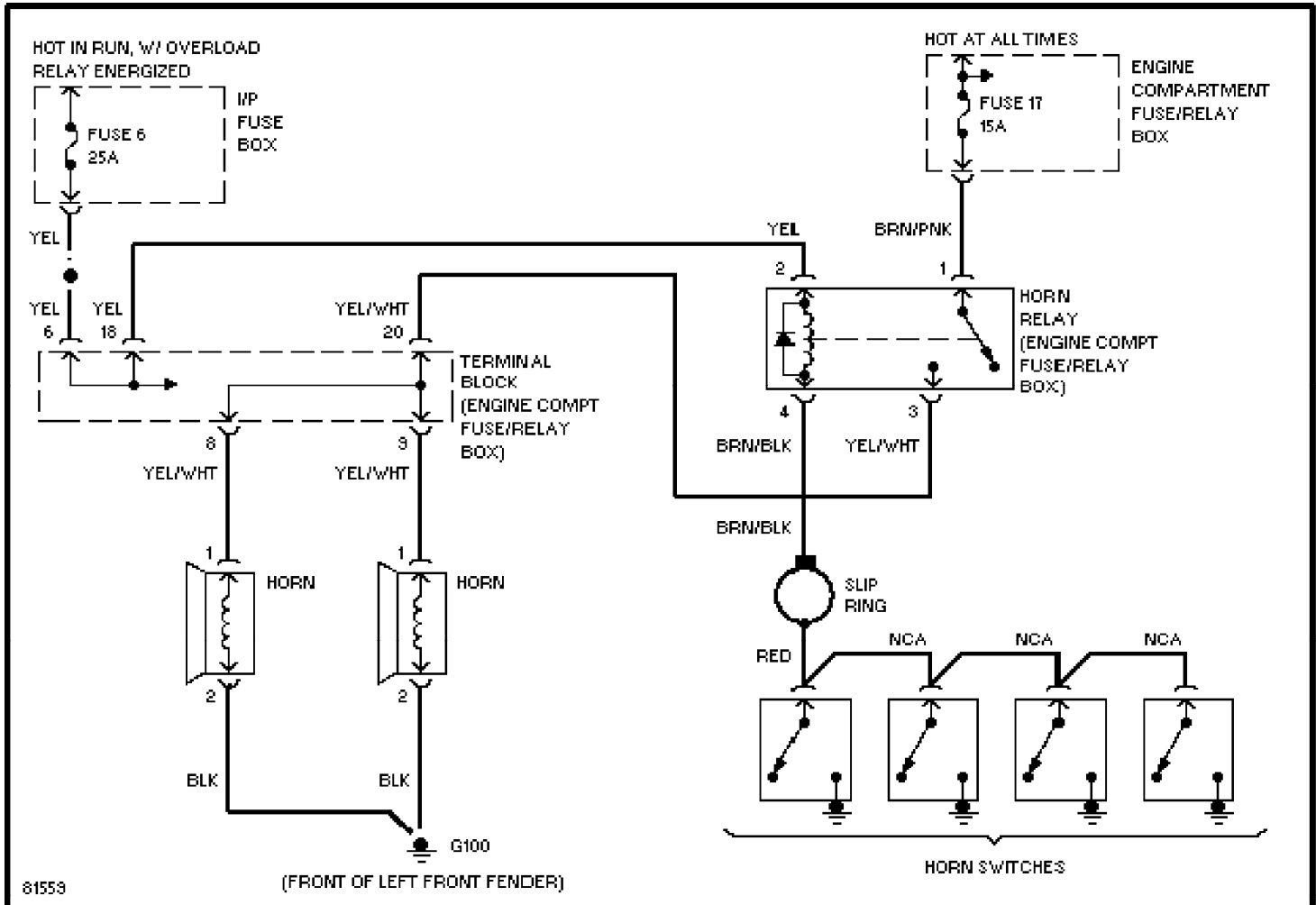
## Horn Circuit

1996 Volvo 960

For x

Copyright © 1998 Mitchell Repair Information Company, LLC

Saturday, July 24, 2004 11:07AM



# SYSTEM WIRING DIAGRAMS

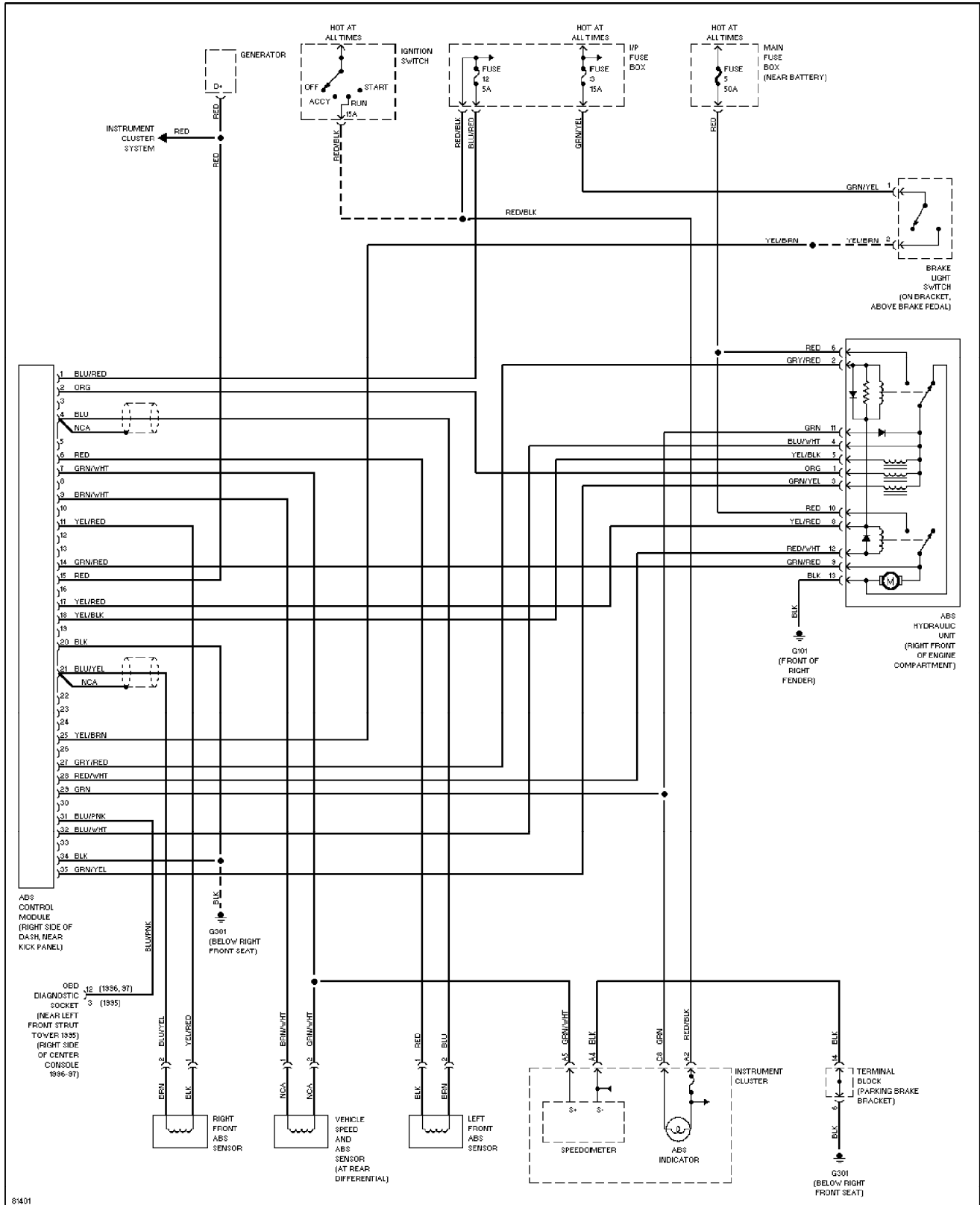
## Anti-lock Brake Circuits

1996 Volvo 960

For x

Copyright © 1998 Mitchell Repair Information Company, LLC

Saturday, July 24, 2004 11:06AM



# SYSTEM WIRING DIAGRAMS

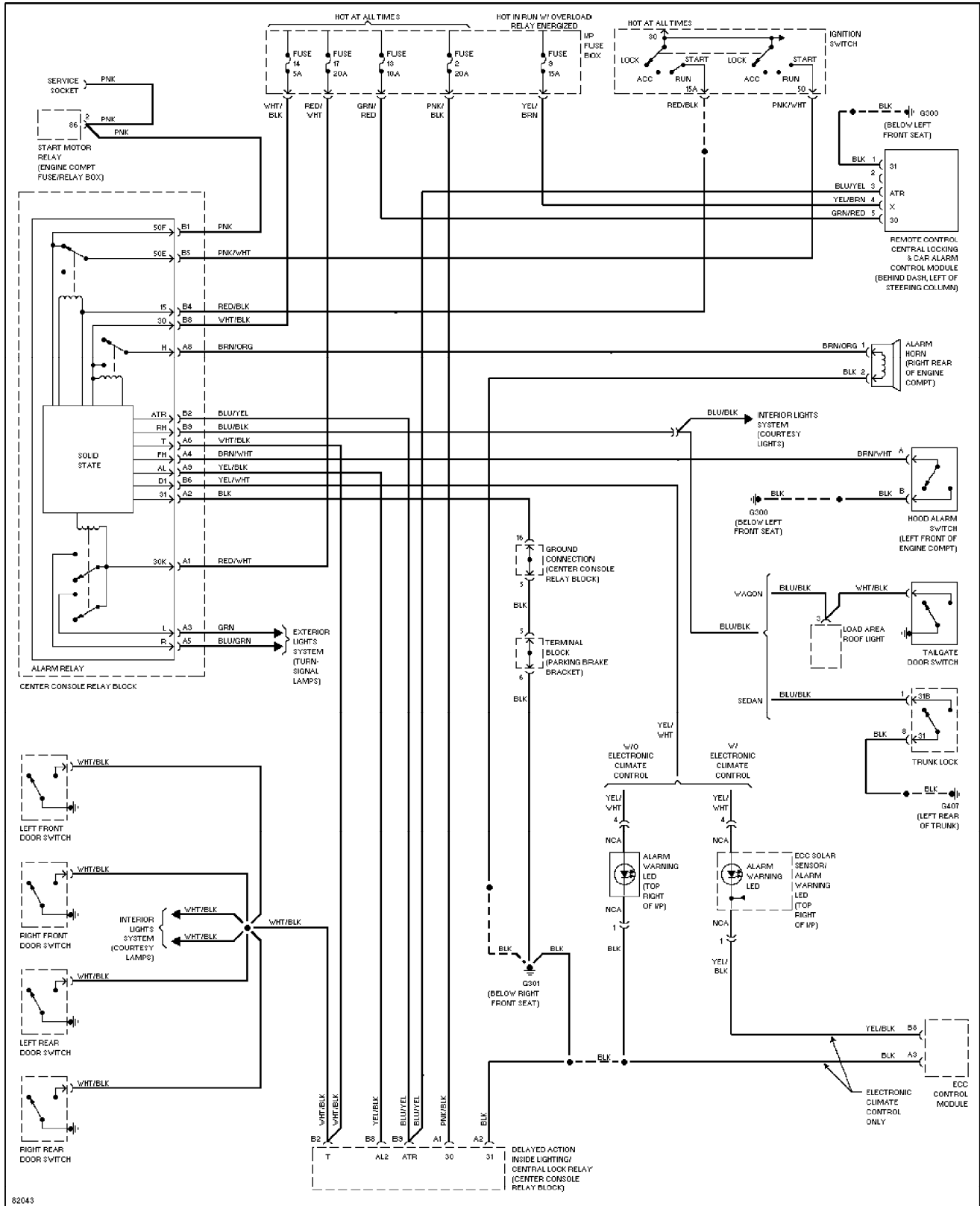
## Base Anti-theft Circuit

1996 Volvo 960

For x

Copyright © 1998 Mitchell Repair Information Company, LLC

Saturday, July 24, 2004 11:06AM





# SYSTEM WIRING DIAGRAMS

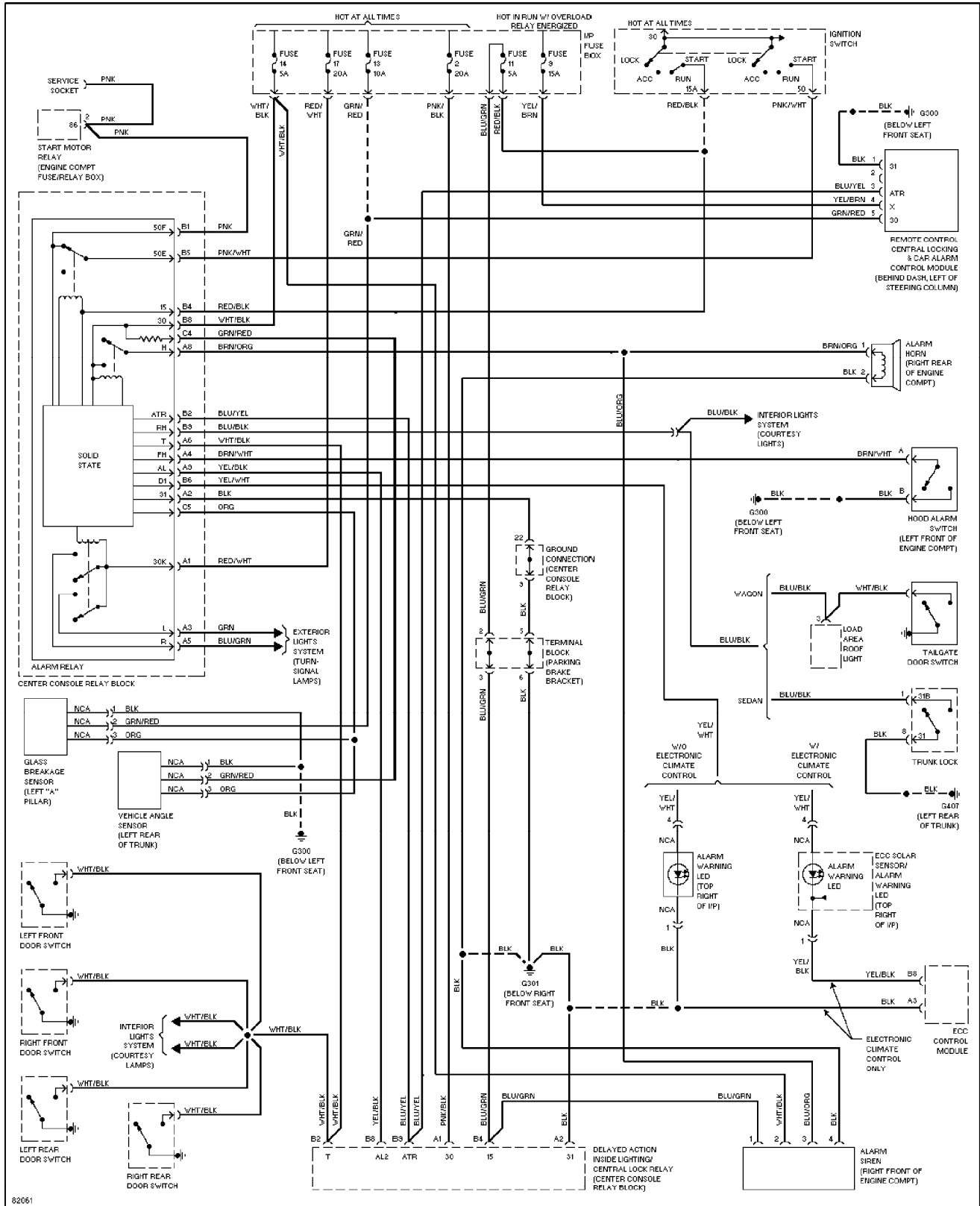
## Guard Alarm II Circuit

1996 Volvo 960

For x

Copyright © 1998 Mitchell Repair Information Company, LLC

Saturday, July 24, 2004 11:07AM



# SYSTEM WIRING DIAGRAMS

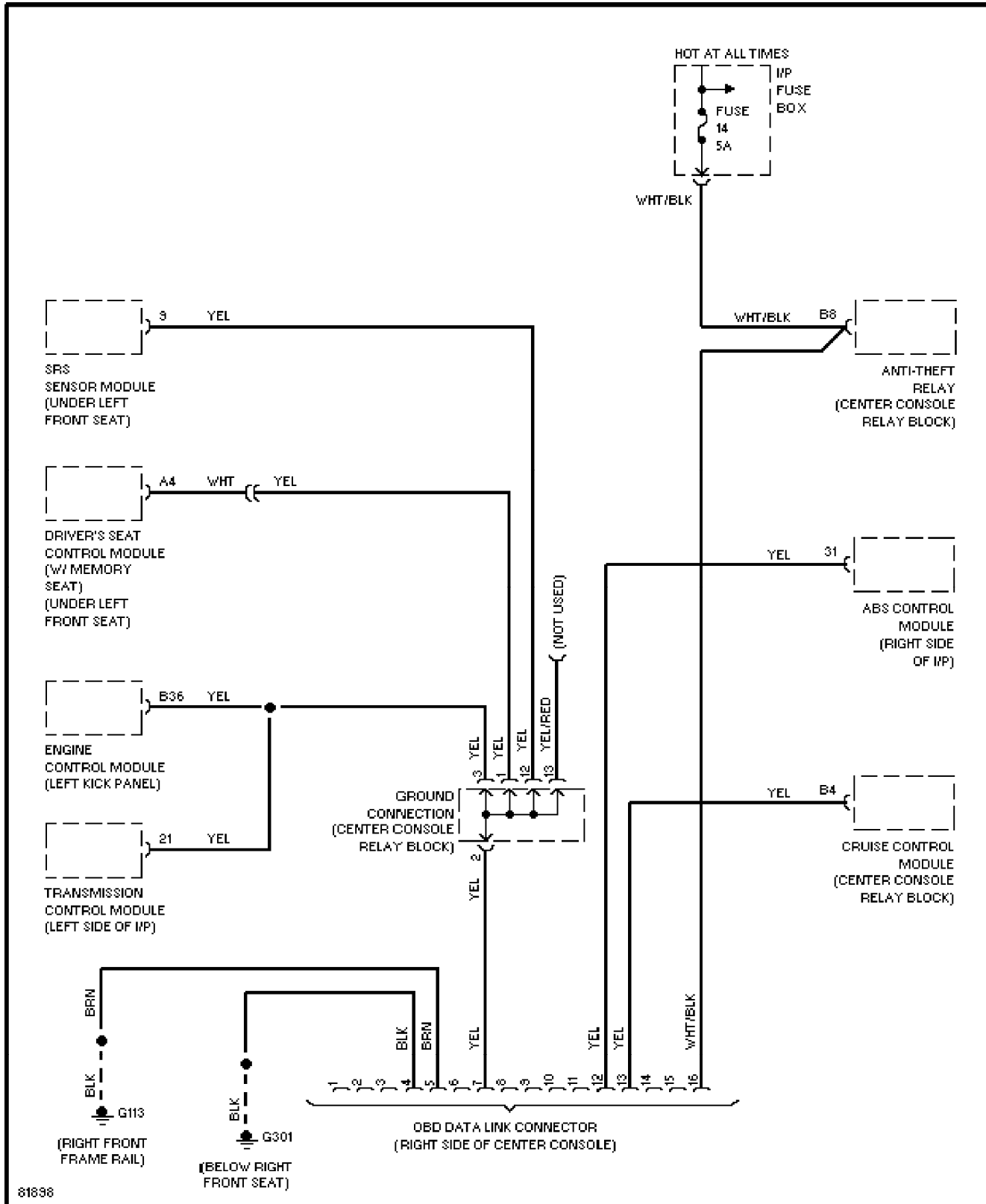
## Computer Data Lines

1996 Volvo 960

For x

Copyright © 1998 Mitchell Repair Information Company, LLC

Saturday, July 24, 2004 11:07AM



# SYSTEM WIRING DIAGRAMS

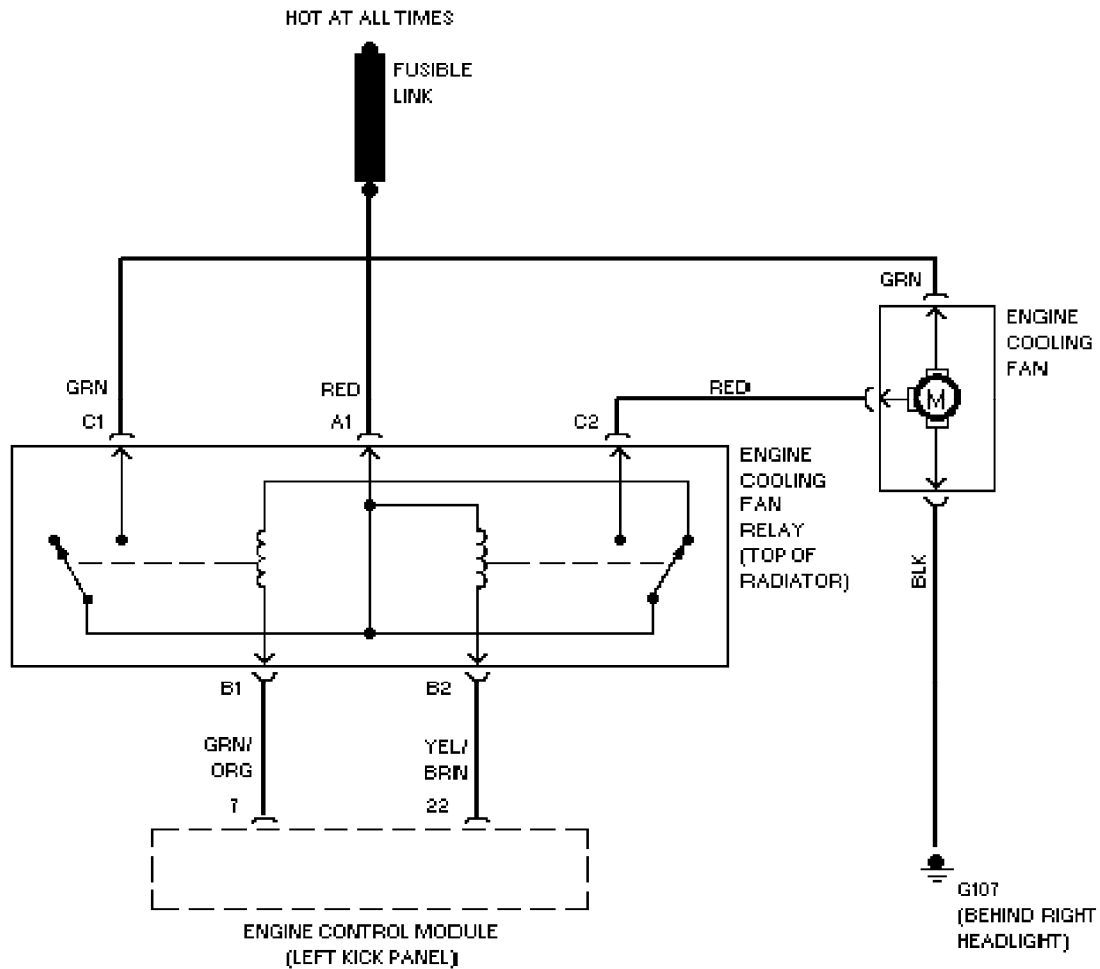
## Cooling Fan Circuit

1996 Volvo 960

For x

Copyright © 1998 Mitchell Repair Information Company, LLC

Saturday, July 24, 2004 11:07AM



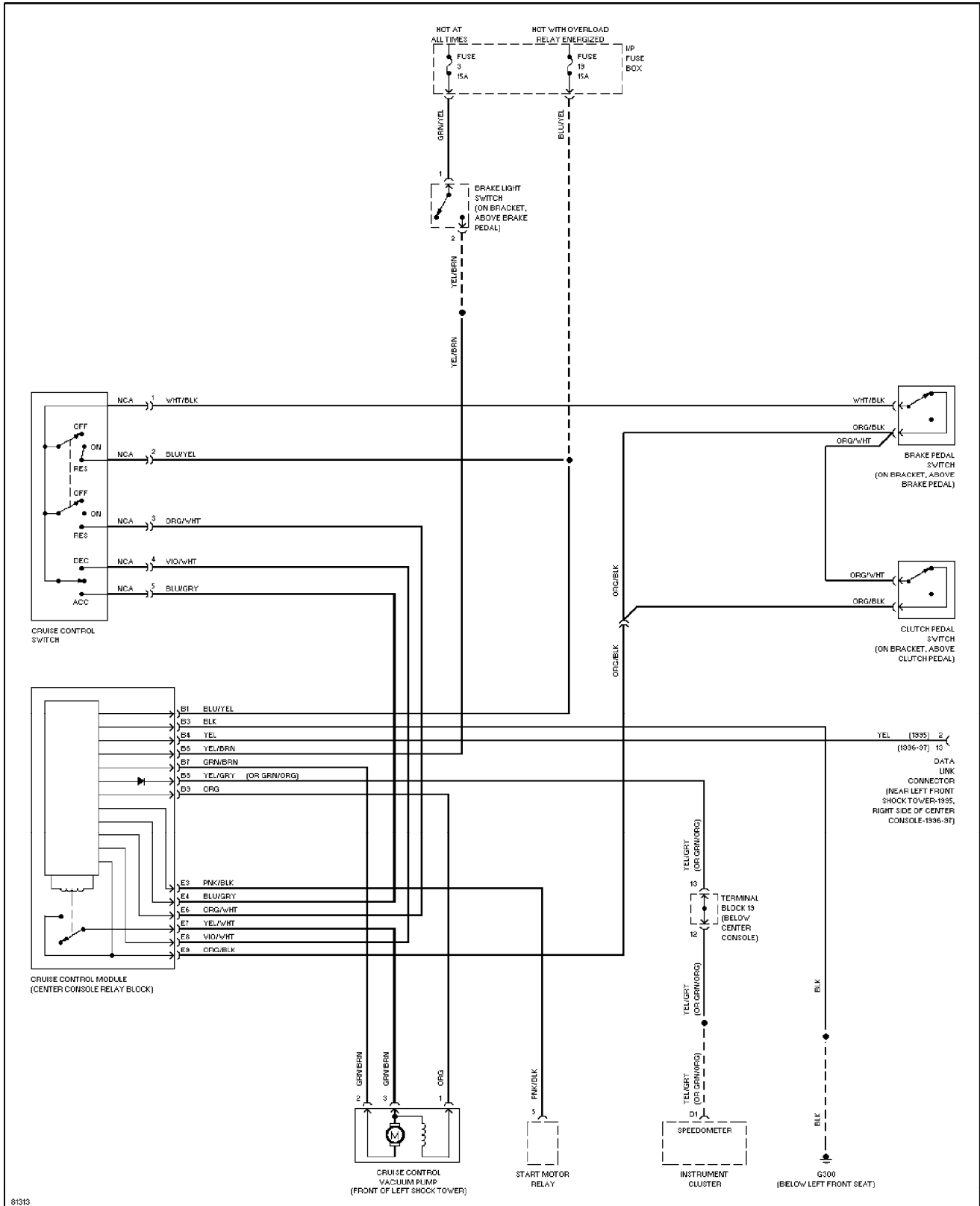
# SYSTEM WIRING DIAGRAMS

## Cruise Control Circuit

1996 Volvo 960

For x

Copyright © 1998 Mitchell Repair Information Company, LLC  
Saturday, July 24, 2004 11:07AM



# SYSTEM WIRING DIAGRAMS

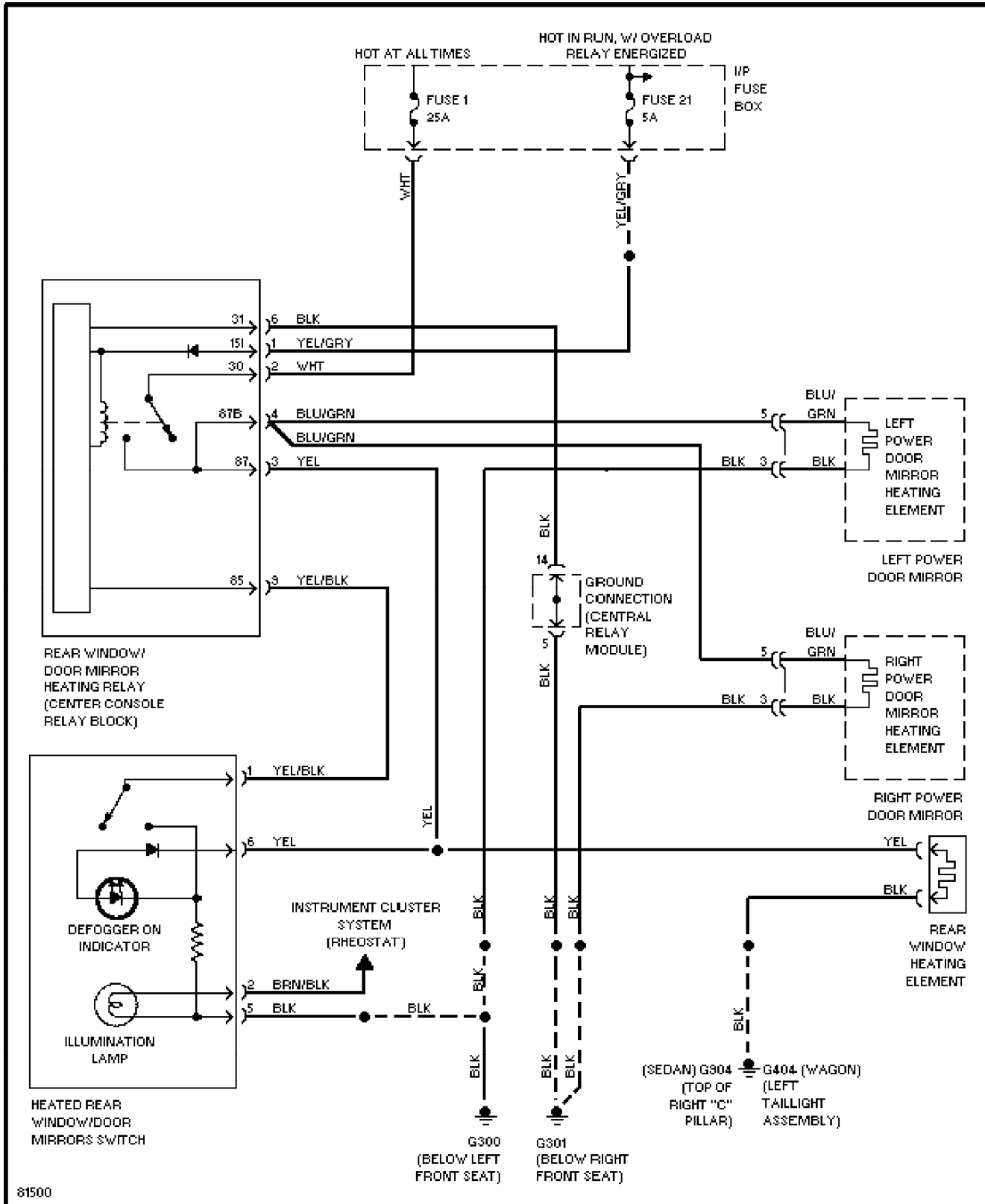
## Defogger Circuit

1996 Volvo 960

For x

Copyright © 1998 Mitchell Repair Information Company, LLC

Saturday, July 24, 2004 11:07AM



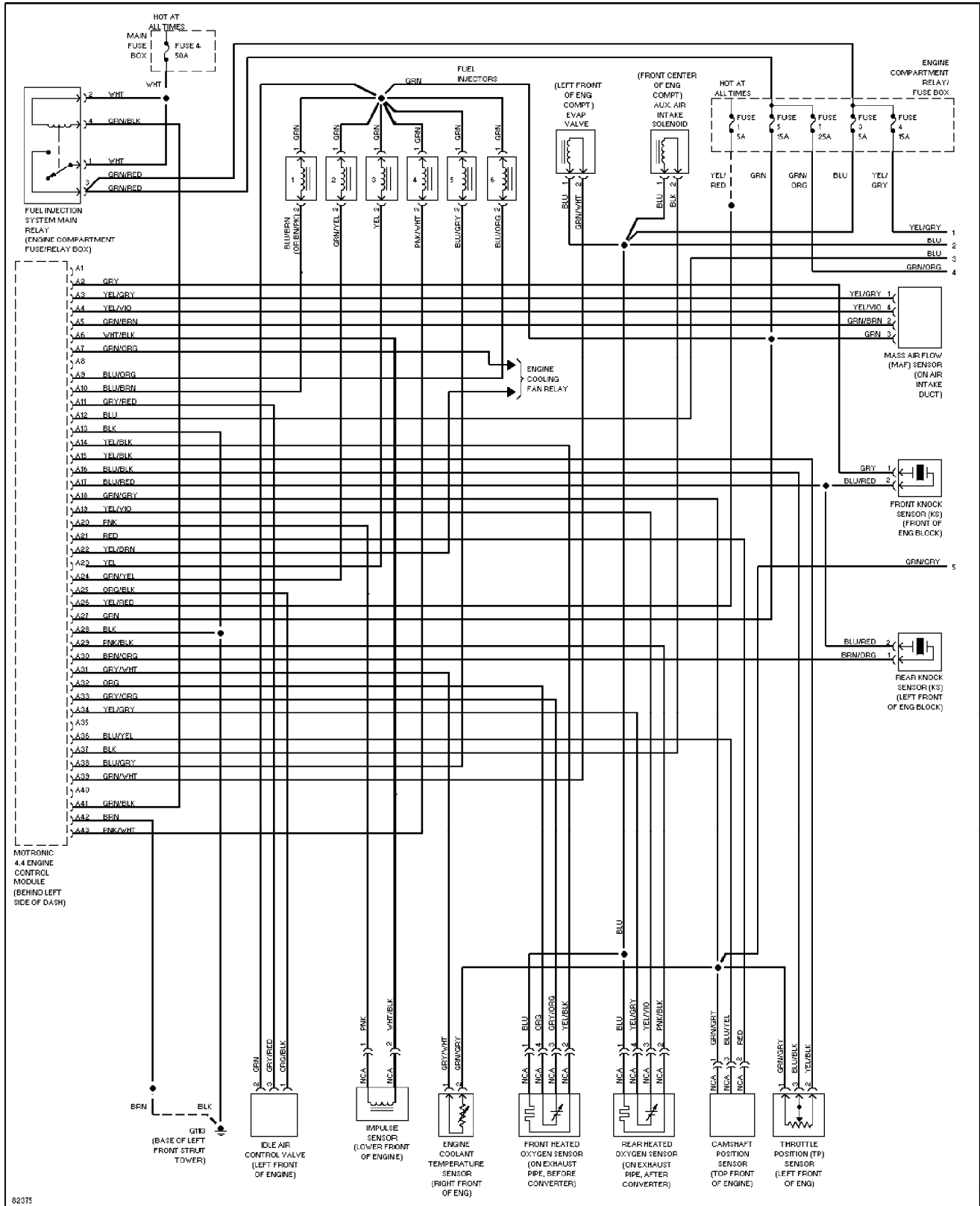
# SYSTEM WIRING DIAGRAMS

## 2.9L, Engine Performance Circuits (1 of 2)

1996 Volvo 960

For x

Copyright © 1998 Mitchell Repair Information Company, LLC  
Saturday, July 24, 2004 11:07AM



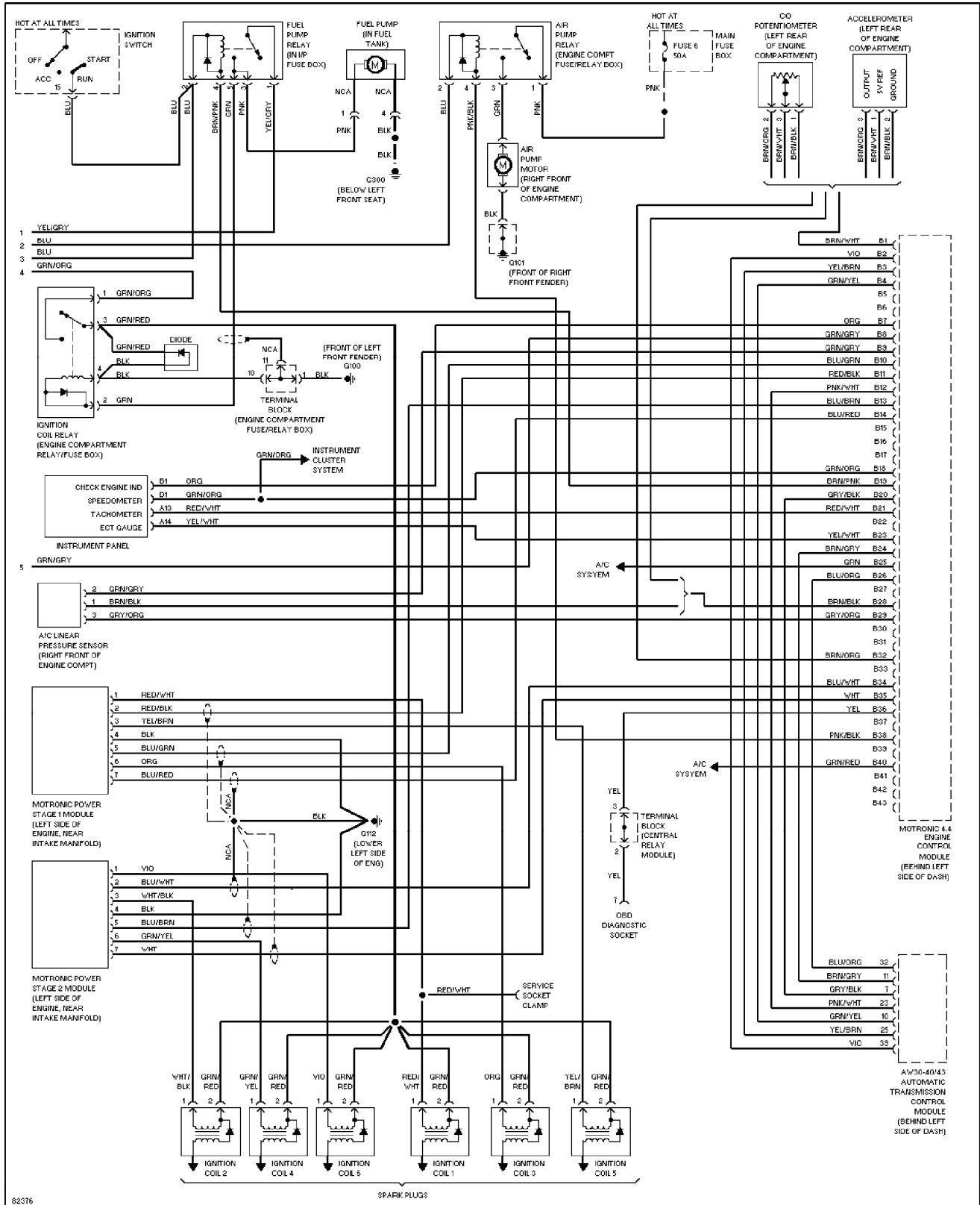
# SYSTEM WIRING DIAGRAMS

## 2.9L, Engine Performance Circuits (2 of 2)

1996 Volvo 960

For x

Copyright © 1998 Mitchell Repair Information Company, LLC  
Saturday, July 24, 2004 11:07AM



# SYSTEM WIRING DIAGRAMS

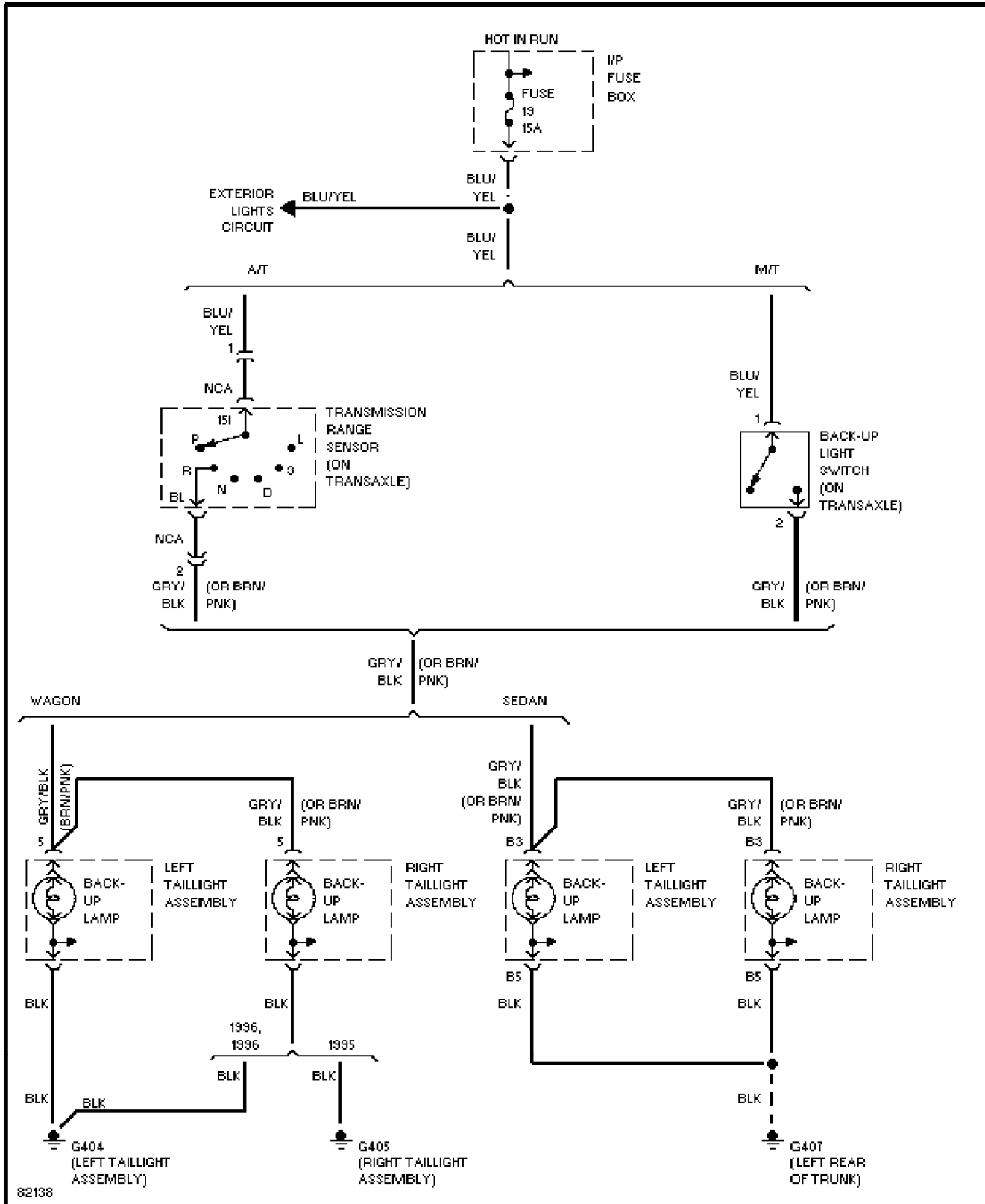
## Back-up Lamps Circuit

1996 Volvo 960

For x

Copyright © 1998 Mitchell Repair Information Company, LLC

Saturday, July 24, 2004 11:07AM





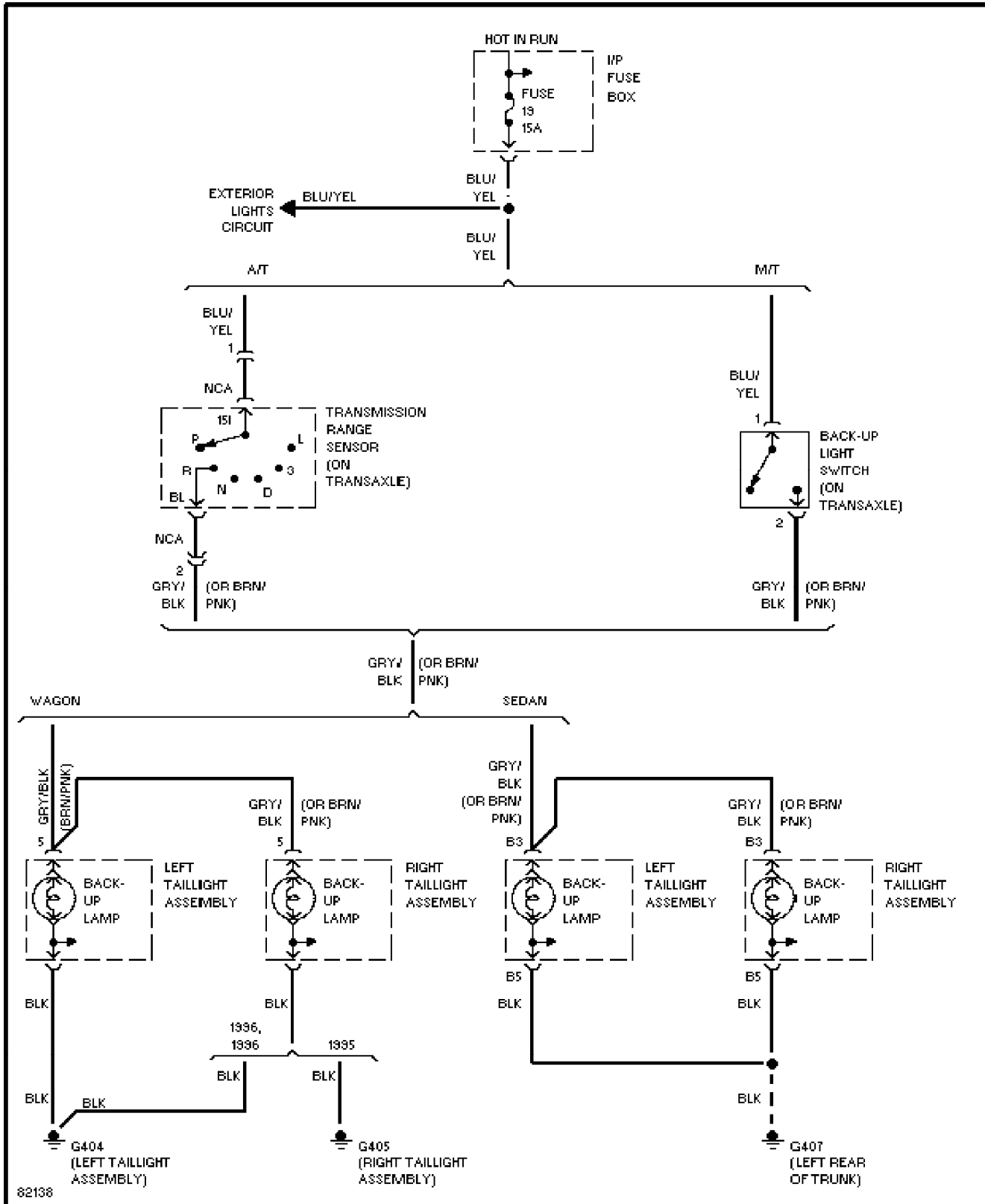
# SYSTEM WIRING DIAGRAMS

## Backup Lamps Circuit, Sedan & Wagon

1996 Volvo 960

For x

Copyright © 1998 Mitchell Repair Information Company, LLC  
Saturday, July 24, 2004 11:07AM



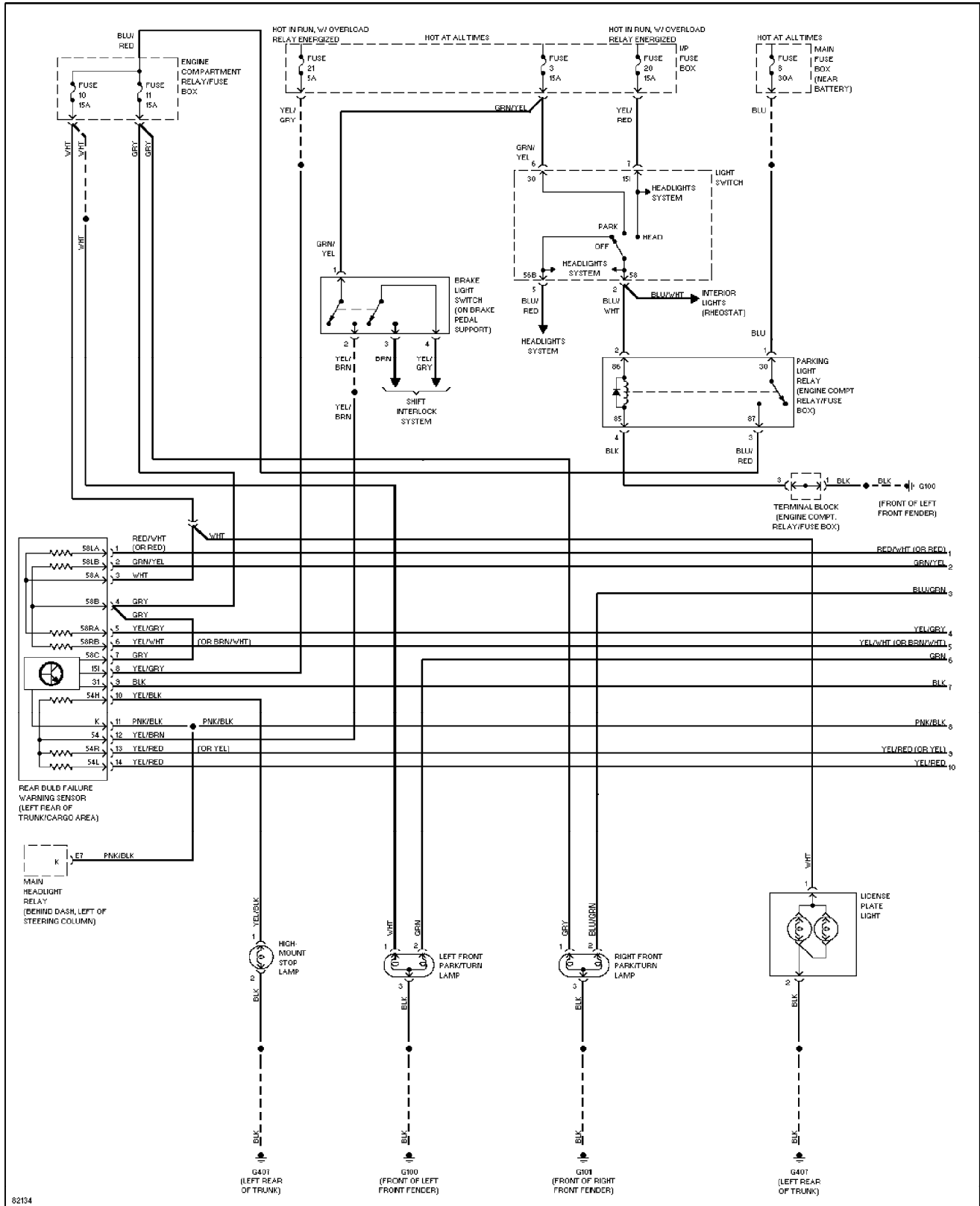
# SYSTEM WIRING DIAGRAMS

## Exterior Lamps Circuit, Sedan (1 of 2)

1996 Volvo 960

For x

Copyright © 1998 Mitchell Repair Information Company, LLC  
 Saturday, July 24, 2004 11:07AM



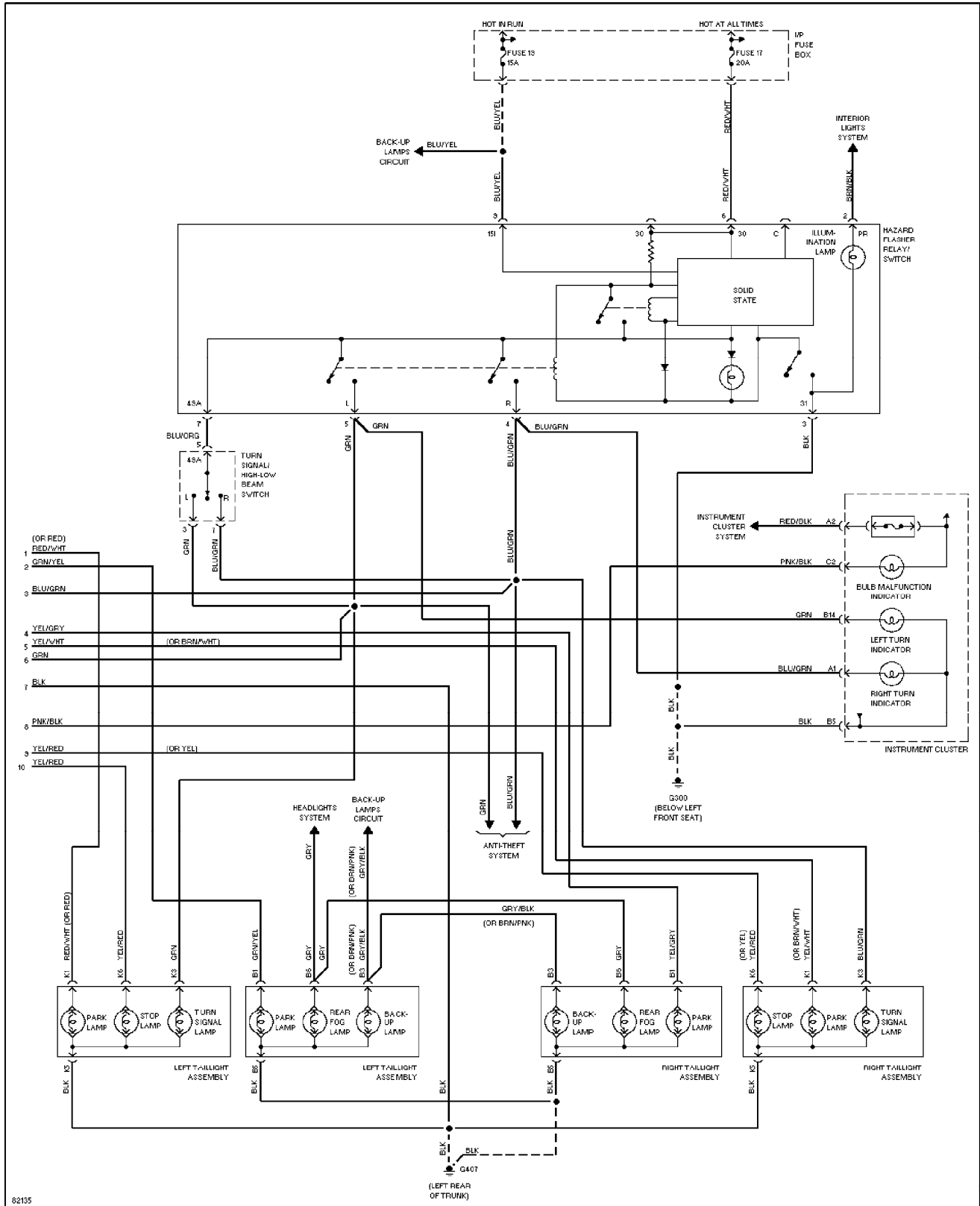
# SYSTEM WIRING DIAGRAMS

## Exterior Lamps Circuit, Sedan (2 of 2)

1996 Volvo 960

For x

Copyright © 1998 Mitchell Repair Information Company, LLC  
Saturday, July 24, 2004 11:07AM



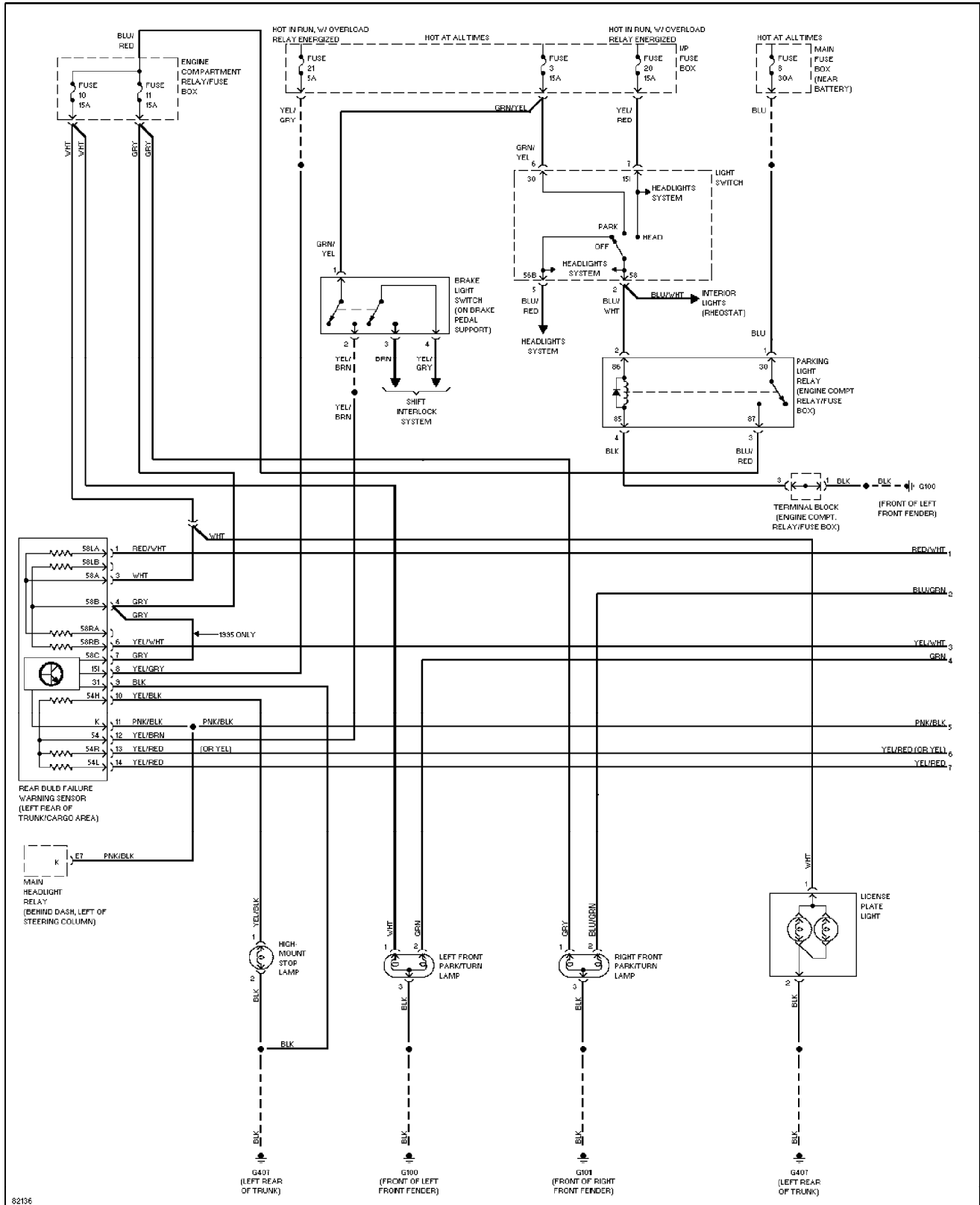
# SYSTEM WIRING DIAGRAMS

## Exterior Lamps Circuit, Wagon (1 of 2)

1996 Volvo 960

For x

Copyright © 1998 Mitchell Repair Information Company, LLC  
Saturday, July 24, 2004 11:07AM



# SYSTEM WIRING DIAGRAMS

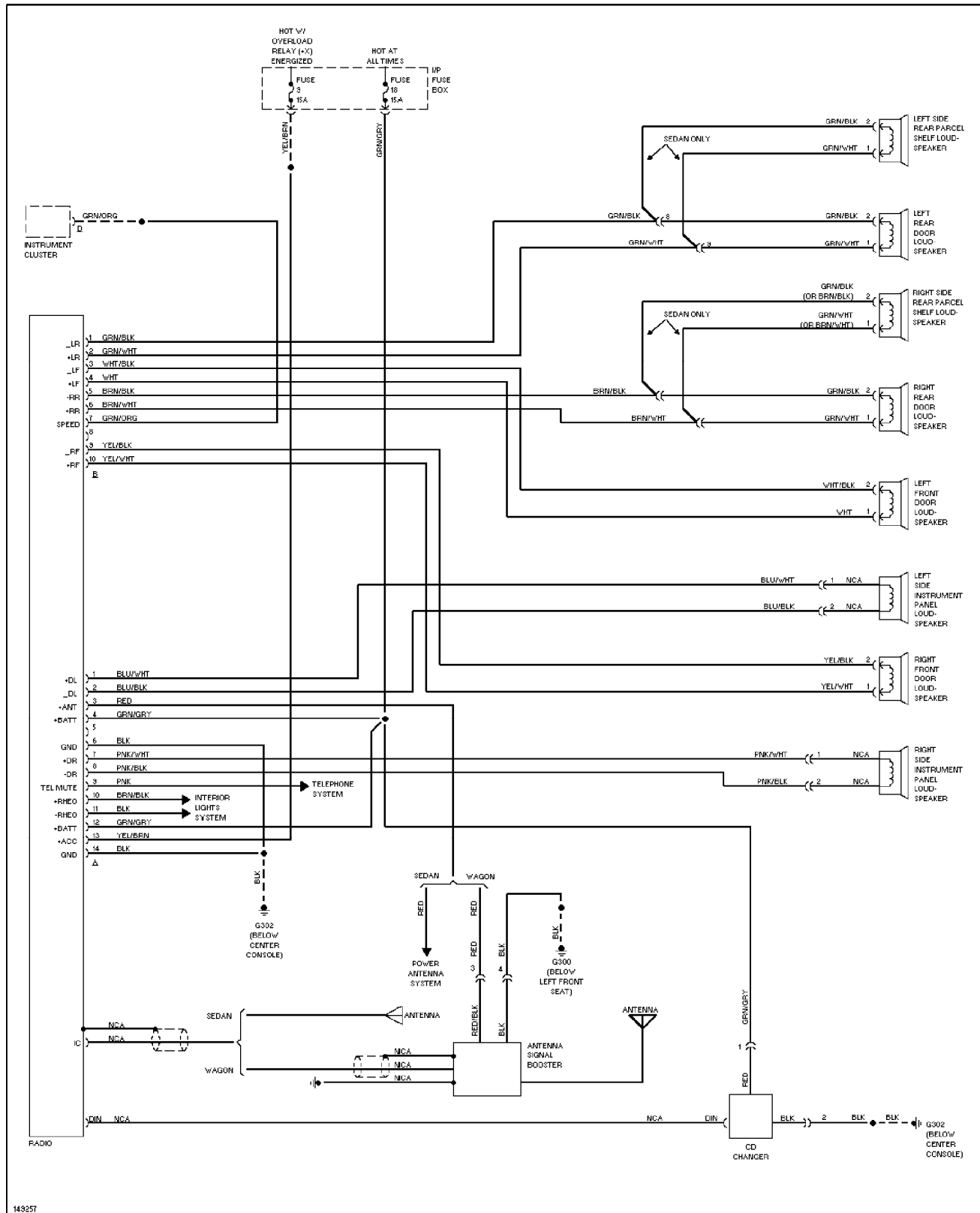
## Radio Circuits, W/O Amplifier

1996 Volvo 960

For x

Copyright © 1998 Mitchell Repair Information Company, LLC

Saturday, July 24, 2004 11:09AM



# SYSTEM WIRING DIAGRAMS

## Shift Interlock Circuit

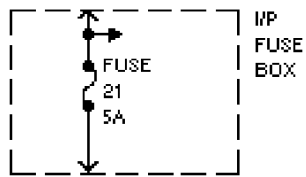
1996 Volvo 960

For x

Copyright © 1998 Mitchell Repair Information Company, LLC

Saturday, July 24, 2004 11:10AM

HOT IN RUN, W/ OVERLOAD  
RELAY ENERGIZED



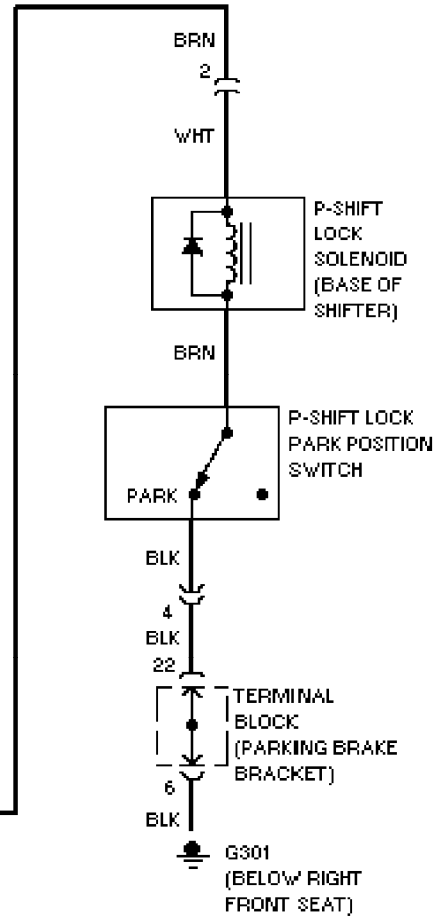
YEL/  
GRY

YEL/  
GRY

4

BRAKE  
LIGHT  
SWITCH  
(ON BRAKE  
PEDAL  
SUPPORT)

BRN



# SYSTEM WIRING DIAGRAMS

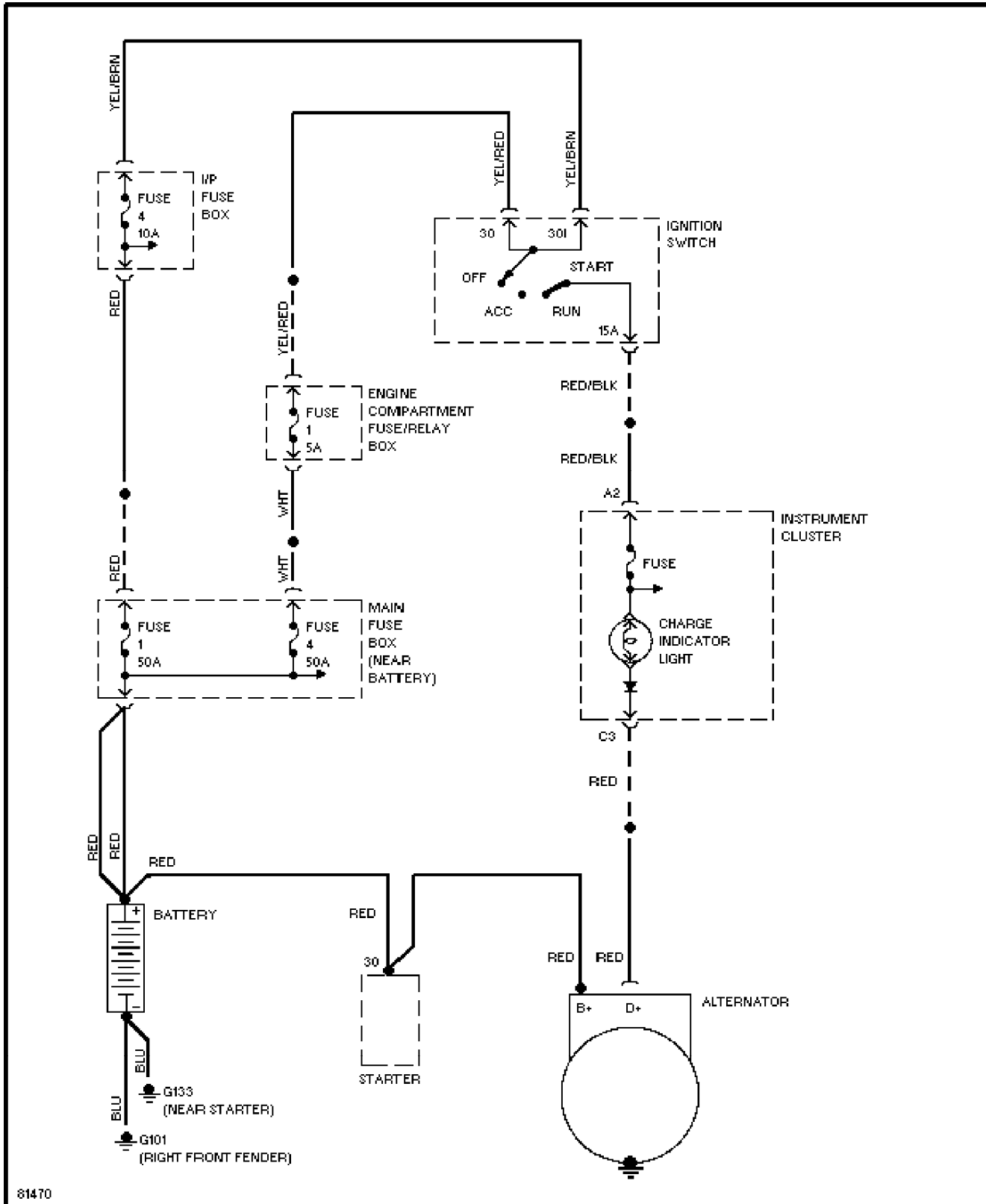
## Charging Circuit

1996 Volvo 960

For x

Copyright © 1998 Mitchell Repair Information Company, LLC

Saturday, July 24, 2004 11:10AM



# SYSTEM WIRING DIAGRAMS

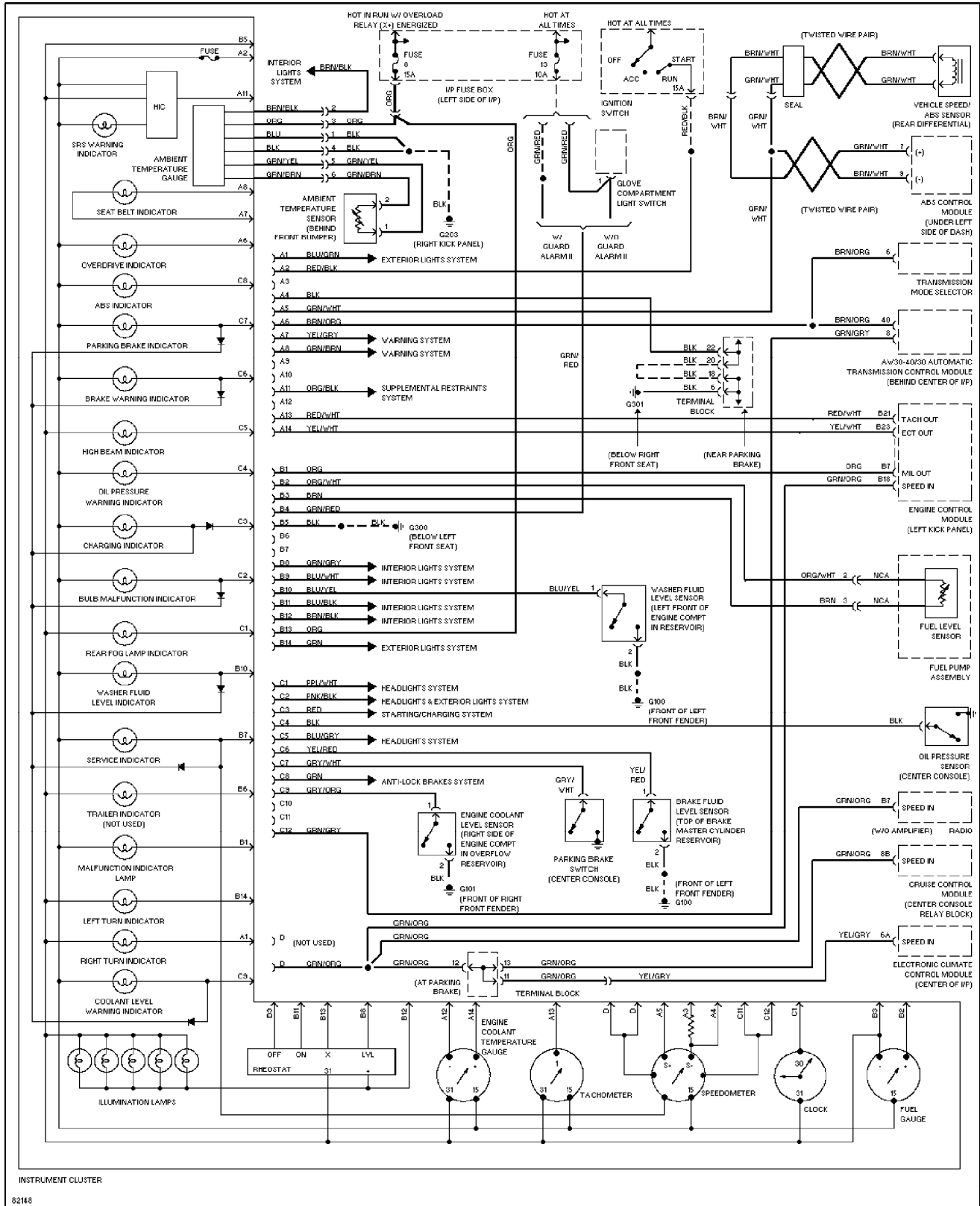
## Instrument Cluster Circuit

1996 Volvo 960

For x

Copyright © 1998 Mitchell Repair Information Company, LLC

Saturday, July 24, 2004 11:09AM





# SYSTEM WIRING DIAGRAMS

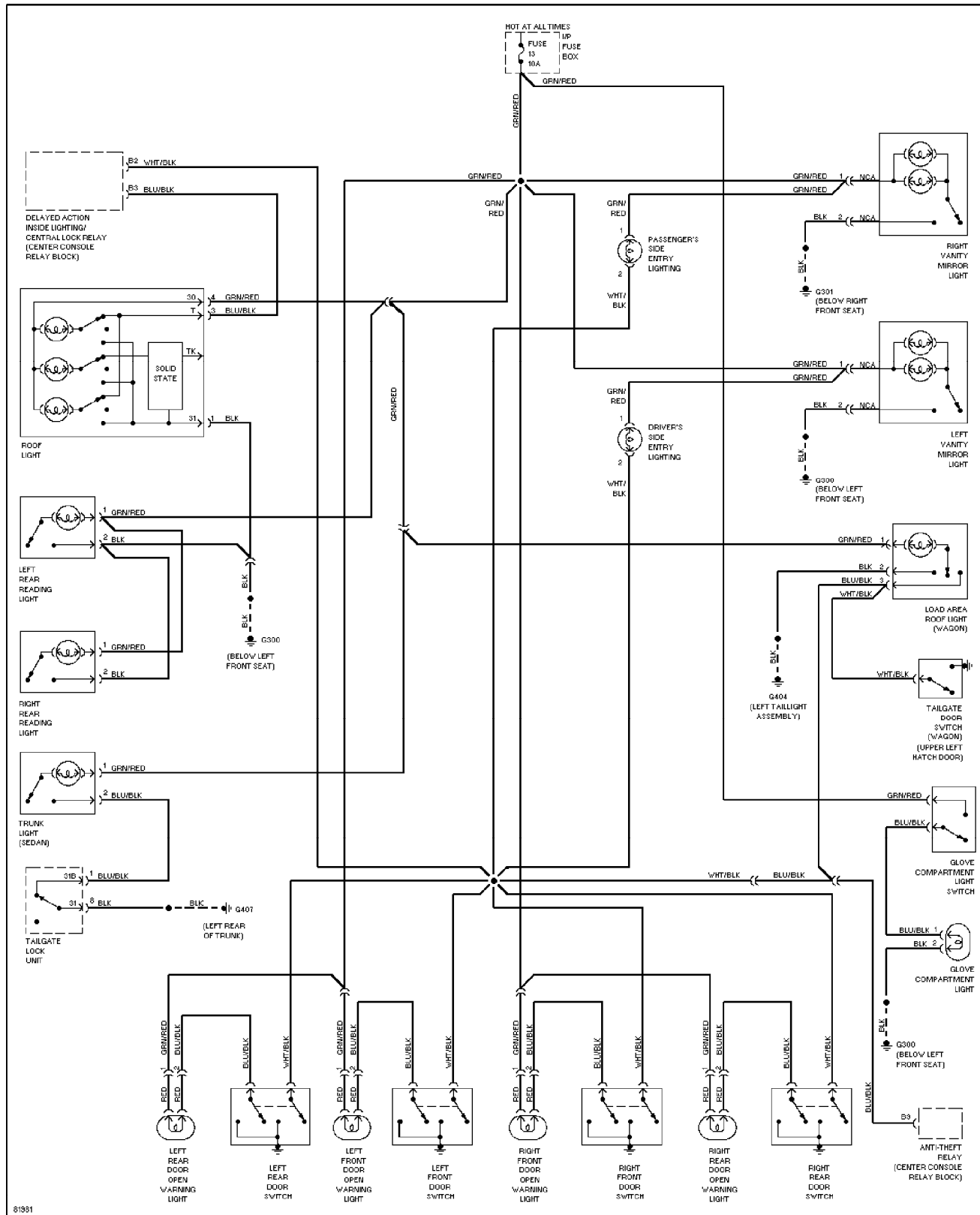
## Courtesy Lamps Circuit

1996 Volvo 960

For x

Copyright © 1998 Mitchell Repair Information Company, LLC

Saturday, July 24, 2004 11:09AM



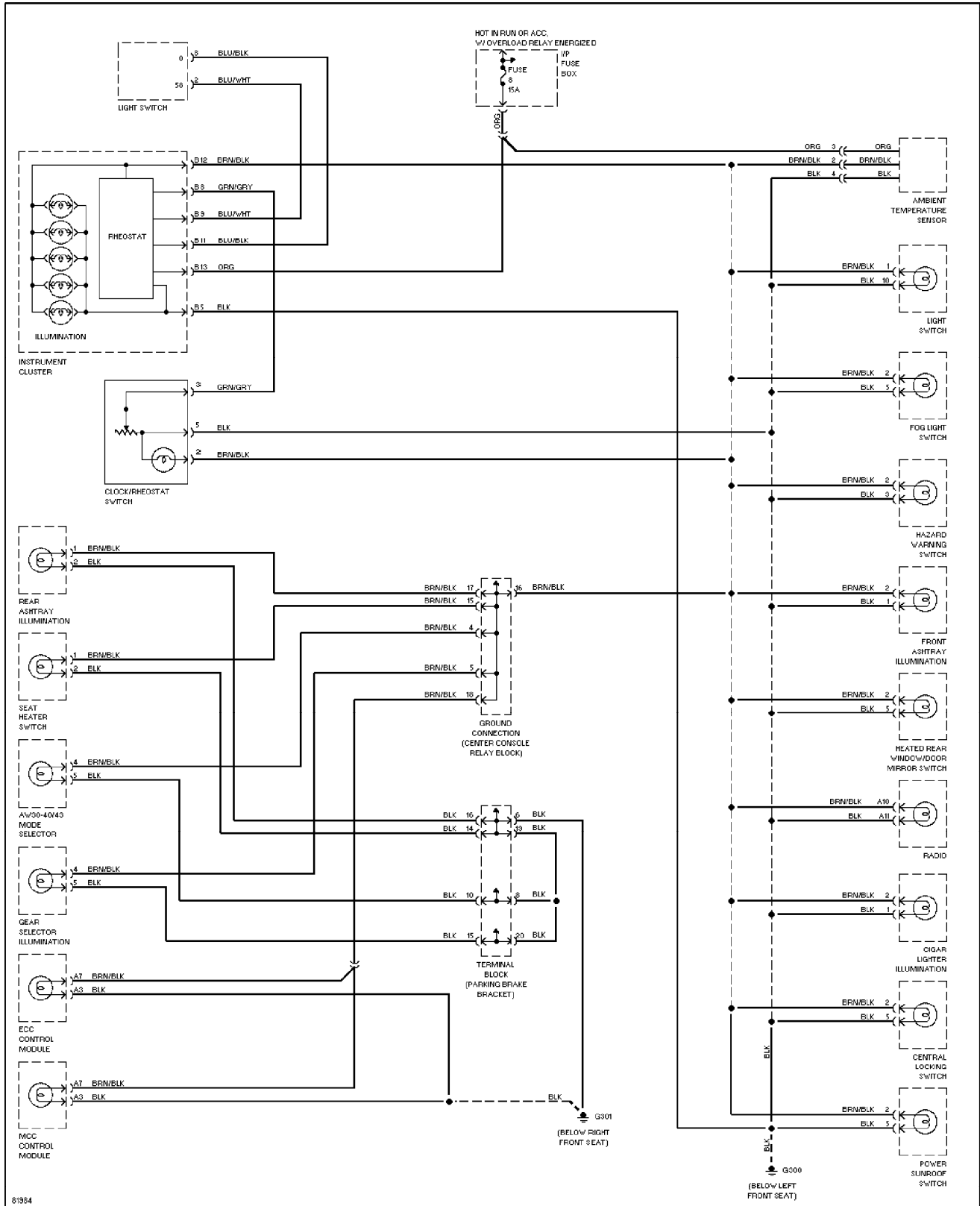
# SYSTEM WIRING DIAGRAMS

## Instrument Illumination Circuit

1996 Volvo 960

For x

Copyright © 1998 Mitchell Repair Information Company, LLC  
Saturday, July 24, 2004 11:09AM



# SYSTEM WIRING DIAGRAMS

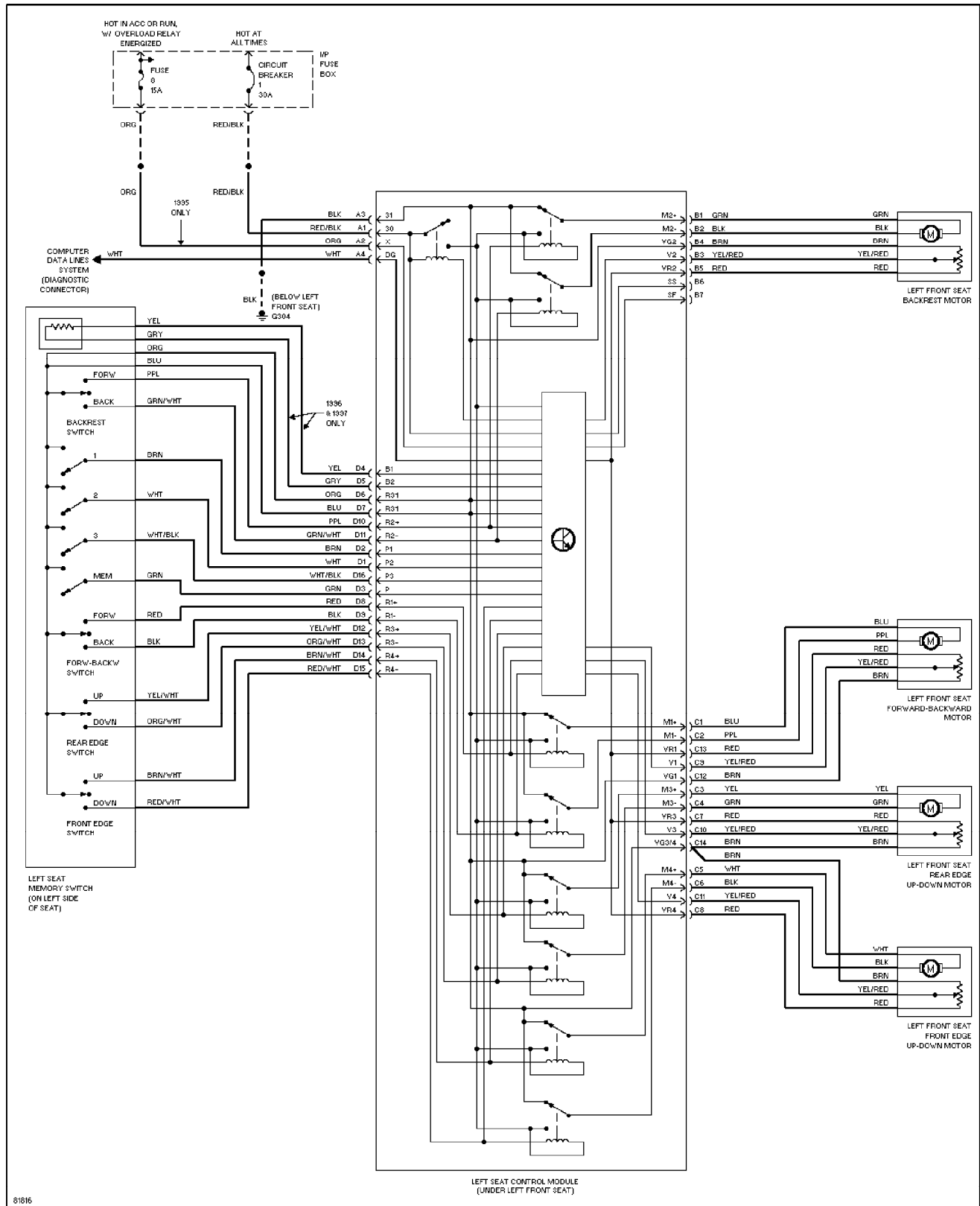
## Memory Seat Circuit

1996 Volvo 960

For x

Copyright © 1998 Mitchell Repair Information Company, LLC

Saturday, July 24, 2004 11:09AM



# SYSTEM WIRING DIAGRAMS

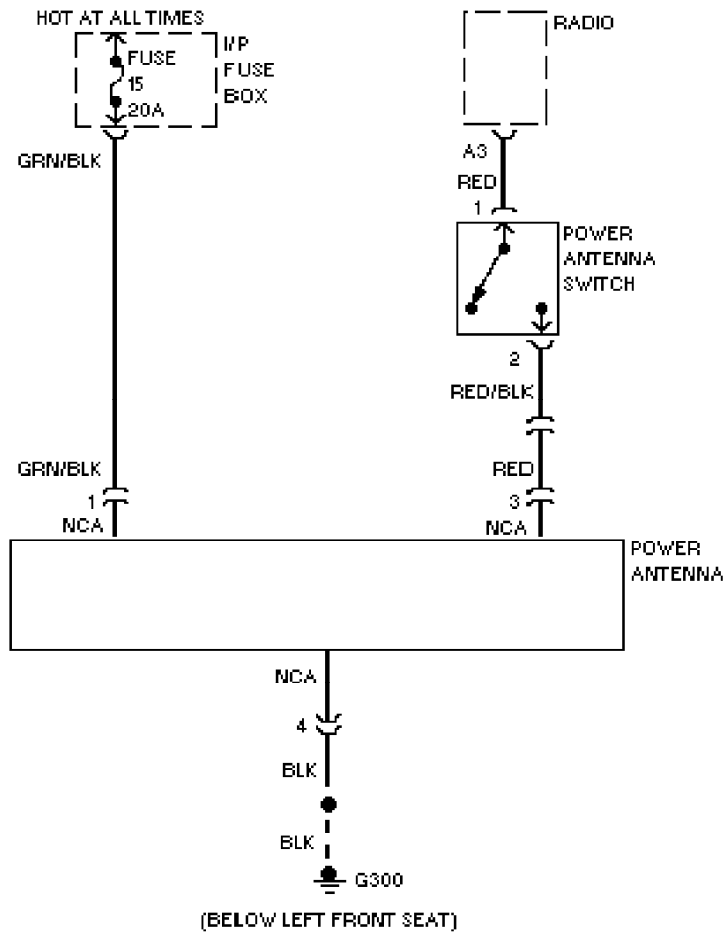
## Power Antenna Circuit

1996 Volvo 960

For x

Copyright © 1998 Mitchell Repair Information Company, LLC

Saturday, July 24, 2004 11:09AM



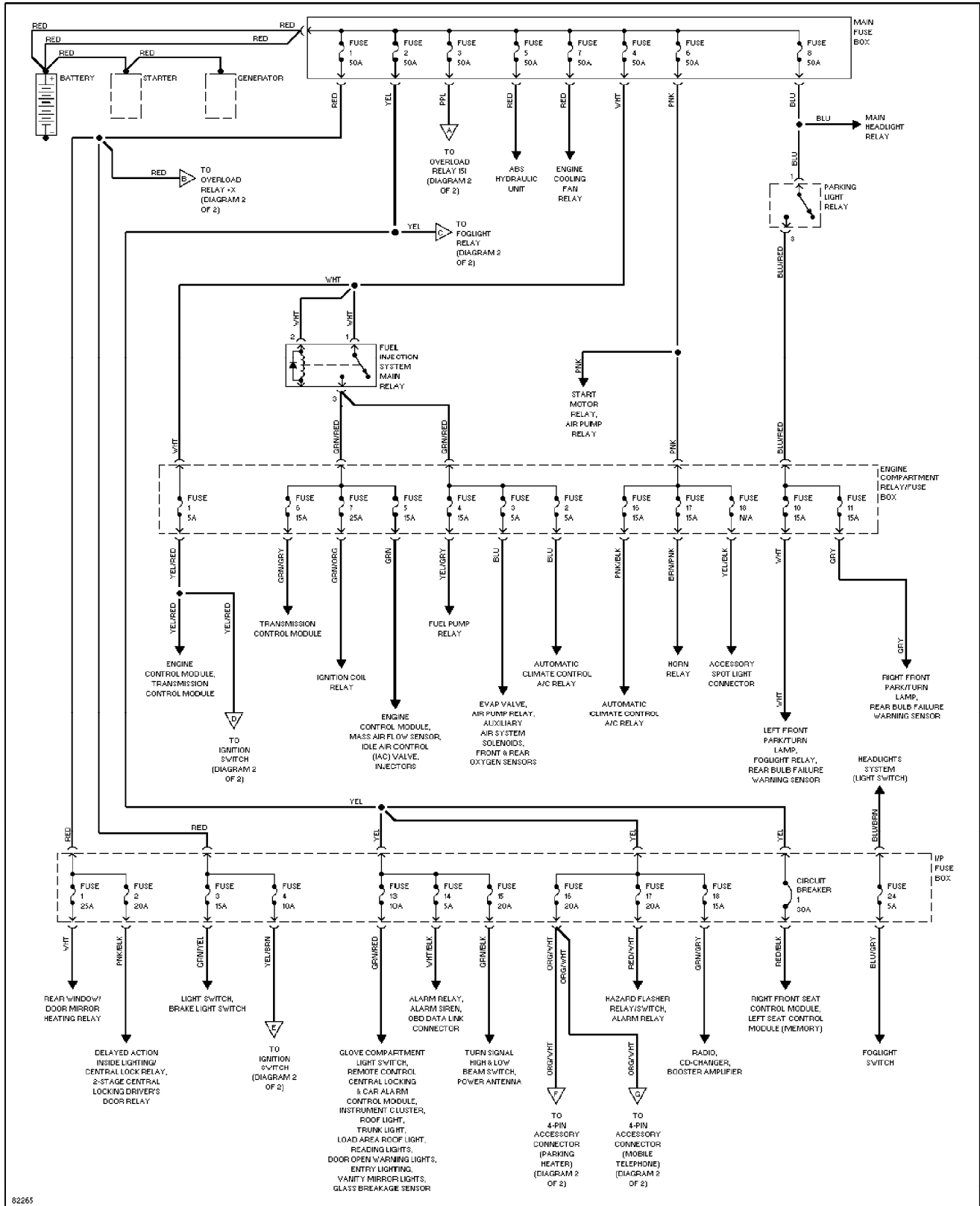
# SYSTEM WIRING DIAGRAMS

## Power Distribution Circuit (1 of 2)

1996 Volvo 960

For x

Copyright © 1998 Mitchell Repair Information Company, LLC  
 Saturday, July 24, 2004 11:09AM



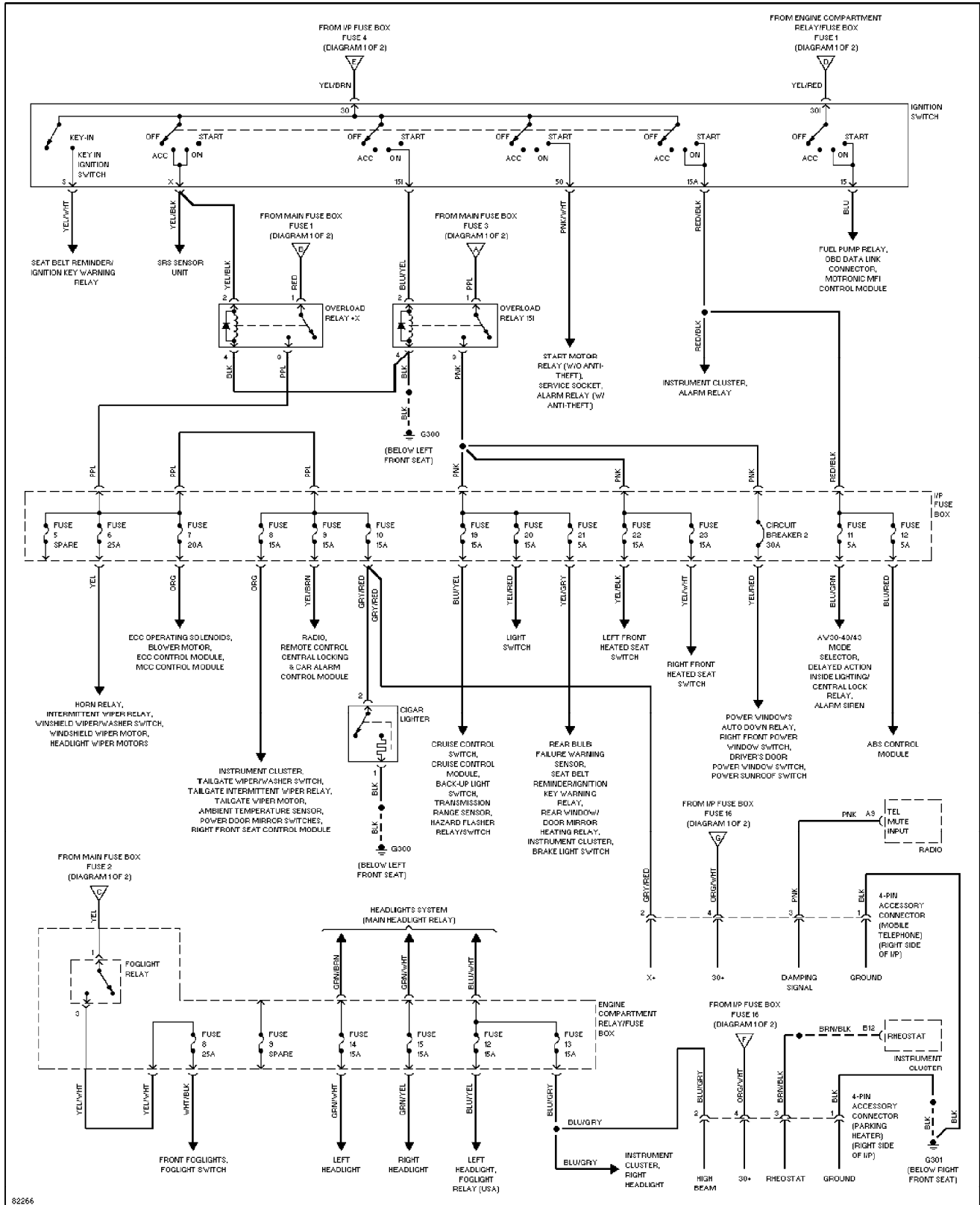
# SYSTEM WIRING DIAGRAMS

## Power Distribution Circuit (2 of 2)

1996 Volvo 960

For x

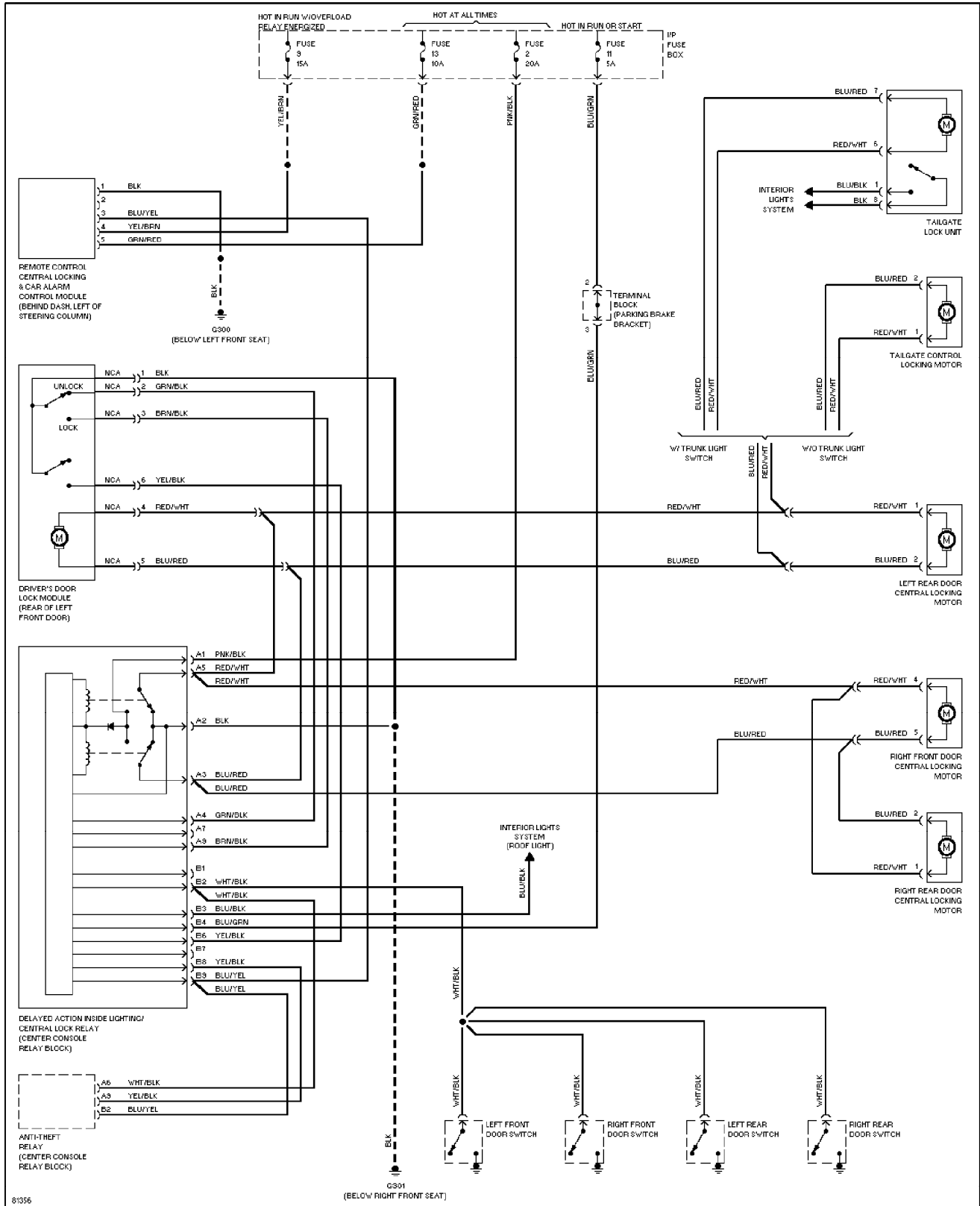
Copyright © 1998 Mitchell Repair Information Company, LLC  
Saturday, July 24, 2004 11:09AM



# SYSTEM WIRING DIAGRAMS

## Power Door Lock Circuit, Except USA & Canada

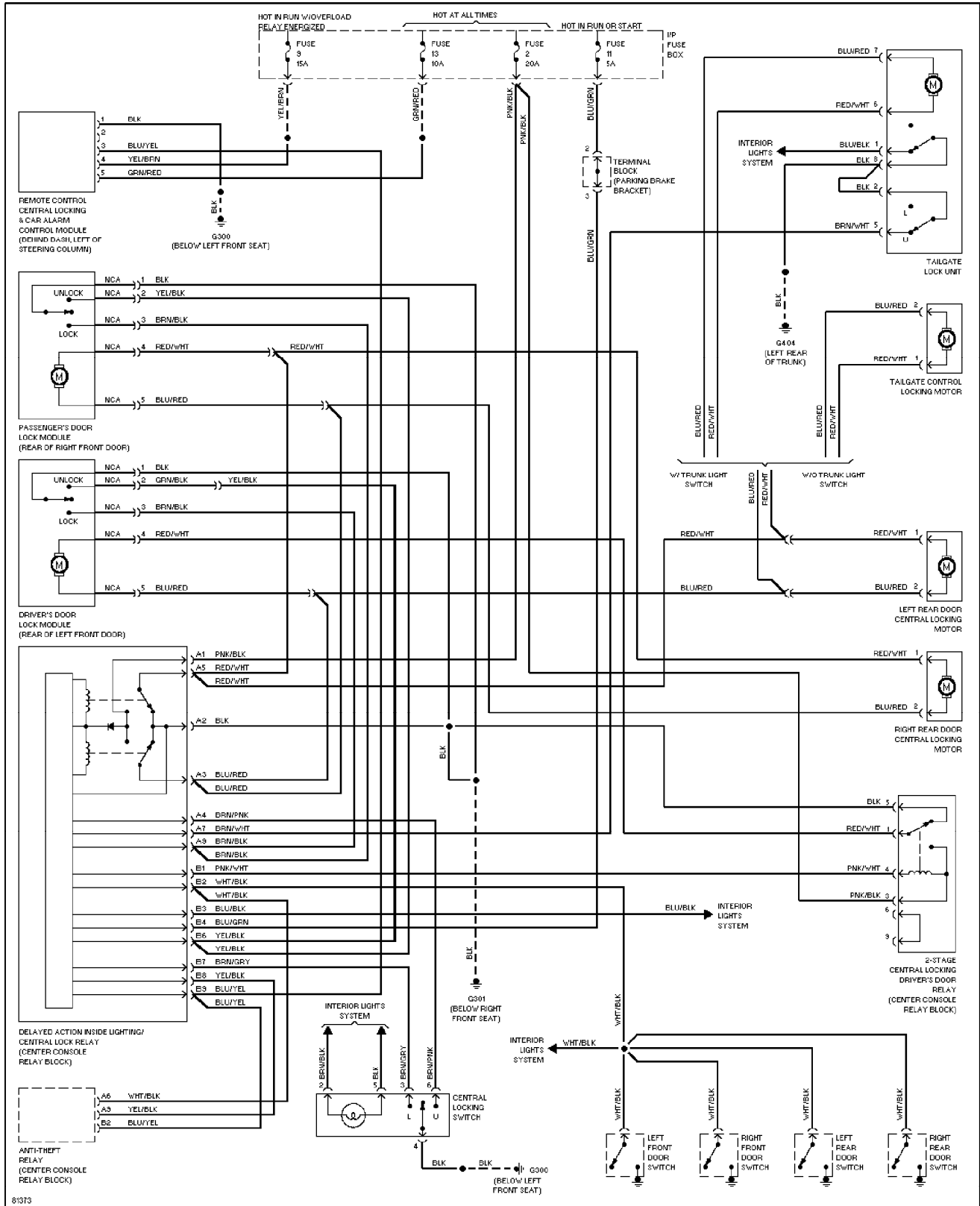
1996 Volvo 960  
For x  
Copyright © 1998 Mitchell Repair Information Company, LLC  
Saturday, July 24, 2004 11:09AM



# SYSTEM WIRING DIAGRAMS

## Power Door Lock Circuit, USA & Canada

1996 Volvo 960  
For x  
Copyright © 1998 Mitchell Repair Information Company, LLC  
Saturday, July 24, 2004 11:09AM





# SYSTEM WIRING DIAGRAMS

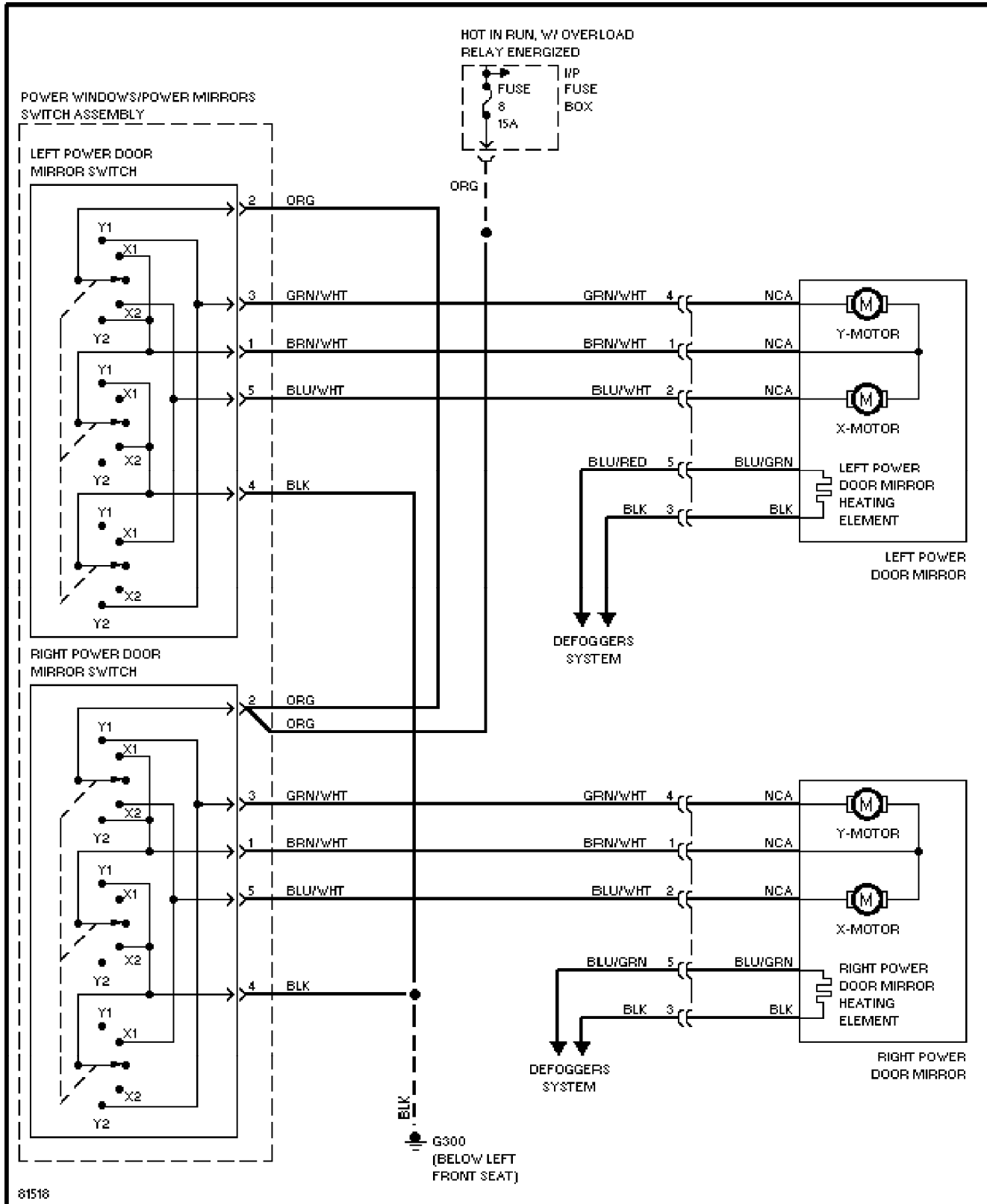
## Power Mirror Circuit

1996 Volvo 960

For x

Copyright © 1998 Mitchell Repair Information Company, LLC

Saturday, July 24, 2004 11:09AM



# SYSTEM WIRING DIAGRAMS

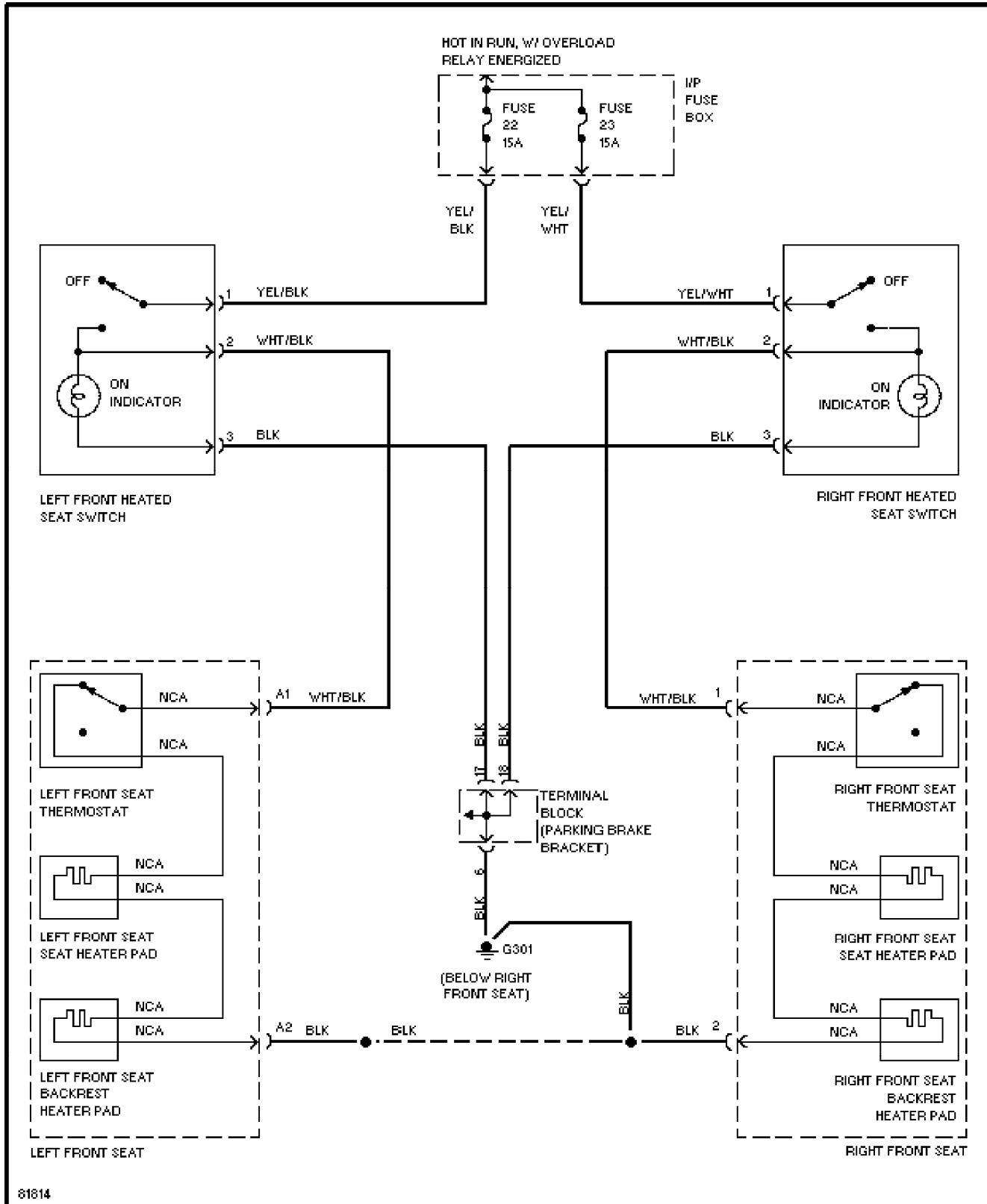
## Heated Seats Circuit

1996 Volvo 960

For x

Copyright © 1998 Mitchell Repair Information Company, LLC

Saturday, July 24, 2004 11:09AM



# SYSTEM WIRING DIAGRAMS

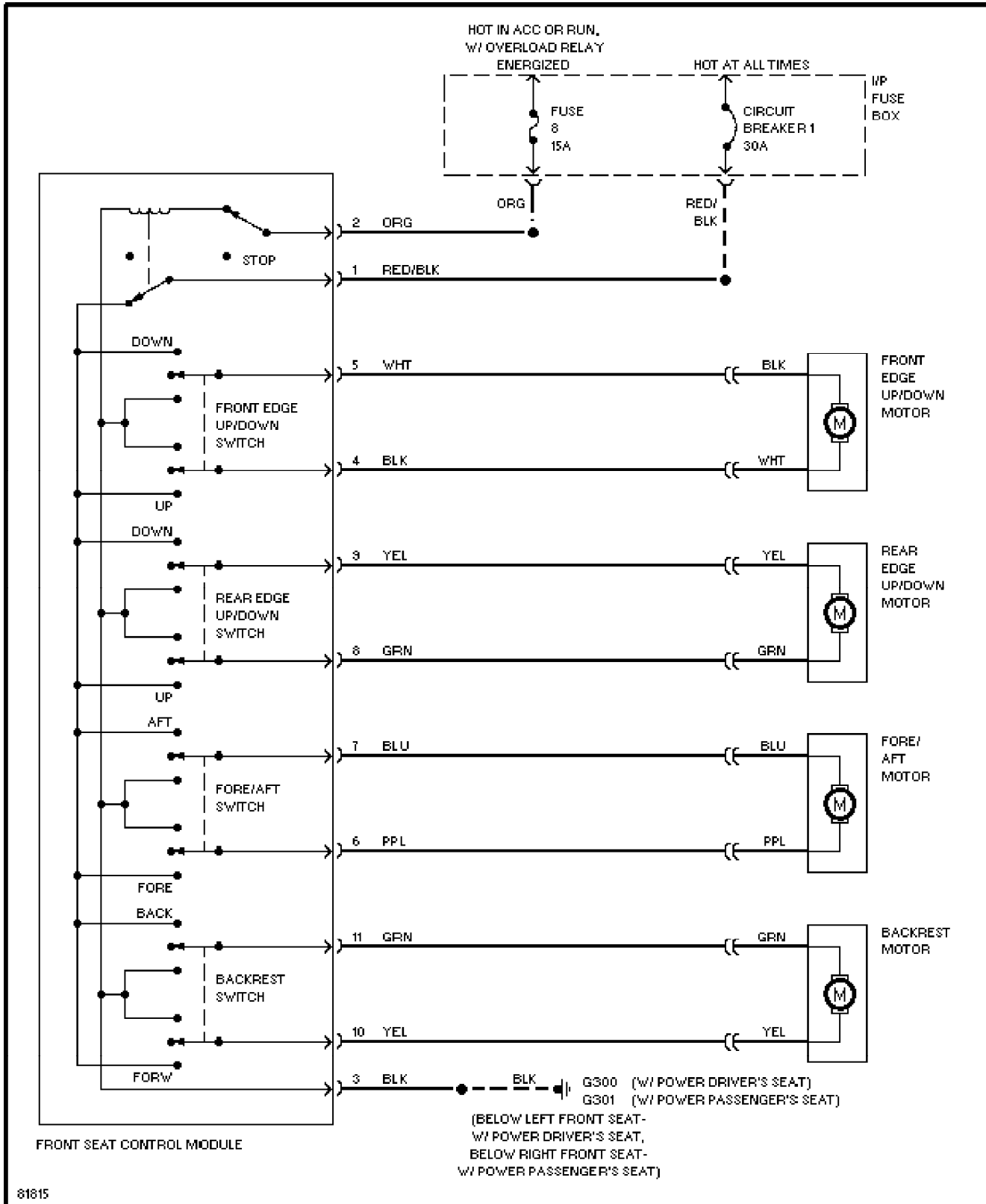
## Power Seats Circuit

1996 Volvo 960

For x

Copyright © 1998 Mitchell Repair Information Company, LLC

Saturday, July 24, 2004 11:09AM



# SYSTEM WIRING DIAGRAMS

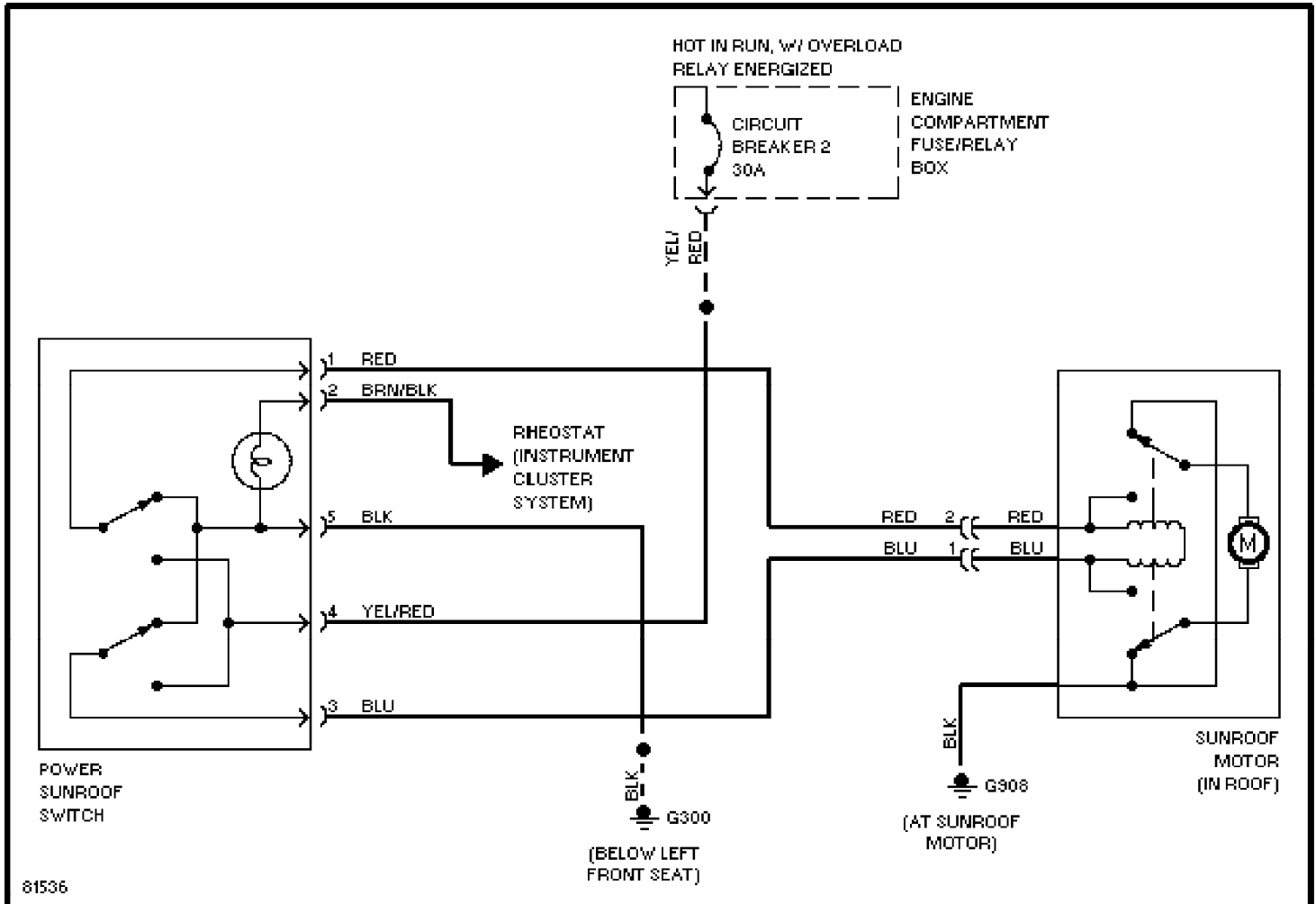
## Power Top/Sunroof Circuits

1996 Volvo 960

For x

Copyright © 1998 Mitchell Repair Information Company, LLC

Saturday, July 24, 2004 11:09AM



# SYSTEM WIRING DIAGRAMS

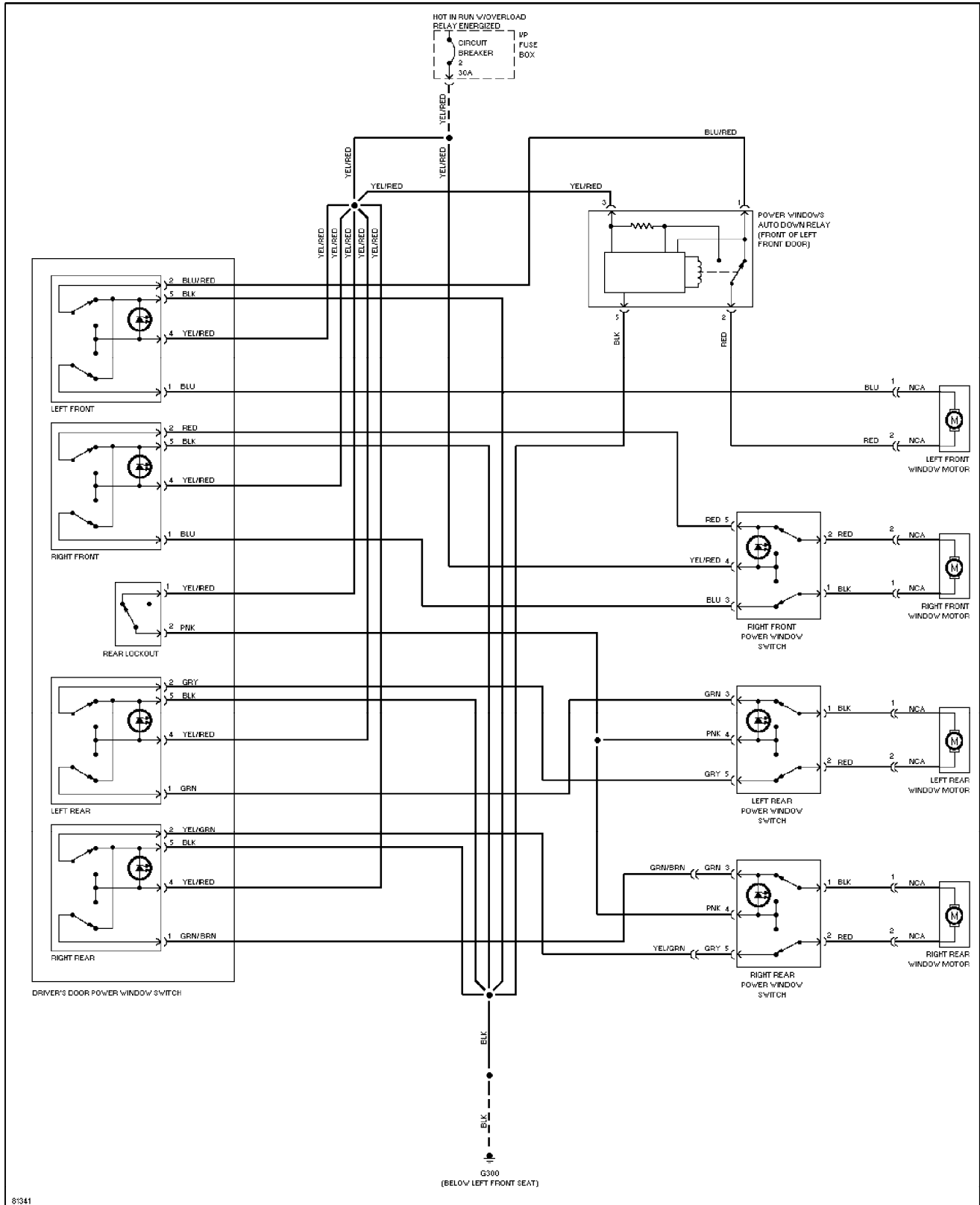
## Power Window Circuit

1996 Volvo 960

For x

Copyright © 1998 Mitchell Repair Information Company, LLC

Saturday, July 24, 2004 11:09AM



# SYSTEM WIRING DIAGRAMS

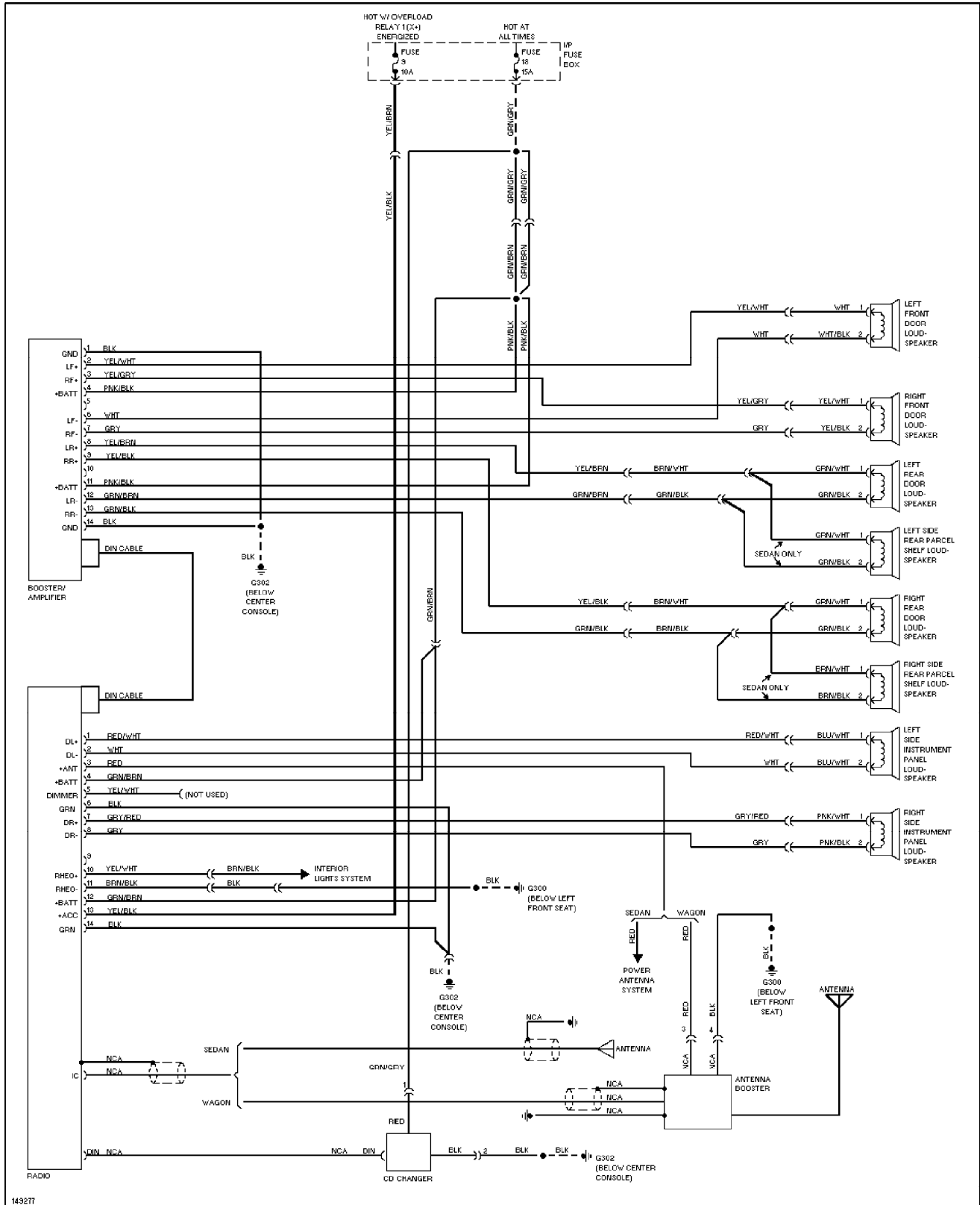
## Radio Circuits, W/ Amplifier

1996 Volvo 960

For x

Copyright © 1998 Mitchell Repair Information Company, LLC

Saturday, July 24, 2004 11:09AM



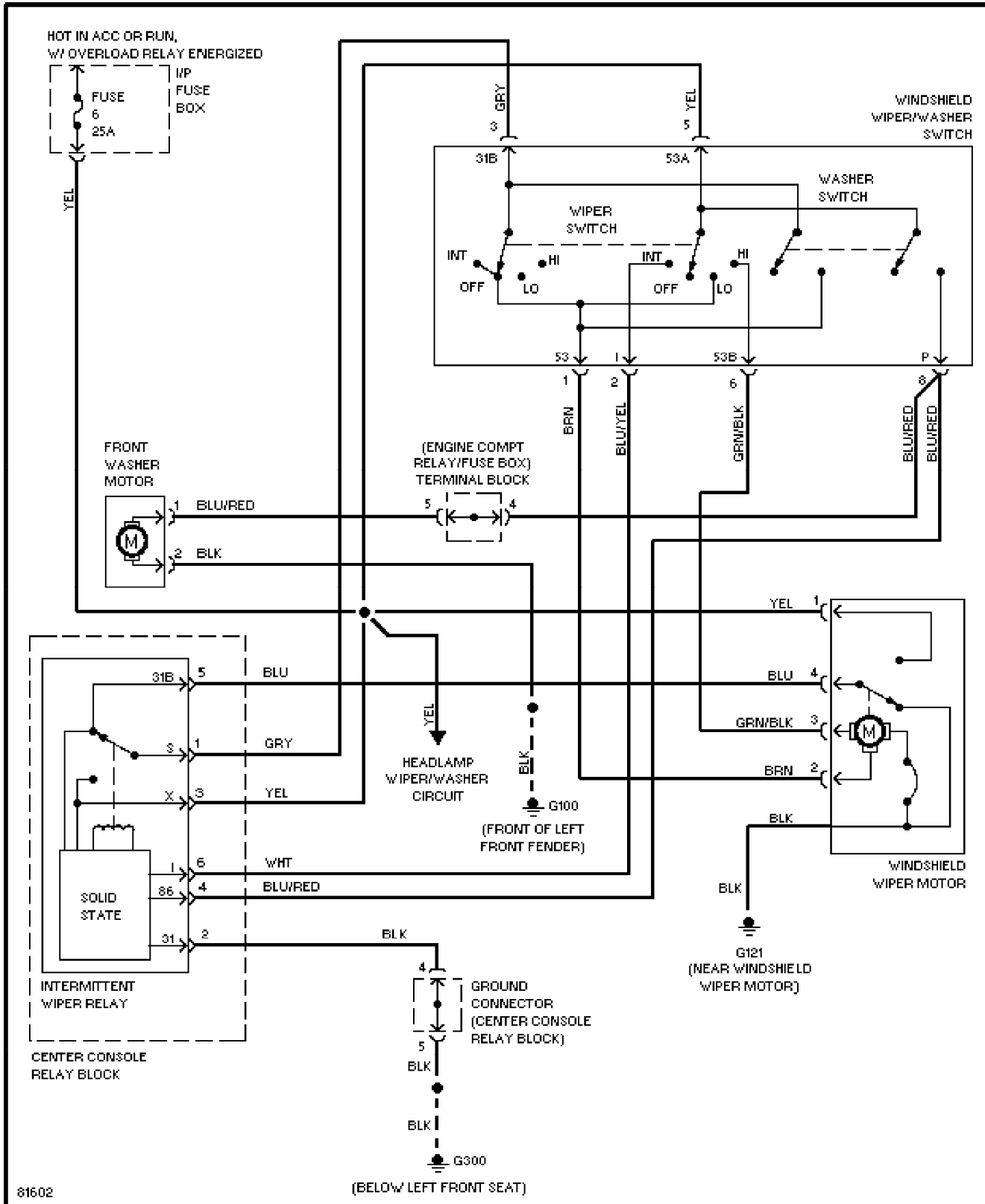
# SYSTEM WIRING DIAGRAMS

## Front Wiper/Washer Circuit

1996 Volvo 960

For x

Copyright © 1998 Mitchell Repair Information Company, LLC  
 Saturday, July 24, 2004 11:10AM



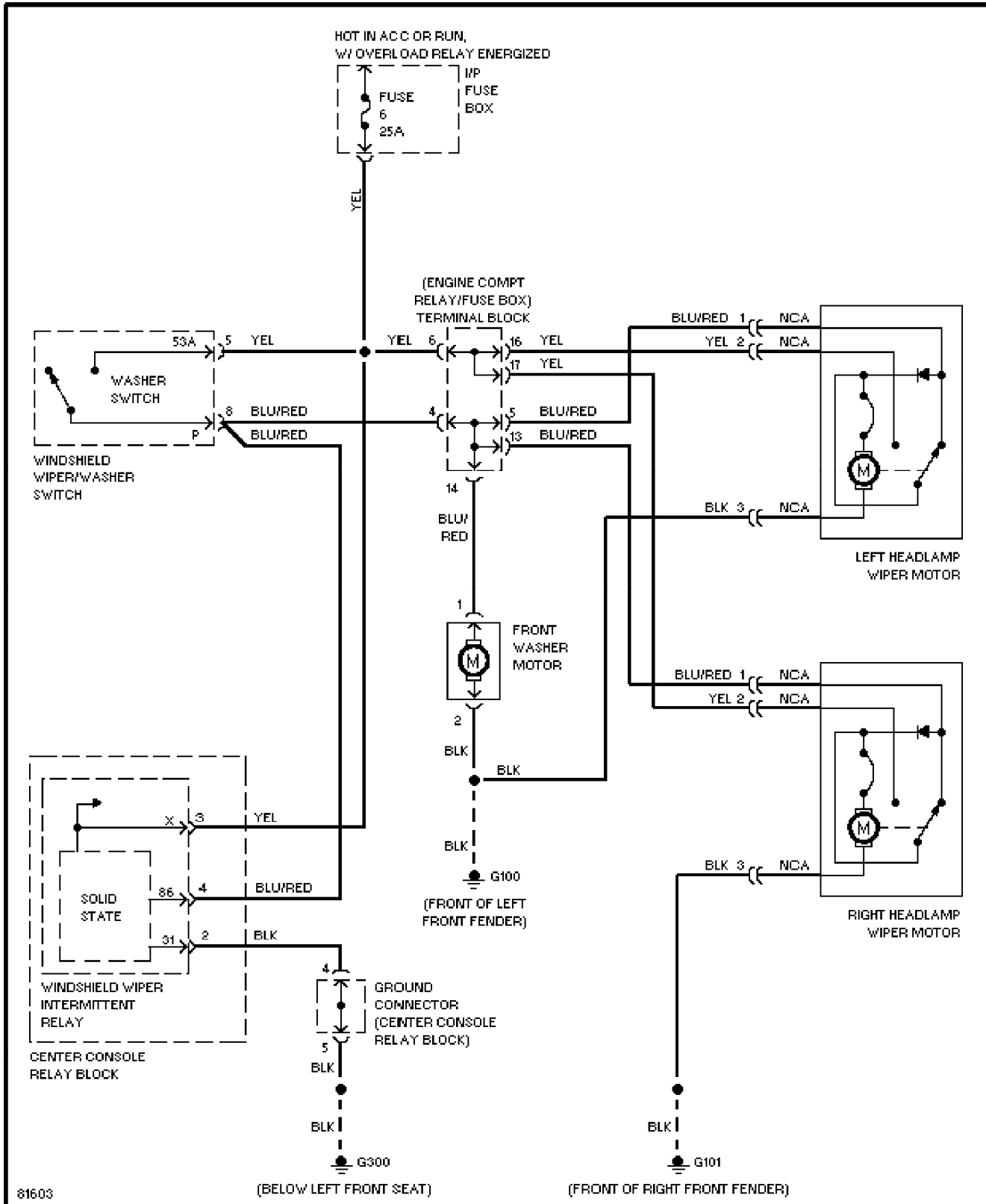
# SYSTEM WIRING DIAGRAMS

## Headlamp Wiper/Washer Circuit

1996 Volvo 960

For x

Copyright © 1998 Mitchell Repair Information Company, LLC  
Saturday, July 24, 2004 11:11AM





# SYSTEM WIRING DIAGRAMS

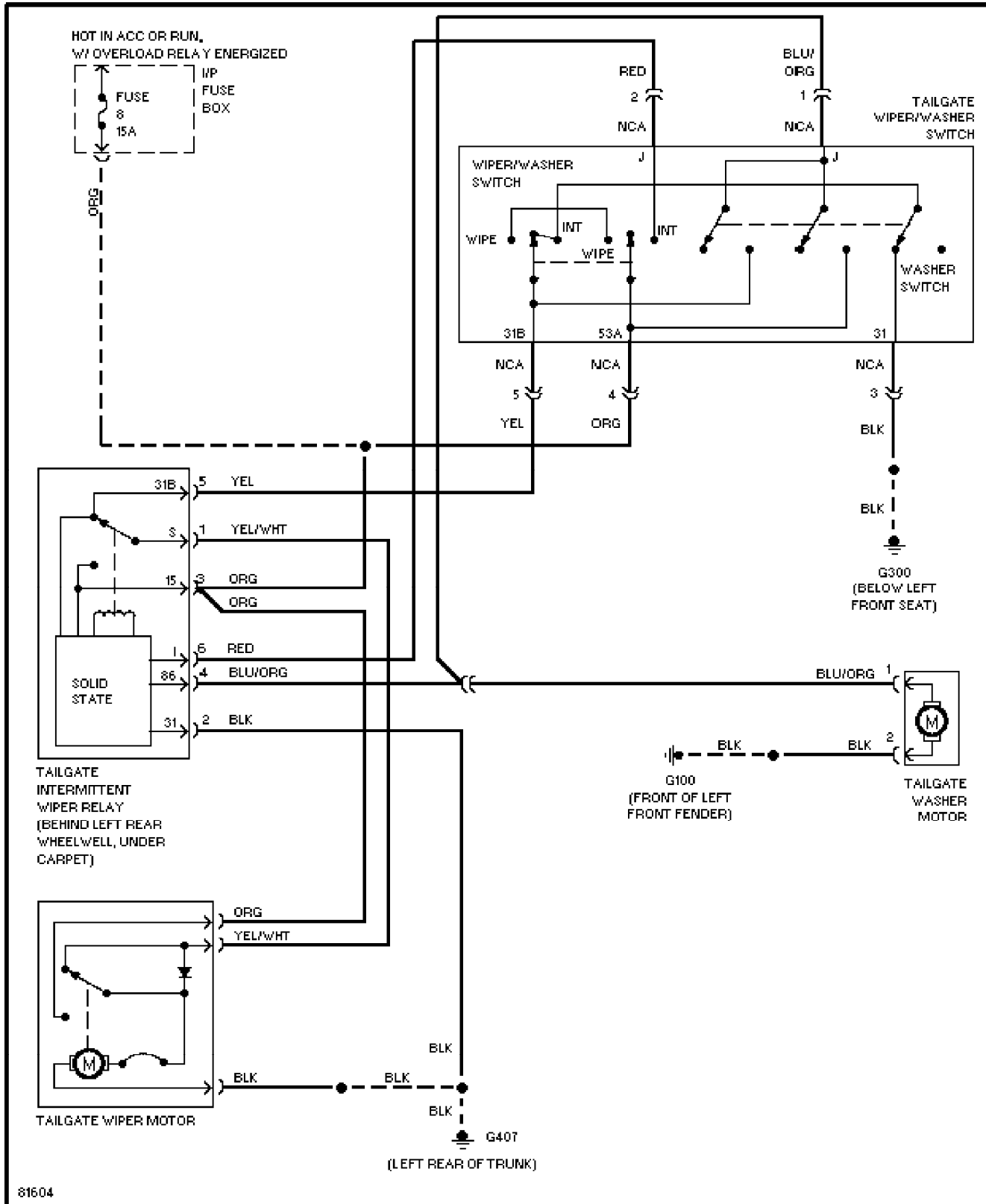
## Rear Wiper/Washer Circuit

1996 Volvo 960

For x

Copyright © 1998 Mitchell Repair Information Company, LLC

Saturday, July 24, 2004 11:11AM



# SYSTEM WIRING DIAGRAMS

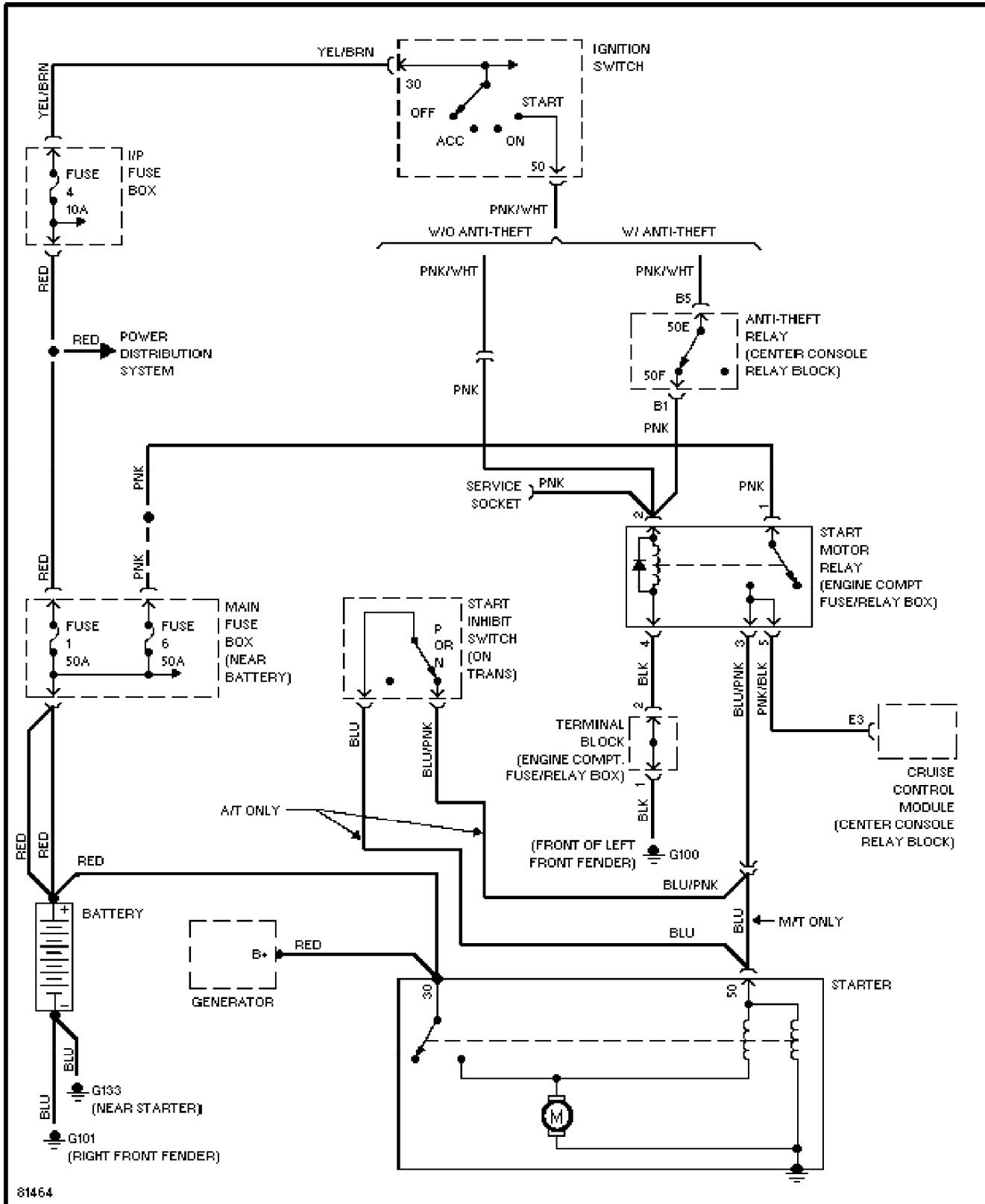
## Starting Circuit

1996 Volvo 960

For x

Copyright © 1998 Mitchell Repair Information Company, LLC

Saturday, July 24, 2004 11:10AM



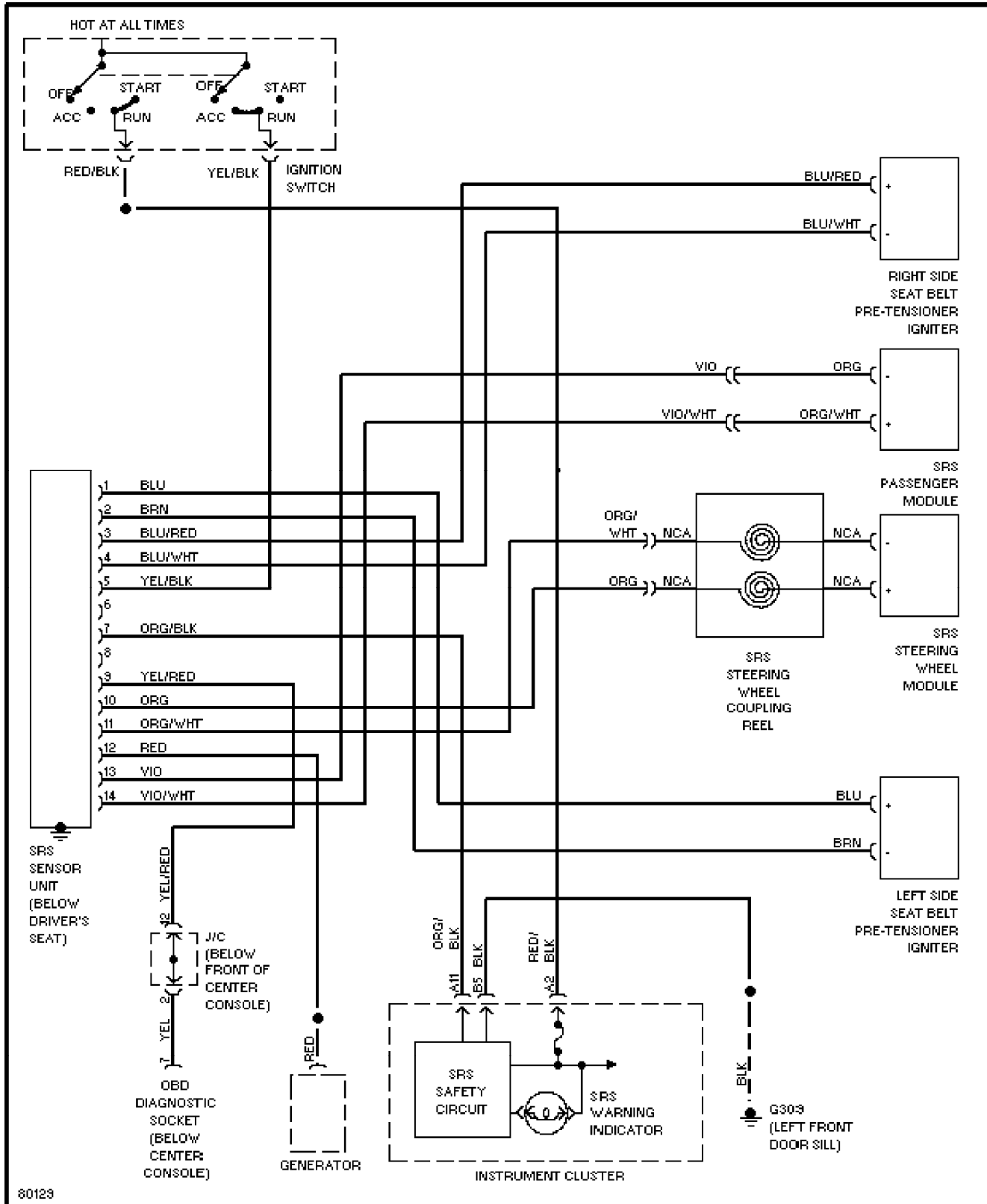
# SYSTEM WIRING DIAGRAMS

## Supplemental Restraint Circuit

1996 Volvo 960

For x

Copyright © 1998 Mitchell Repair Information Company, LLC  
 Saturday, July 24, 2004 11:10AM



# SYSTEM WIRING DIAGRAMS

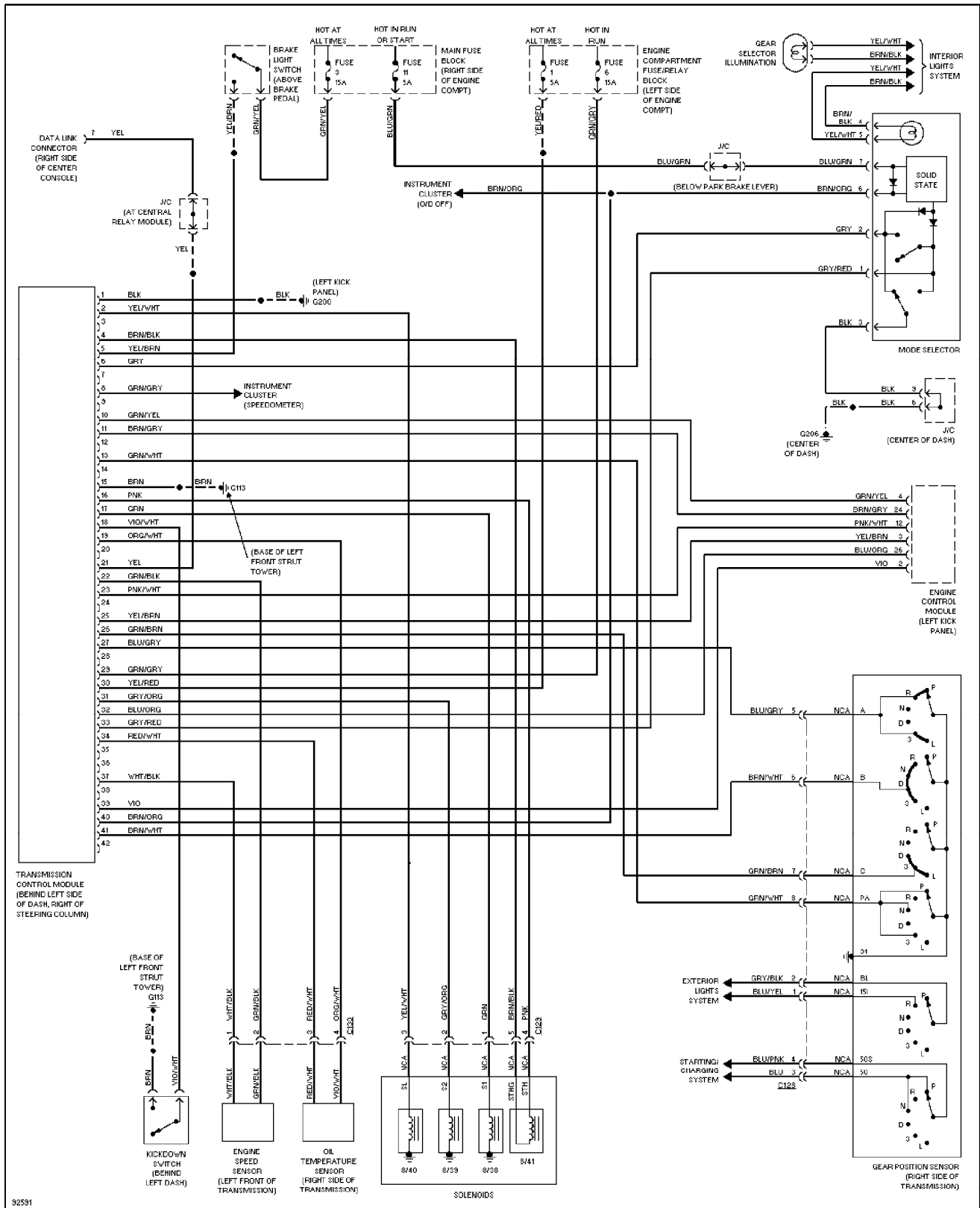
## Transmission Circuit

1996 Volvo 960

For x

Copyright © 1998 Mitchell Repair Information Company, LLC

Saturday, July 24, 2004 11:10AM



# SYSTEM WIRING DIAGRAMS

## Warning System Circuits

1996 Volvo 960

For x

Copyright © 1998 Mitchell Repair Information Company, LLC

Saturday, July 24, 2004 11:10AM

