

# SYSTEM WIRING DIAGRAMS

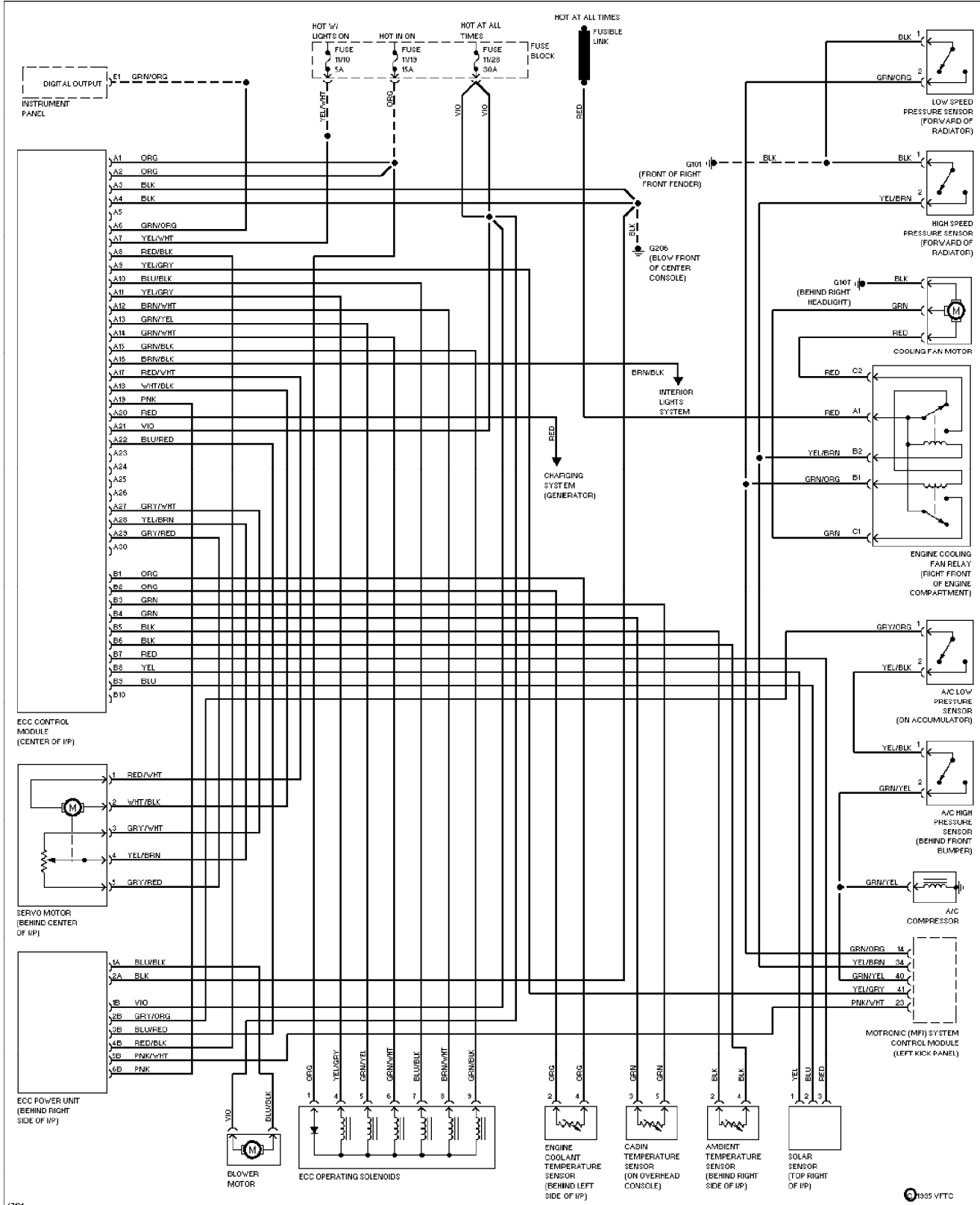
## Air Conditioning Circuits

1994 Volvo 960

For x

Copyright © 1998 Mitchell Repair Information Company, LLC

Saturday, July 24, 2004 10:02AM



# SYSTEM WIRING DIAGRAMS

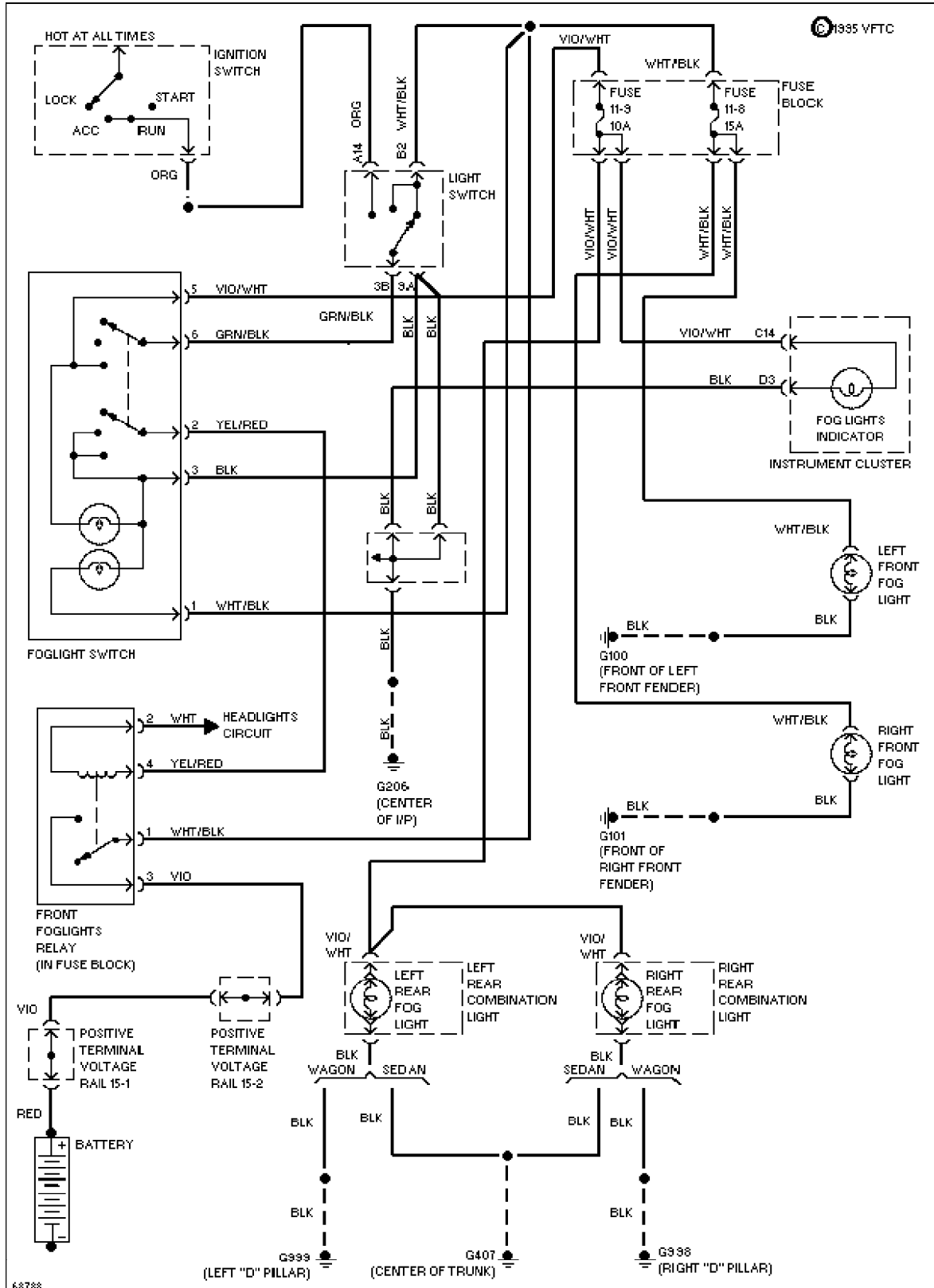
## Fog Lamps Circuit

1994 Volvo 960

For x

Copyright © 1998 Mitchell Repair Information Company, LLC

Saturday, July 24, 2004 10:04AM



# SYSTEM WIRING DIAGRAMS

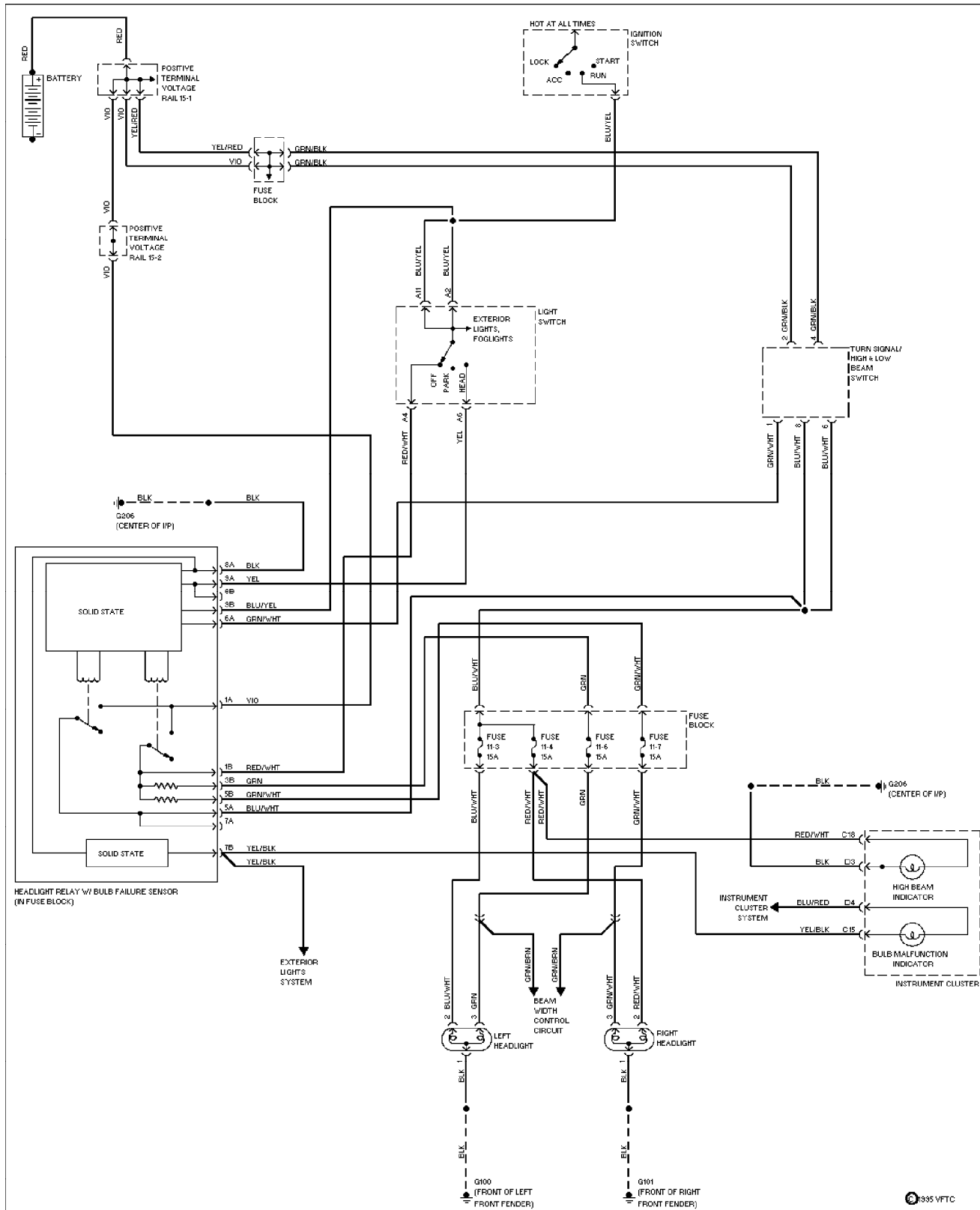
## Headlamps Circuit, W/ DRL

1994 Volvo 960

For x

Copyright © 1998 Mitchell Repair Information Company, LLC

Saturday, July 24, 2004 10:04AM



# SYSTEM WIRING DIAGRAMS

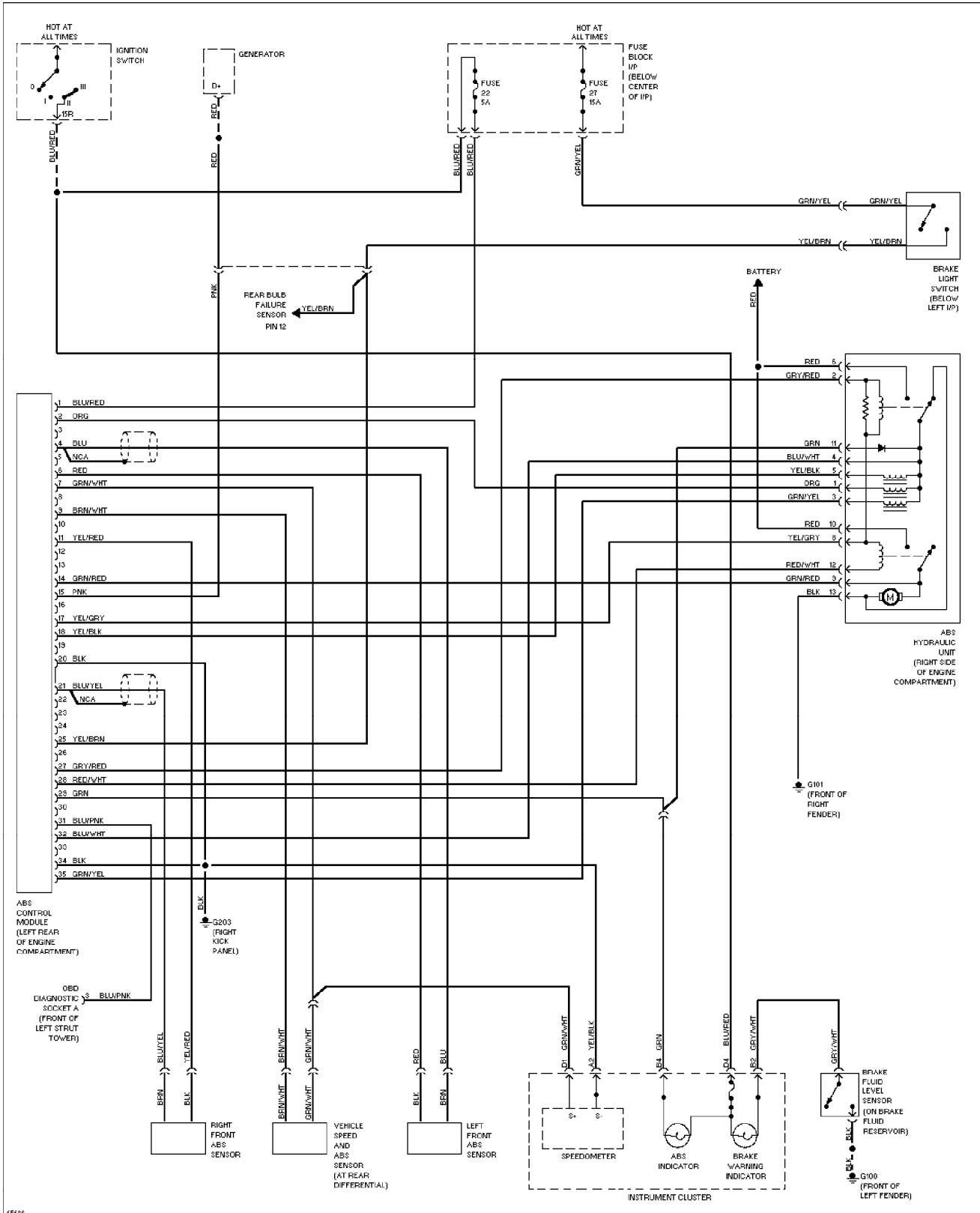
## Anti-lock Brake Circuits

1994 Volvo 960

For x

Copyright © 1998 Mitchell Repair Information Company, LLC

Saturday, July 24, 2004 10:03AM



# SYSTEM WIRING DIAGRAMS

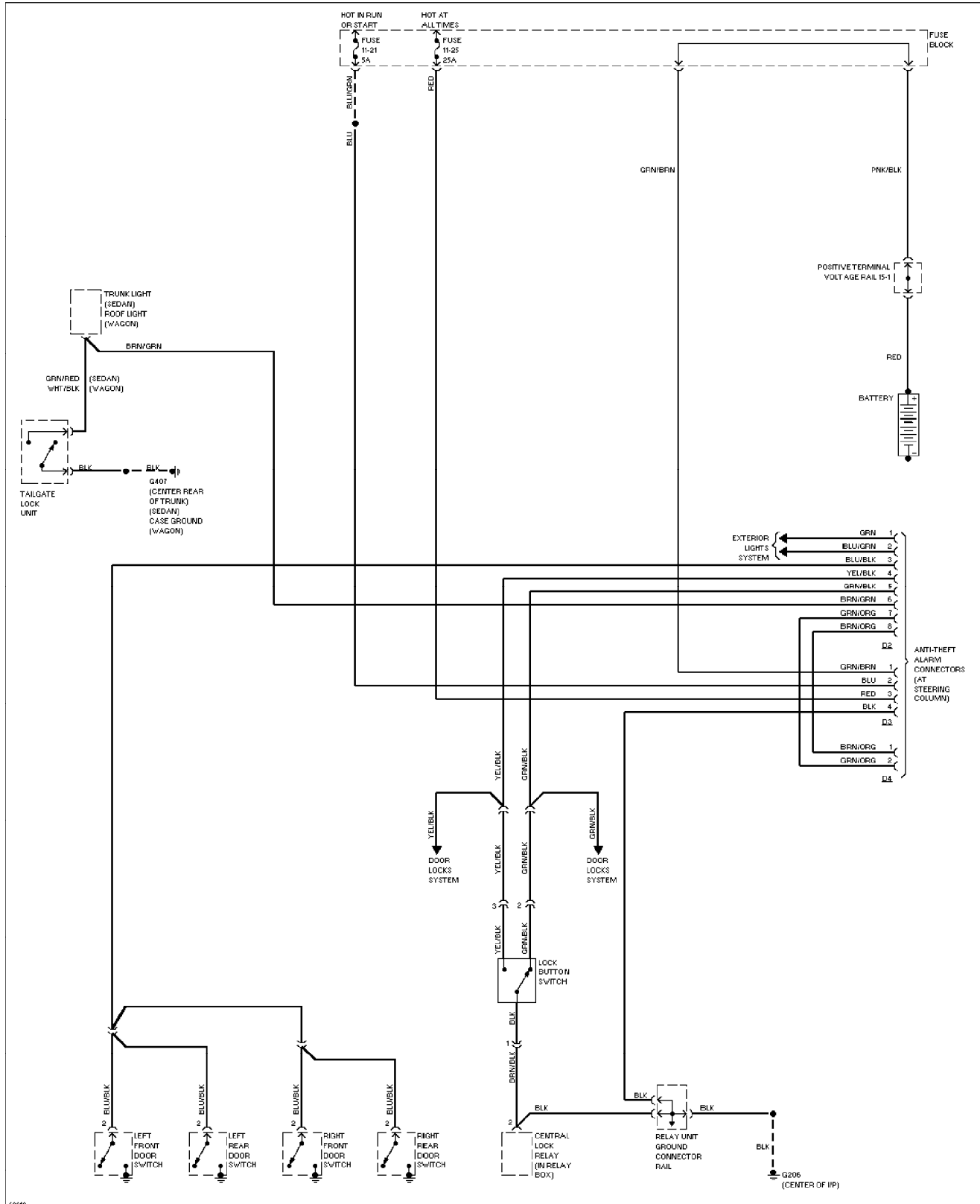
## Anti-theft Circuit

1994 Volvo 960

For x

Copyright © 1998 Mitchell Repair Information Company, LLC

Saturday, July 24, 2004 10:03AM



# SYSTEM WIRING DIAGRAMS

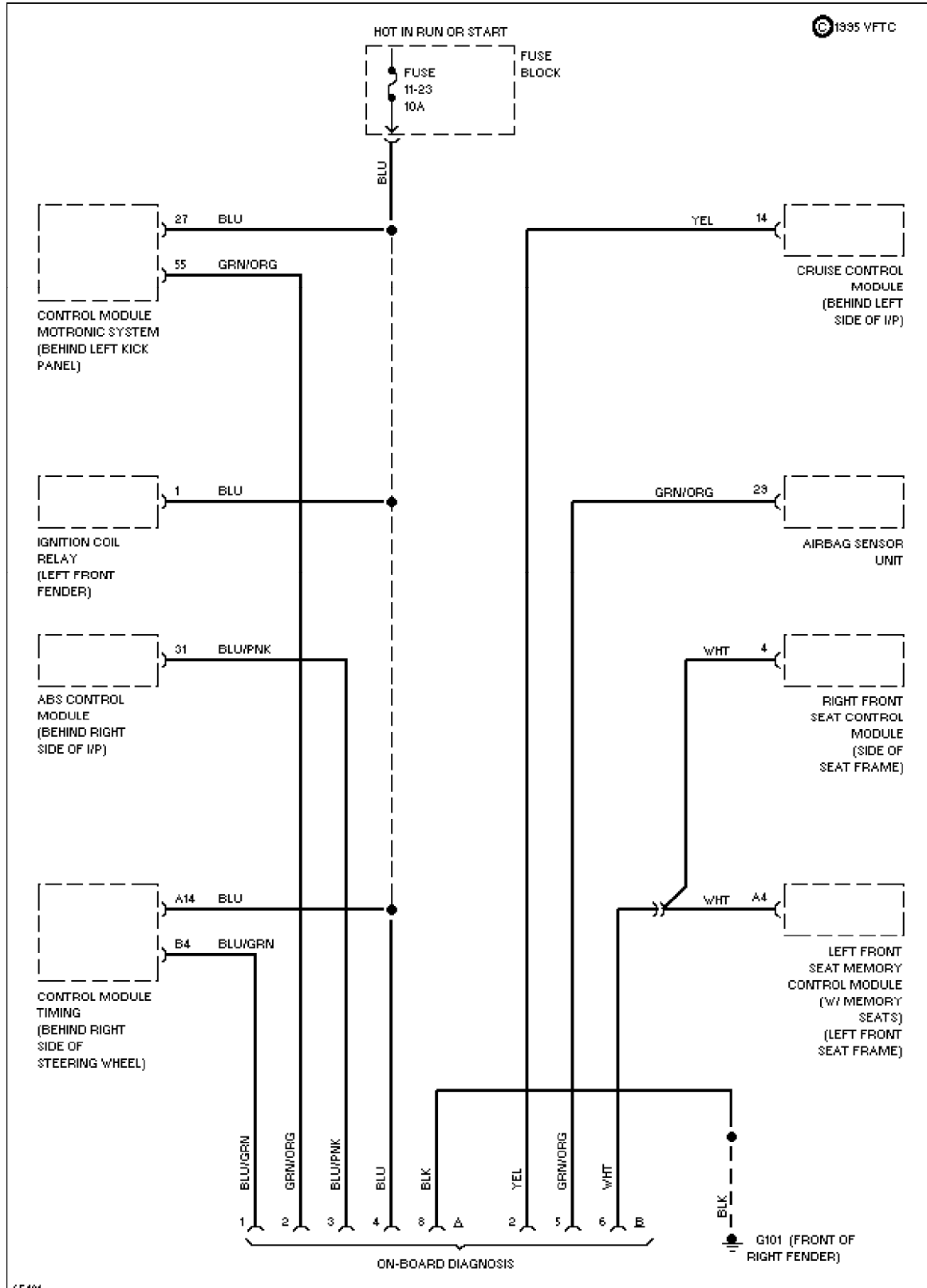
## Computer Data Lines

1994 Volvo 960

For x

Copyright © 1998 Mitchell Repair Information Company, LLC

Saturday, July 24, 2004 10:03AM



# SYSTEM WIRING DIAGRAMS

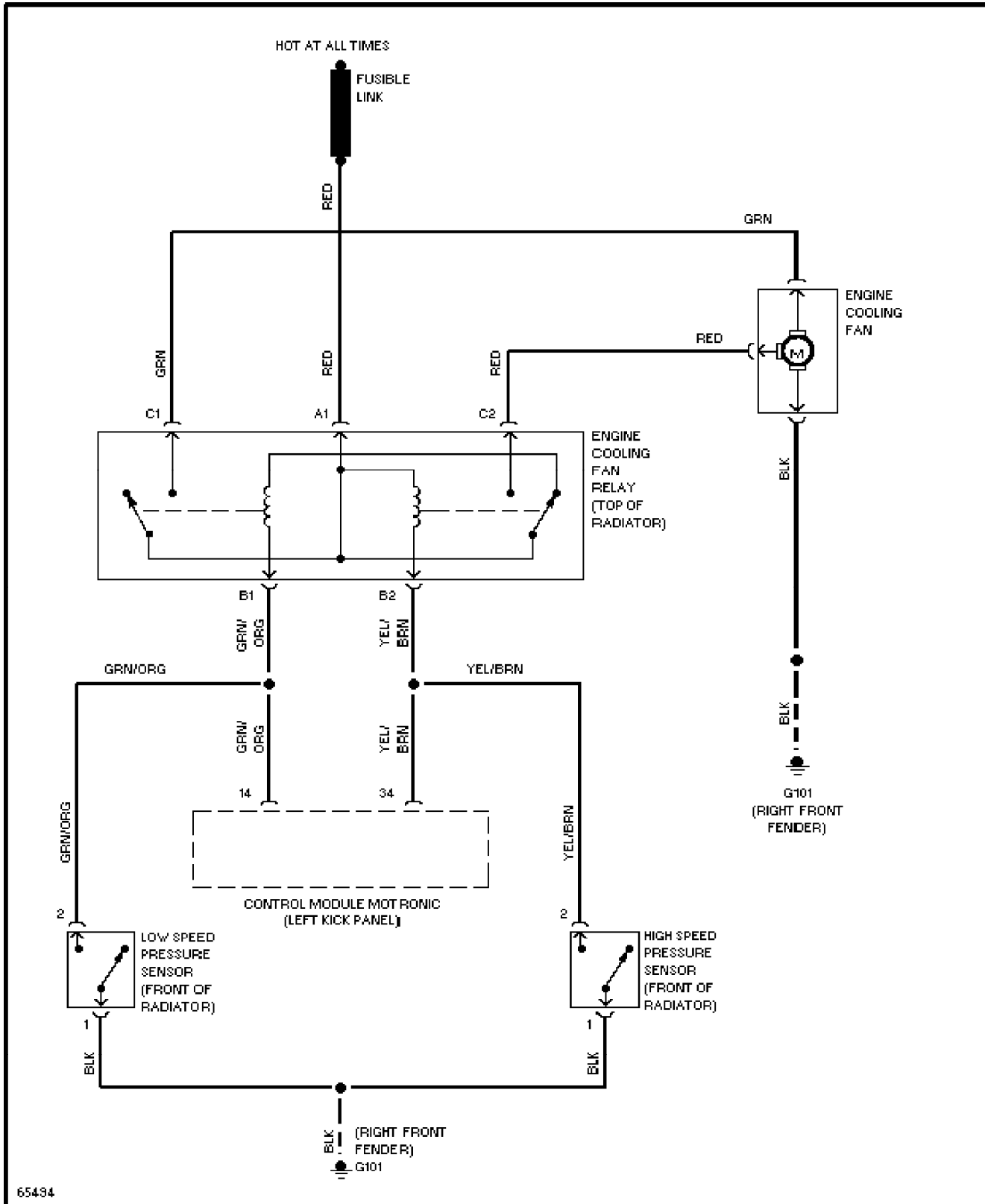
## Cooling Fan Circuit

1994 Volvo 960

For x

Copyright © 1998 Mitchell Repair Information Company, LLC

Saturday, July 24, 2004 10:03AM







# SYSTEM WIRING DIAGRAMS

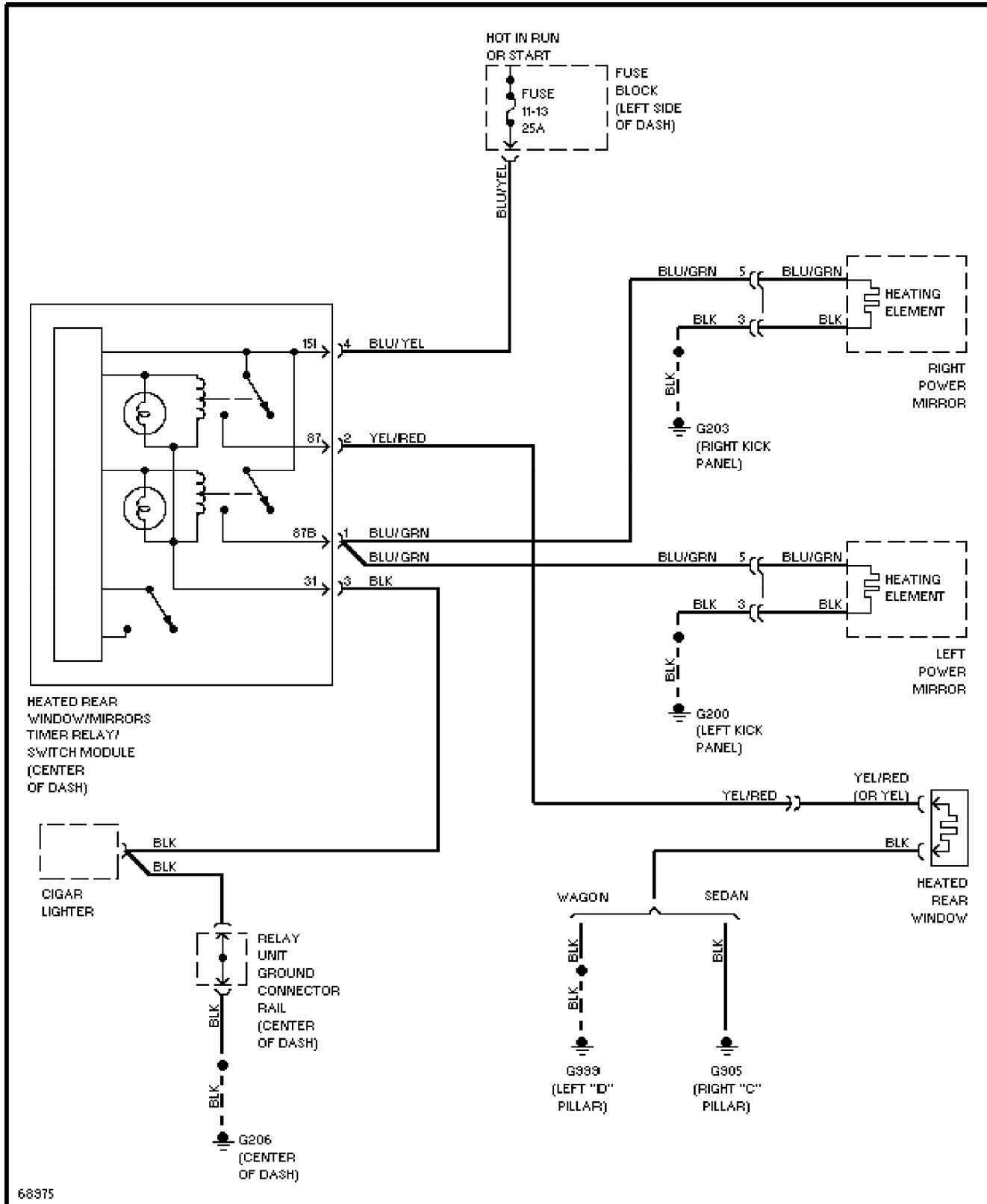
## Defogger Circuit

1994 Volvo 960

For x

Copyright © 1998 Mitchell Repair Information Company, LLC

Saturday, July 24, 2004 10:04AM



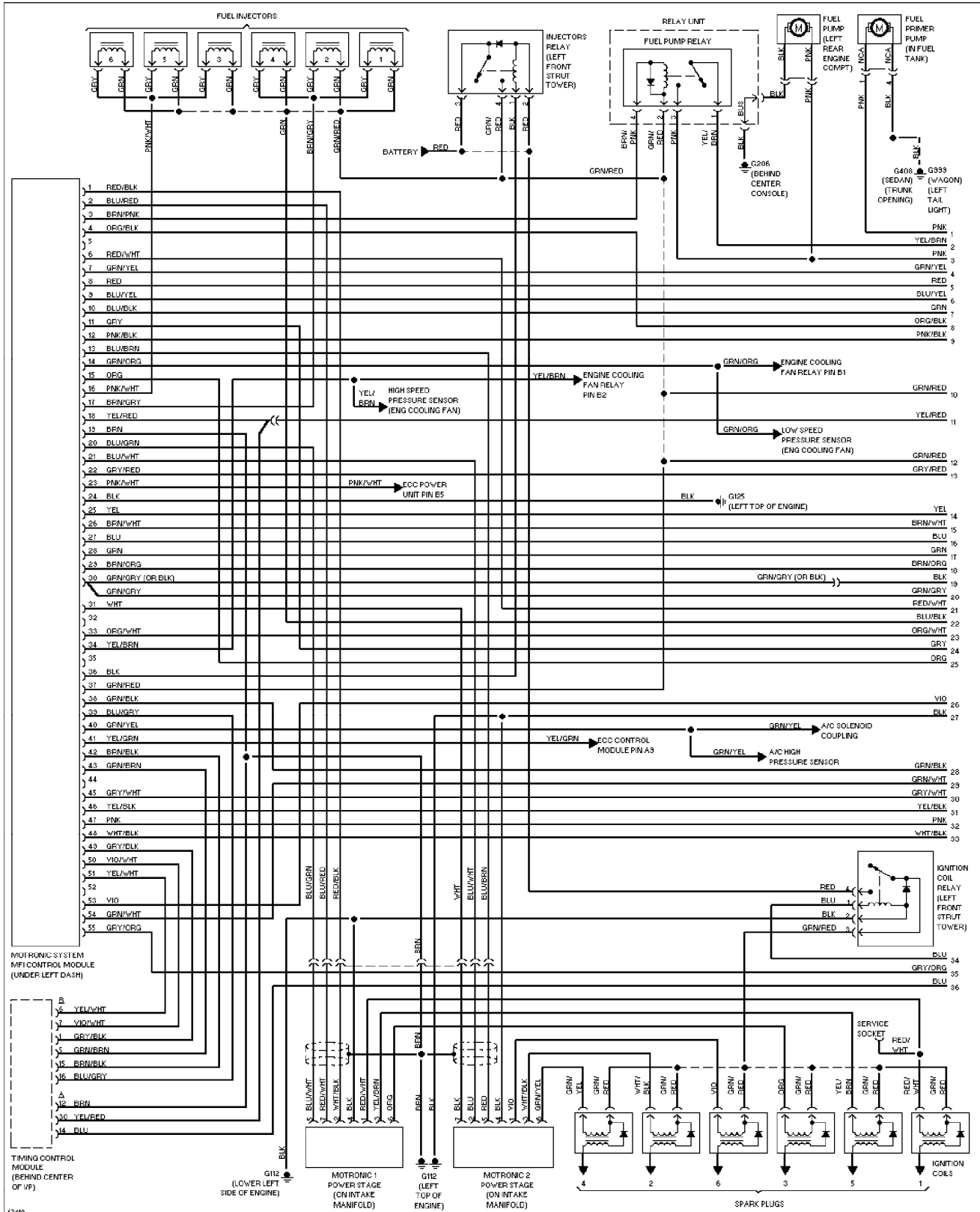
# SYSTEM WIRING DIAGRAMS

## 2.9L, Engine Performance Circuits (1 of 2)

1994 Volvo 960

For x

Copyright © 1998 Mitchell Repair Information Company, LLC  
Saturday, July 24, 2004 10:04AM



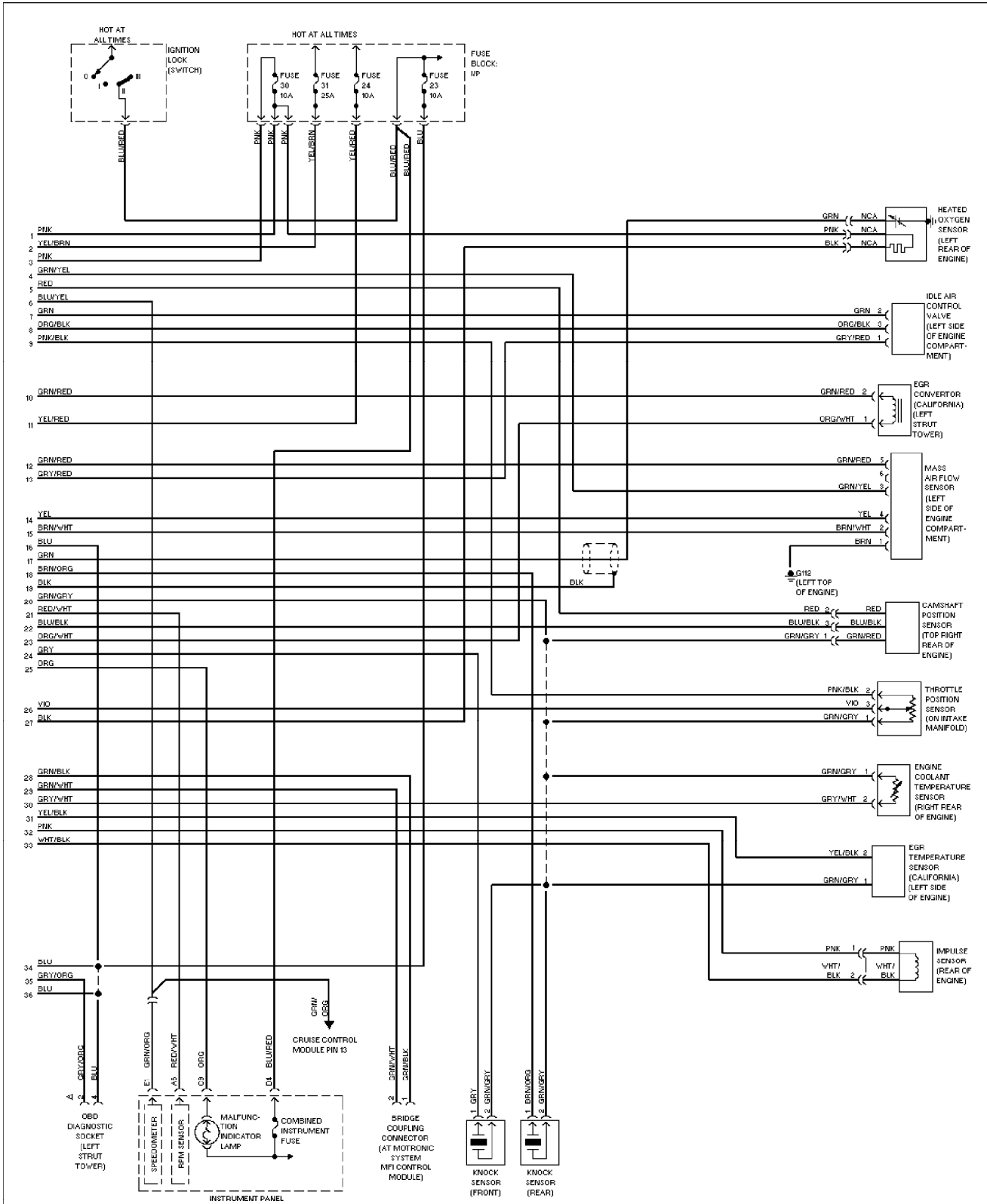
# SYSTEM WIRING DIAGRAMS

## 2.9L, Engine Performance Circuits (2 of 2)

1994 Volvo 960

For x

Copyright © 1998 Mitchell Repair Information Company, LLC  
Saturday, July 24, 2004 10:04AM



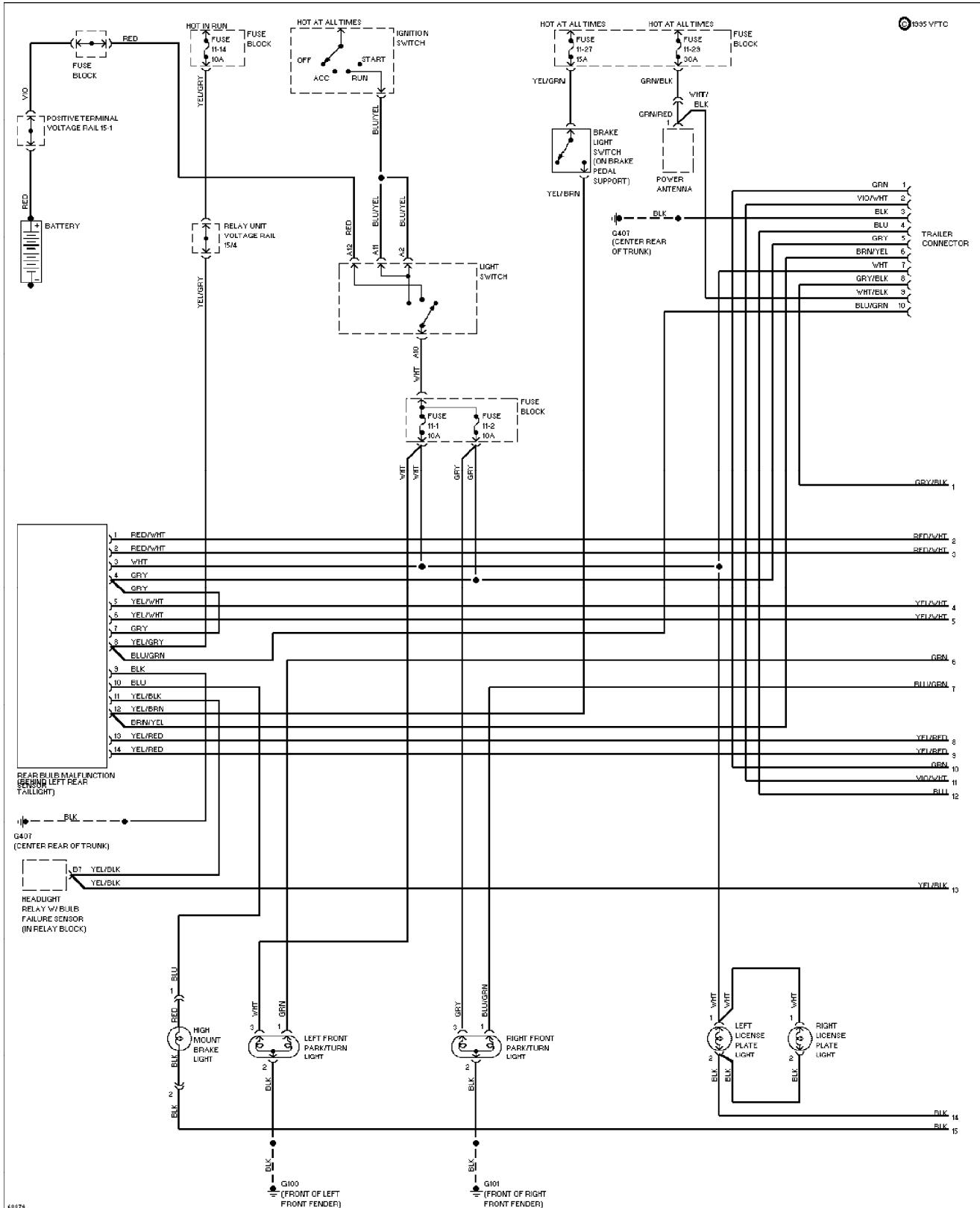
# SYSTEM WIRING DIAGRAMS

## Exterior Lamps Circuit, Sedan (1 of 2)

1994 Volvo 960

For x

Copyright © 1998 Mitchell Repair Information Company, LLC  
Saturday, July 24, 2004 10:04AM



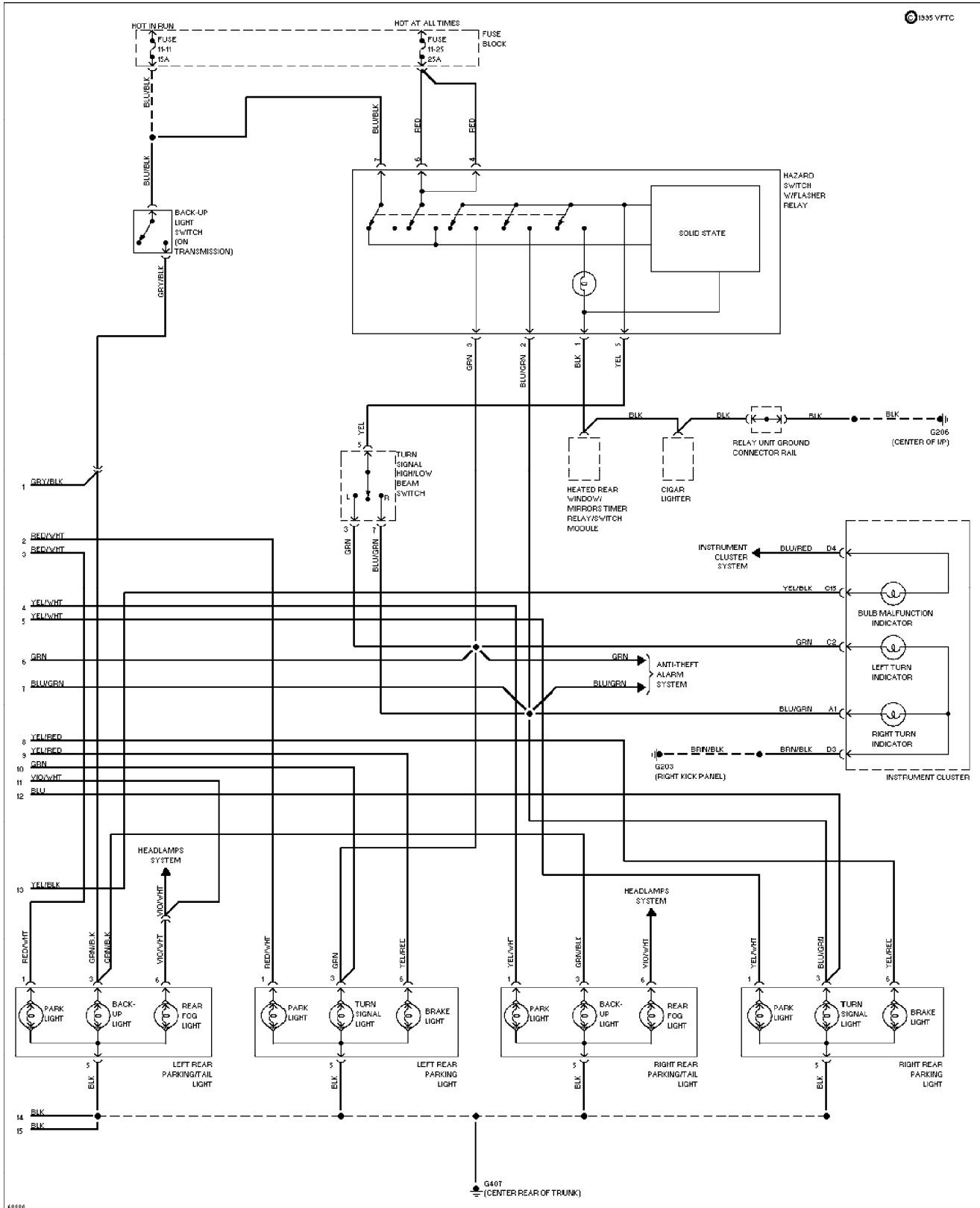
# SYSTEM WIRING DIAGRAMS

## Exterior Lamps Circuit, Sedan (2 of 2)

1994 Volvo 960

For x

Copyright © 1998 Mitchell Repair Information Company, LLC  
Saturday, July 24, 2004 10:04AM



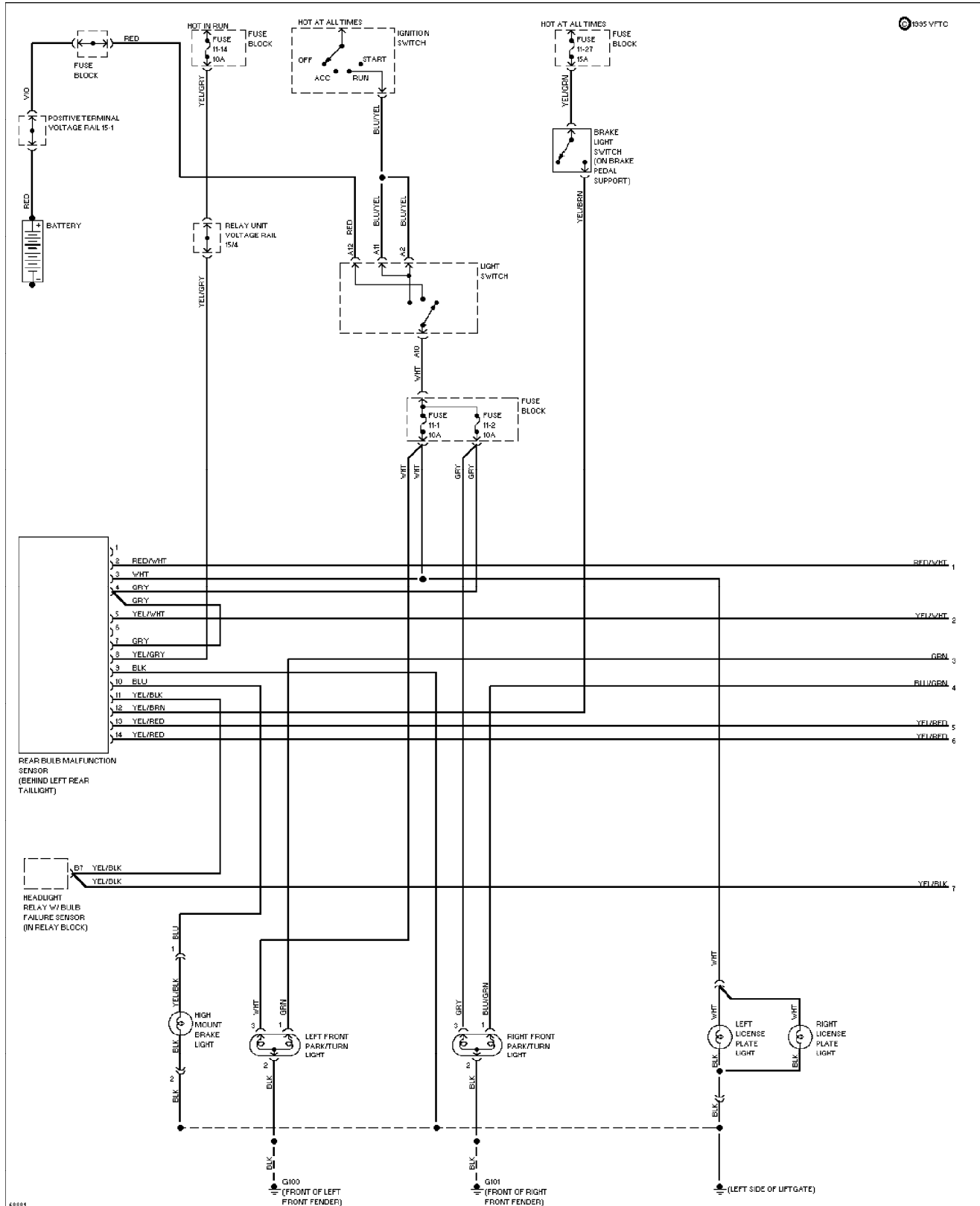
# SYSTEM WIRING DIAGRAMS

## Exterior Lamps Circuit, Wagon (1 of 2)

1994 Volvo 960

For x

Copyright © 1998 Mitchell Repair Information Company, LLC  
Saturday, July 24, 2004 10:04AM



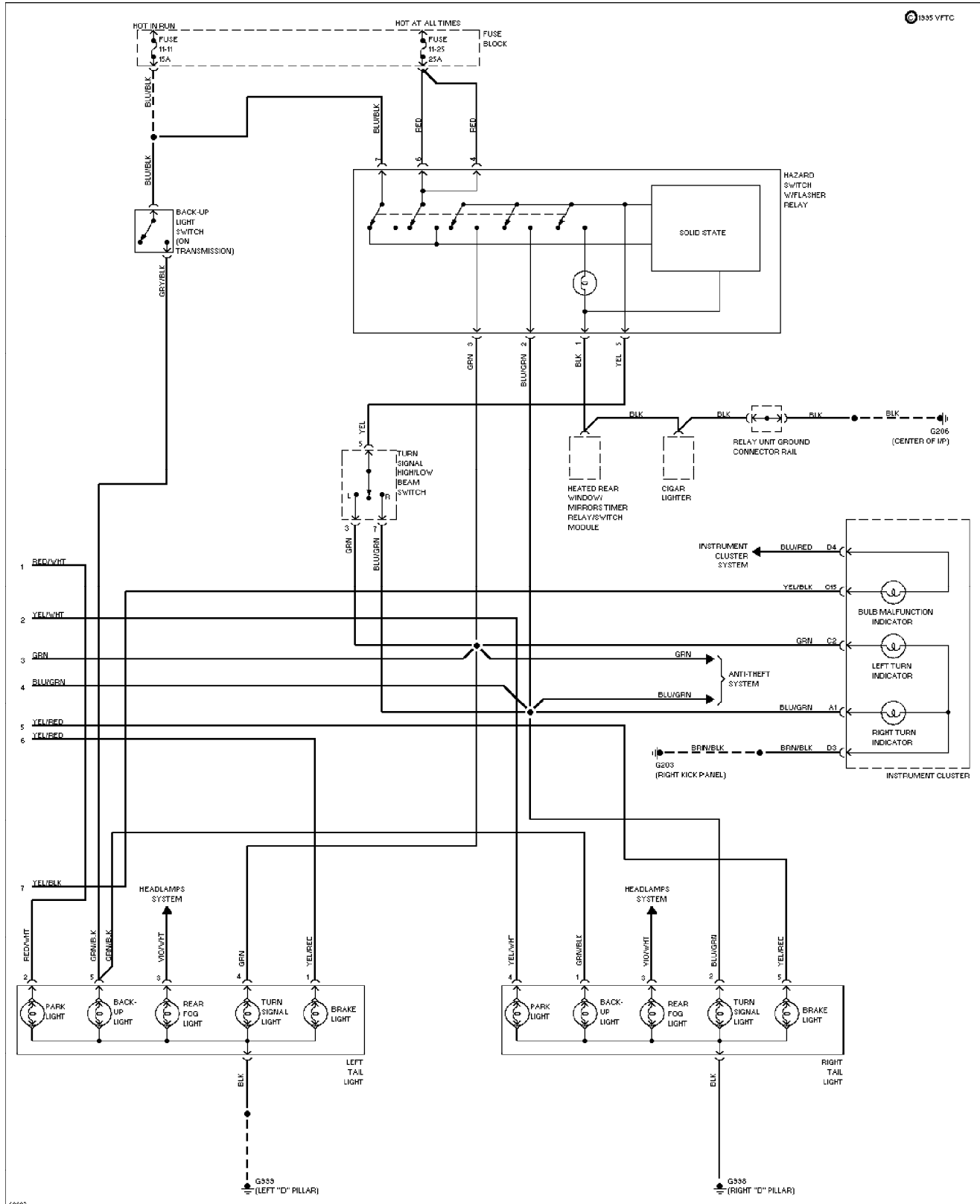
# SYSTEM WIRING DIAGRAMS

## Exterior Lamps Circuit, Wagon (2 of 2)

1994 Volvo 960

For x

Copyright © 1998 Mitchell Repair Information Company, LLC  
Saturday, July 24, 2004 10:04AM



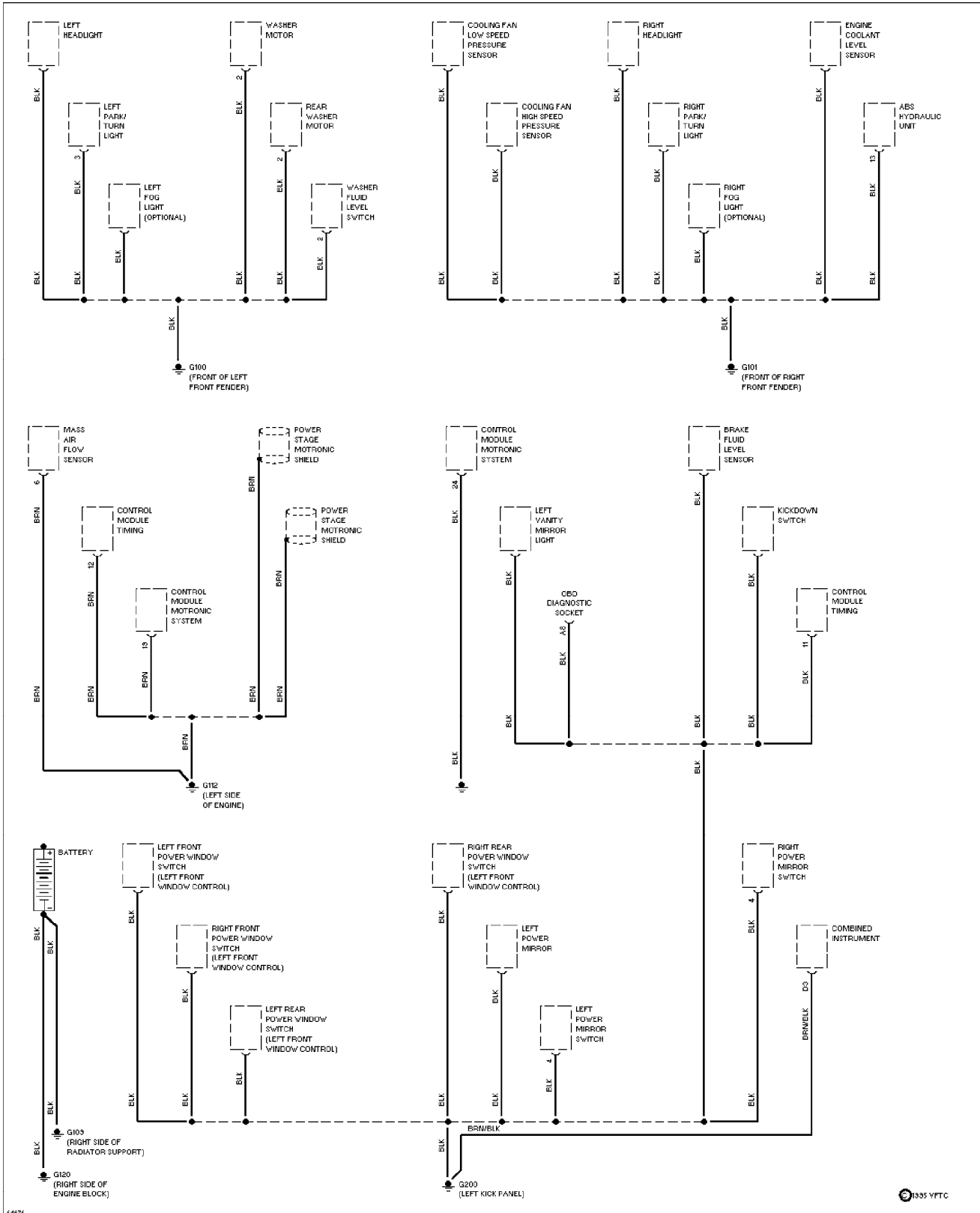
# SYSTEM WIRING DIAGRAMS

## Ground Distribution Circuit (1 of 4)

1994 Volvo 960

For x

Copyright © 1998 Mitchell Repair Information Company, LLC  
 Saturday, July 24, 2004 10:04AM





# SYSTEM WIRING DIAGRAMS

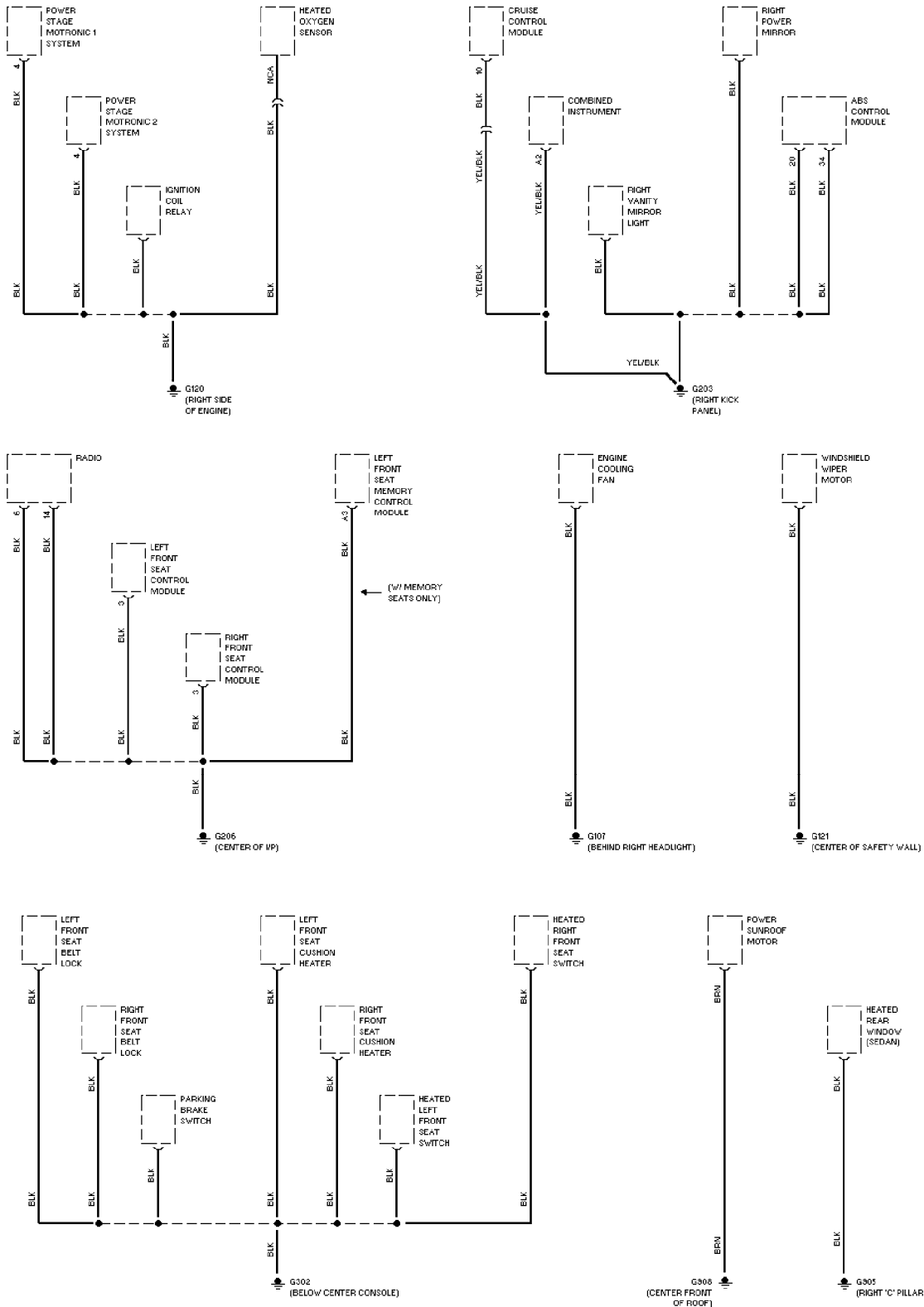
## Ground Distribution Circuit (2 of 4)

1994 Volvo 960

For x

Copyright © 1998 Mitchell Repair Information Company, LLC  
 Saturday, July 24, 2004 10:04AM

1995 YFTC



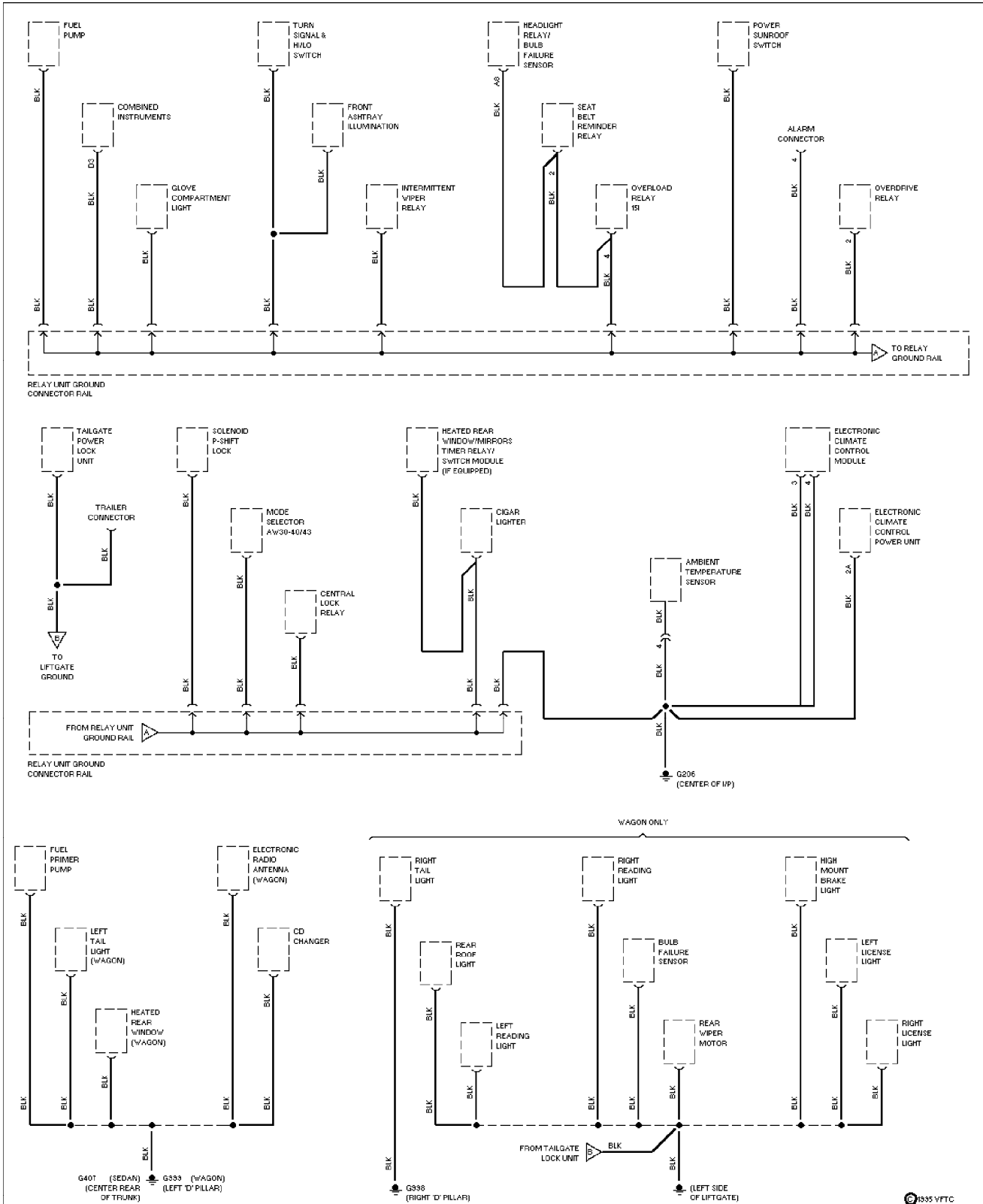
# SYSTEM WIRING DIAGRAMS

## Ground Distribution Circuit (3 of 4)

1994 Volvo 960

For x

Copyright © 1998 Mitchell Repair Information Company, LLC  
 Saturday, July 24, 2004 10:04AM



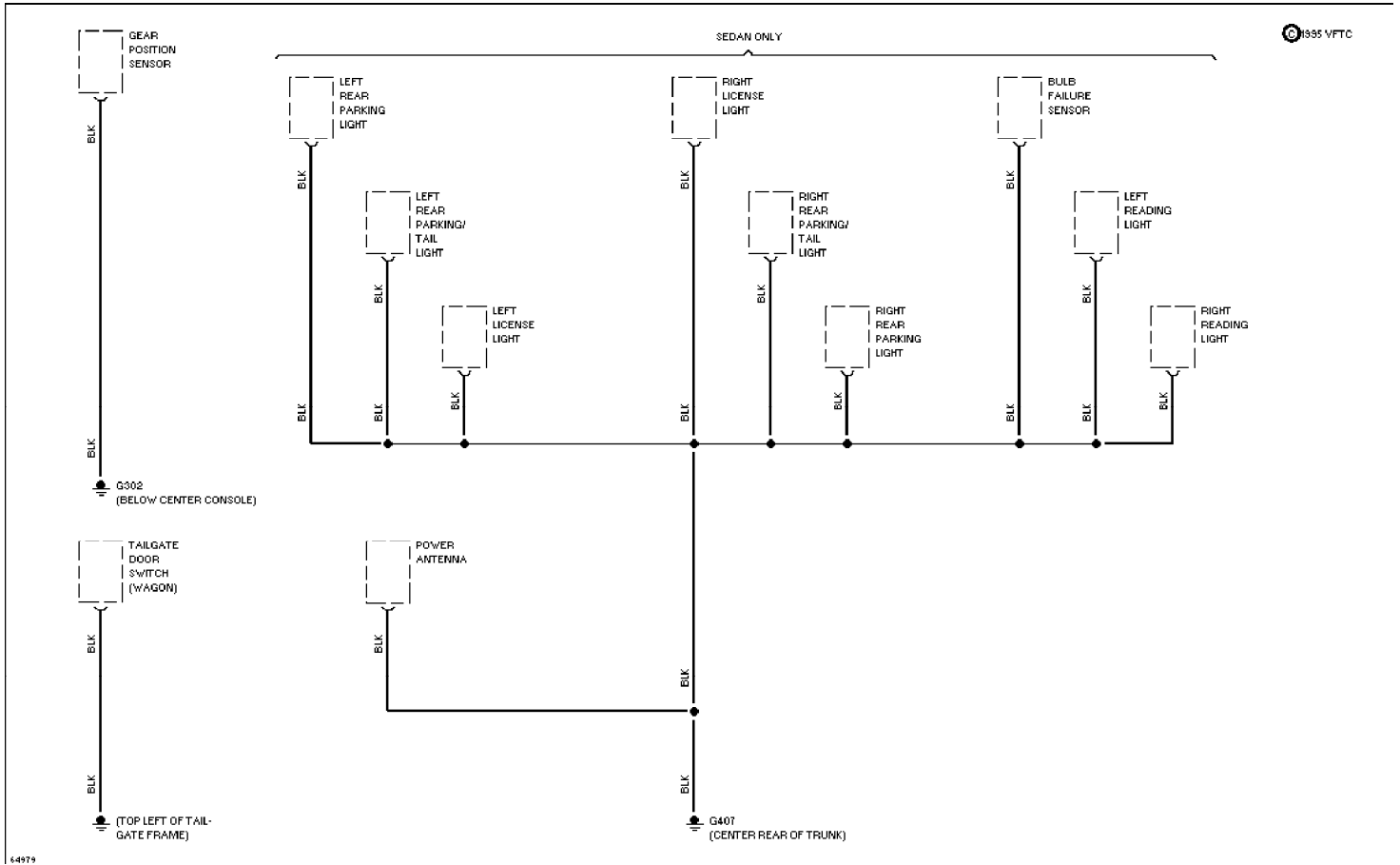
# SYSTEM WIRING DIAGRAMS

## Ground Distribution Circuit (4 of 4)

1994 Volvo 960

For x

Copyright © 1998 Mitchell Repair Information Company, LLC  
Saturday, July 24, 2004 10:04AM



# SYSTEM WIRING DIAGRAMS

## Beam Width Control

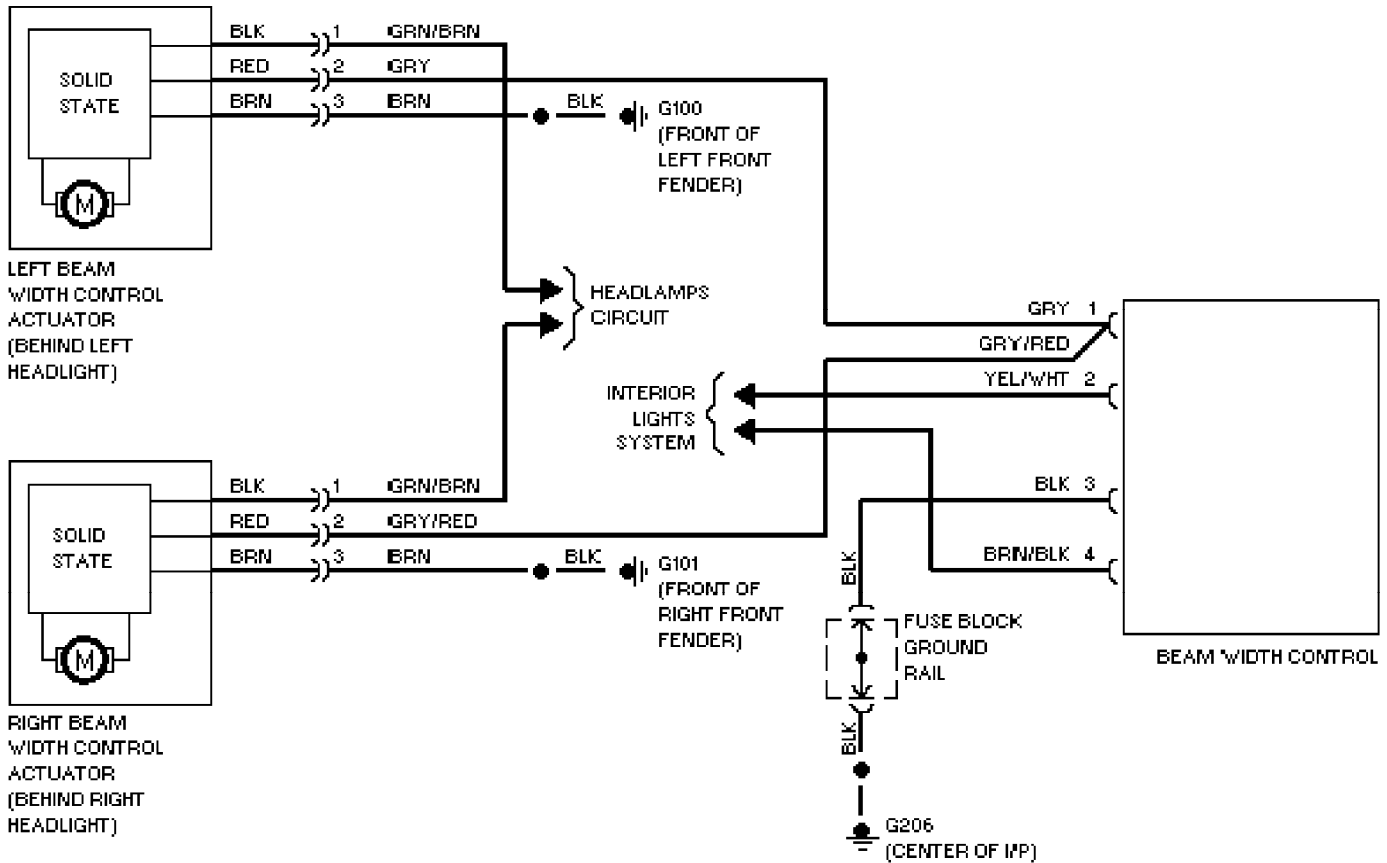
1994 Volvo 960

For x

Copyright © 1998 Mitchell Repair Information Company, LLC

Saturday, July 24, 2004 10:04AM

© 1995 VFTC



# SYSTEM WIRING DIAGRAMS

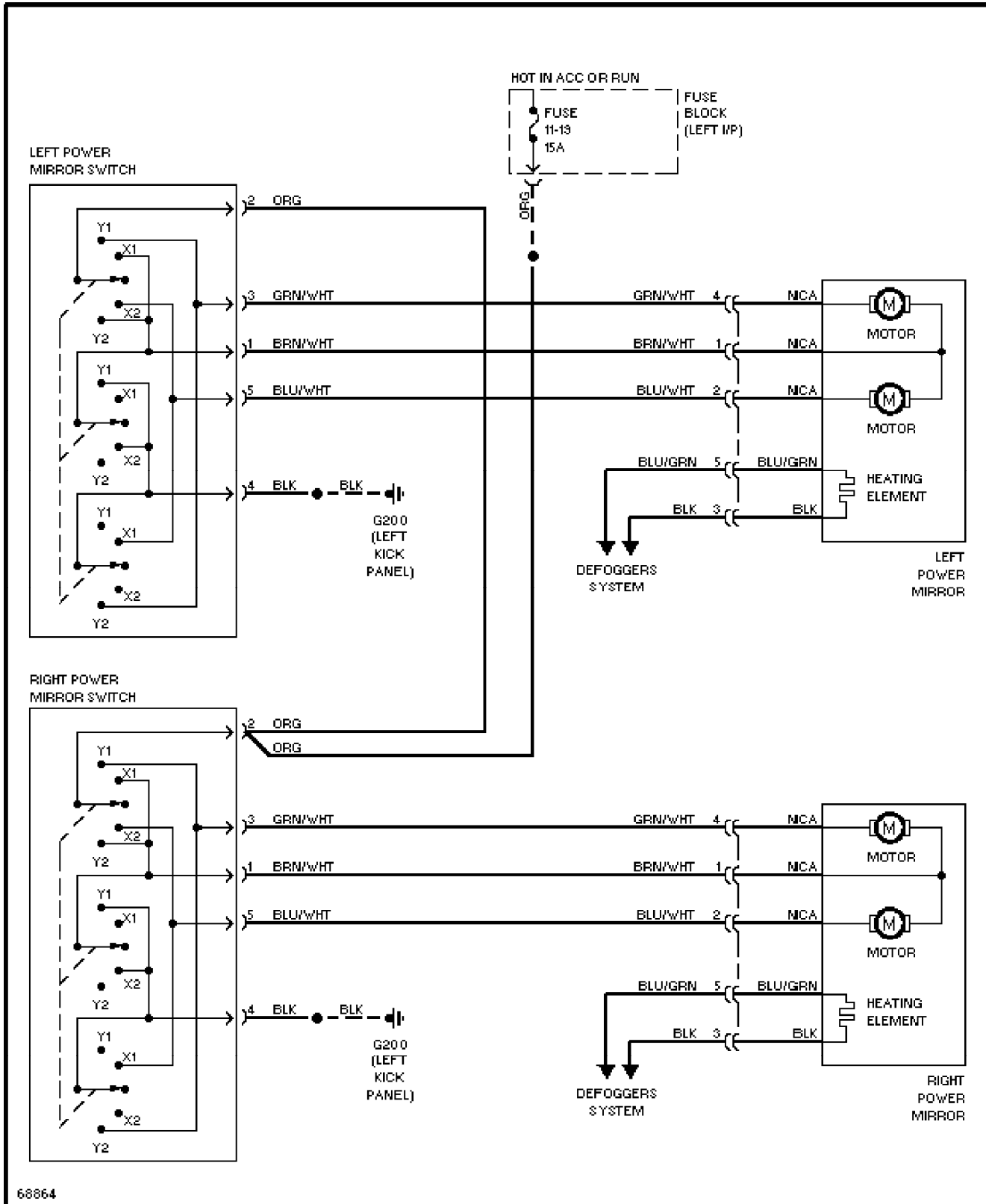
## Power Mirror Circuit

1994 Volvo 960

For x

Copyright © 1998 Mitchell Repair Information Company, LLC

Saturday, July 24, 2004 10:07AM



# SYSTEM WIRING DIAGRAMS

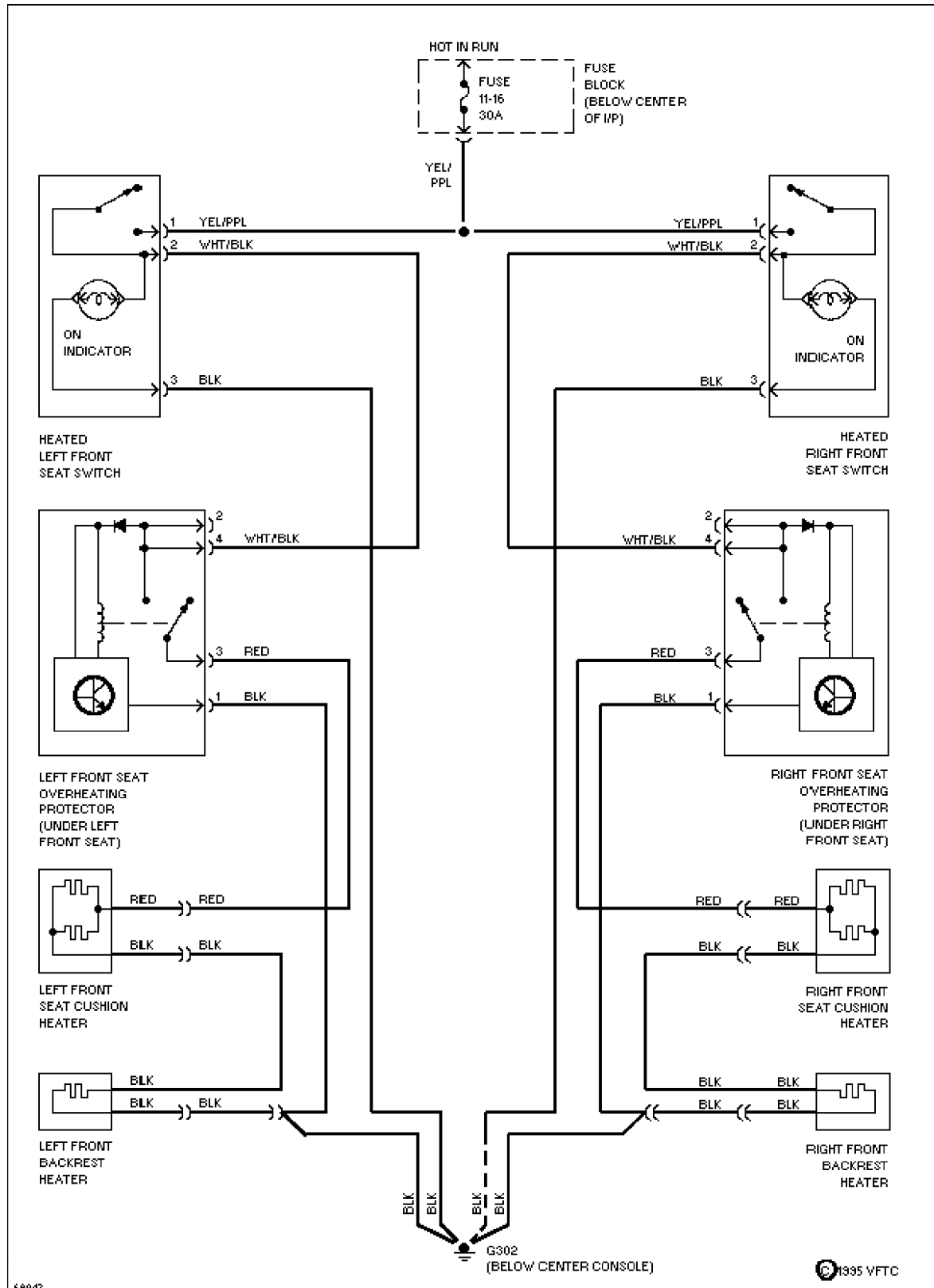
## Heated Seats Circuit

1994 Volvo 960

For x

Copyright © 1998 Mitchell Repair Information Company, LLC

Saturday, July 24, 2004 10:07AM



# SYSTEM WIRING DIAGRAMS

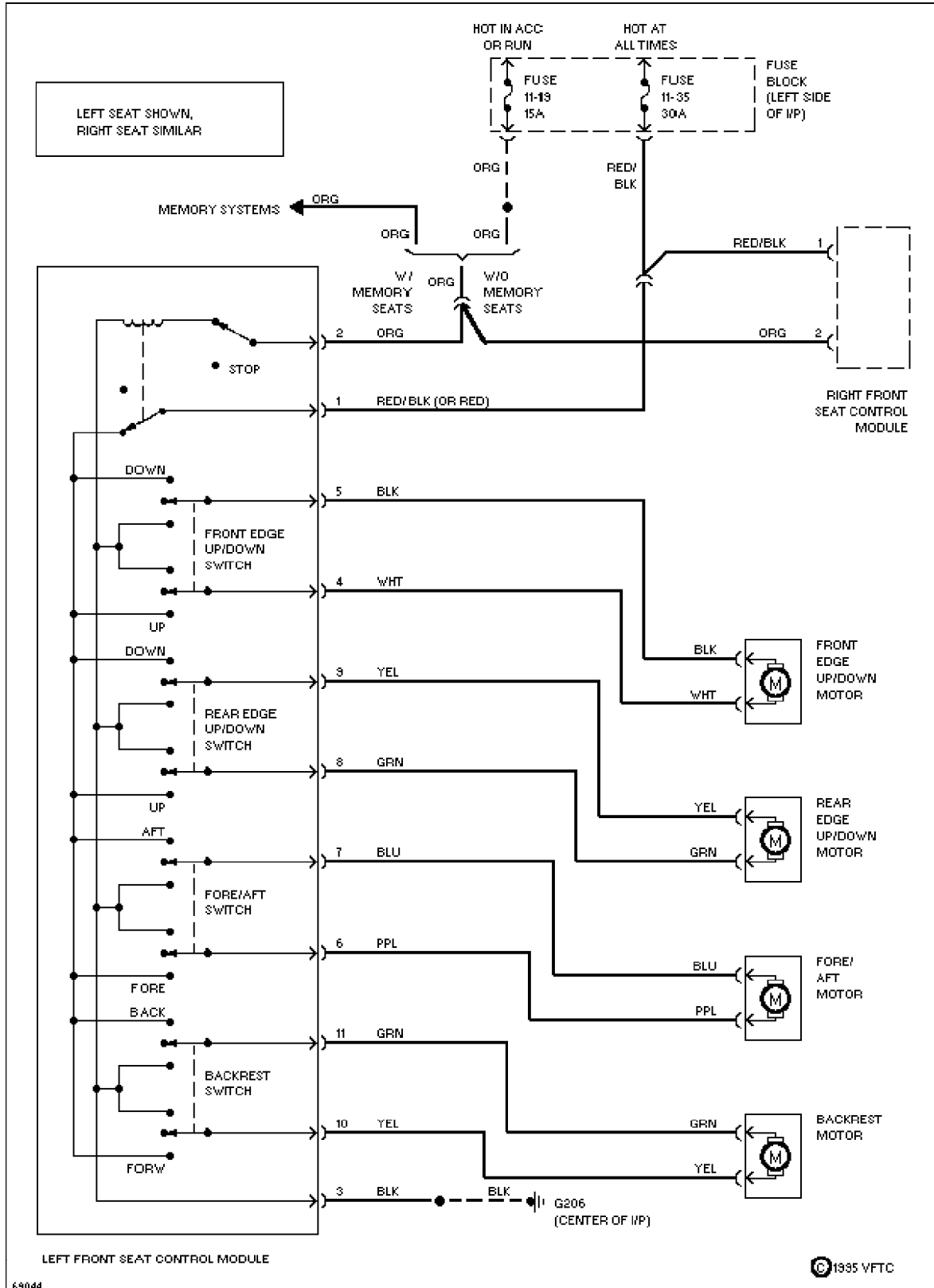
## Power Seats Circuit

1994 Volvo 960

For x

Copyright © 1998 Mitchell Repair Information Company, LLC

Saturday, July 24, 2004 10:07AM



# SYSTEM WIRING DIAGRAMS

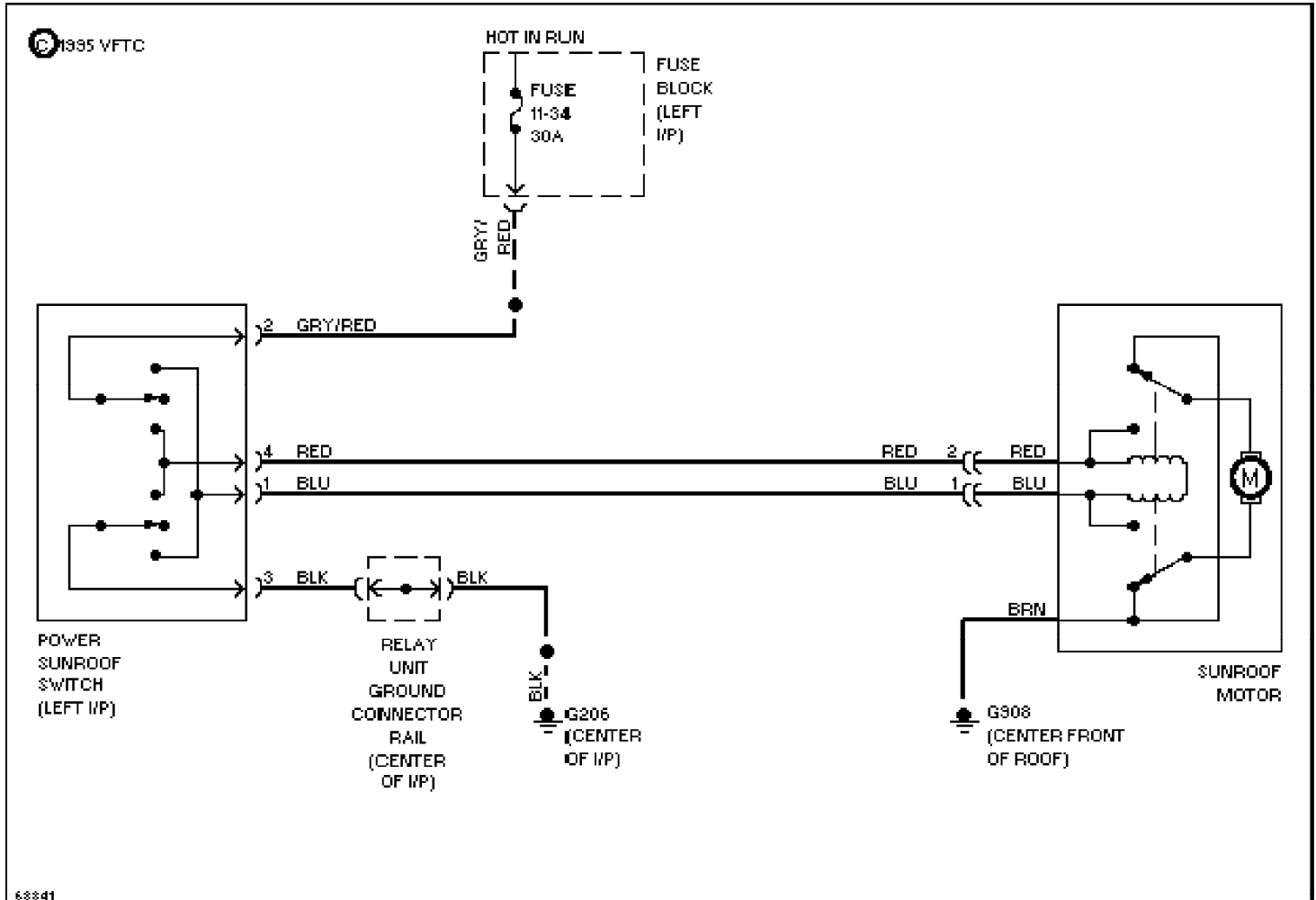
## Sunroof Circuit

1994 Volvo 960

For x

Copyright © 1998 Mitchell Repair Information Company, LLC

Saturday, July 24, 2004 10:07AM





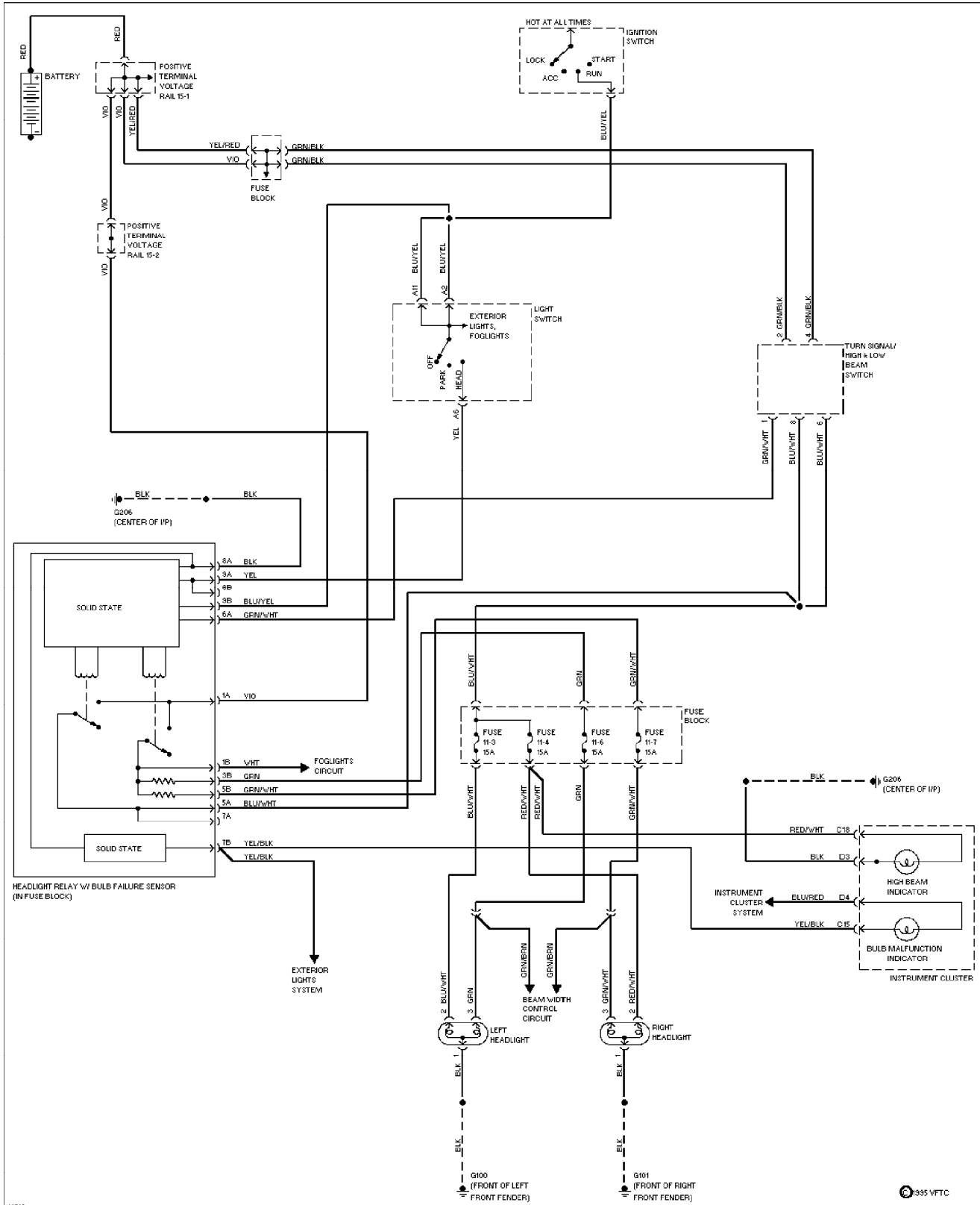
# SYSTEM WIRING DIAGRAMS

## Headlamps Circuit, W/O DRL

1994 Volvo 960

For x

Copyright © 1998 Mitchell Repair Information Company, LLC  
 Saturday, July 24, 2004 10:05AM



# SYSTEM WIRING DIAGRAMS

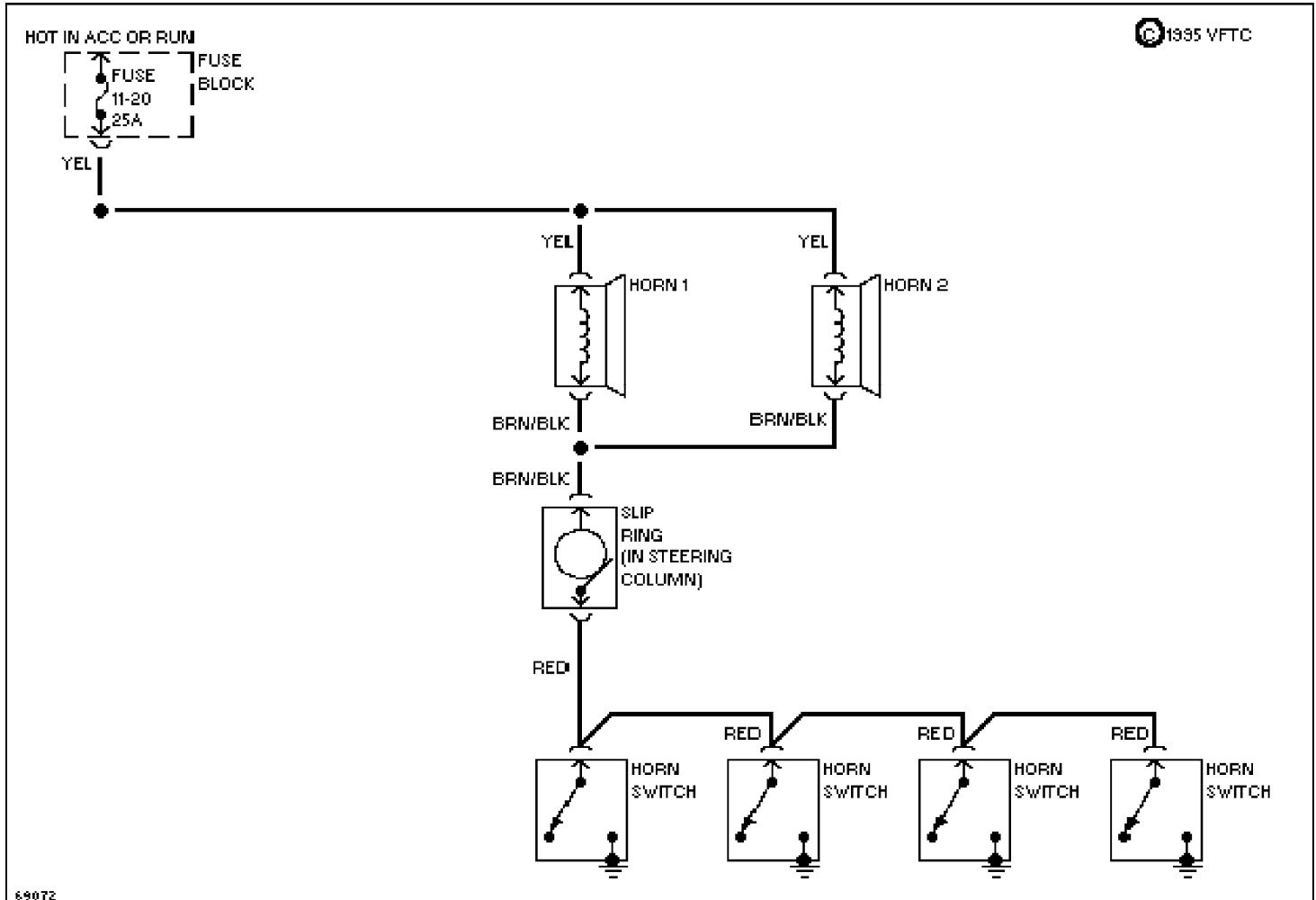
## Horn Circuit

1994 Volvo 960

For x

Copyright © 1998 Mitchell Repair Information Company, LLC

Saturday, July 24, 2004 10:06AM



# SYSTEM WIRING DIAGRAMS

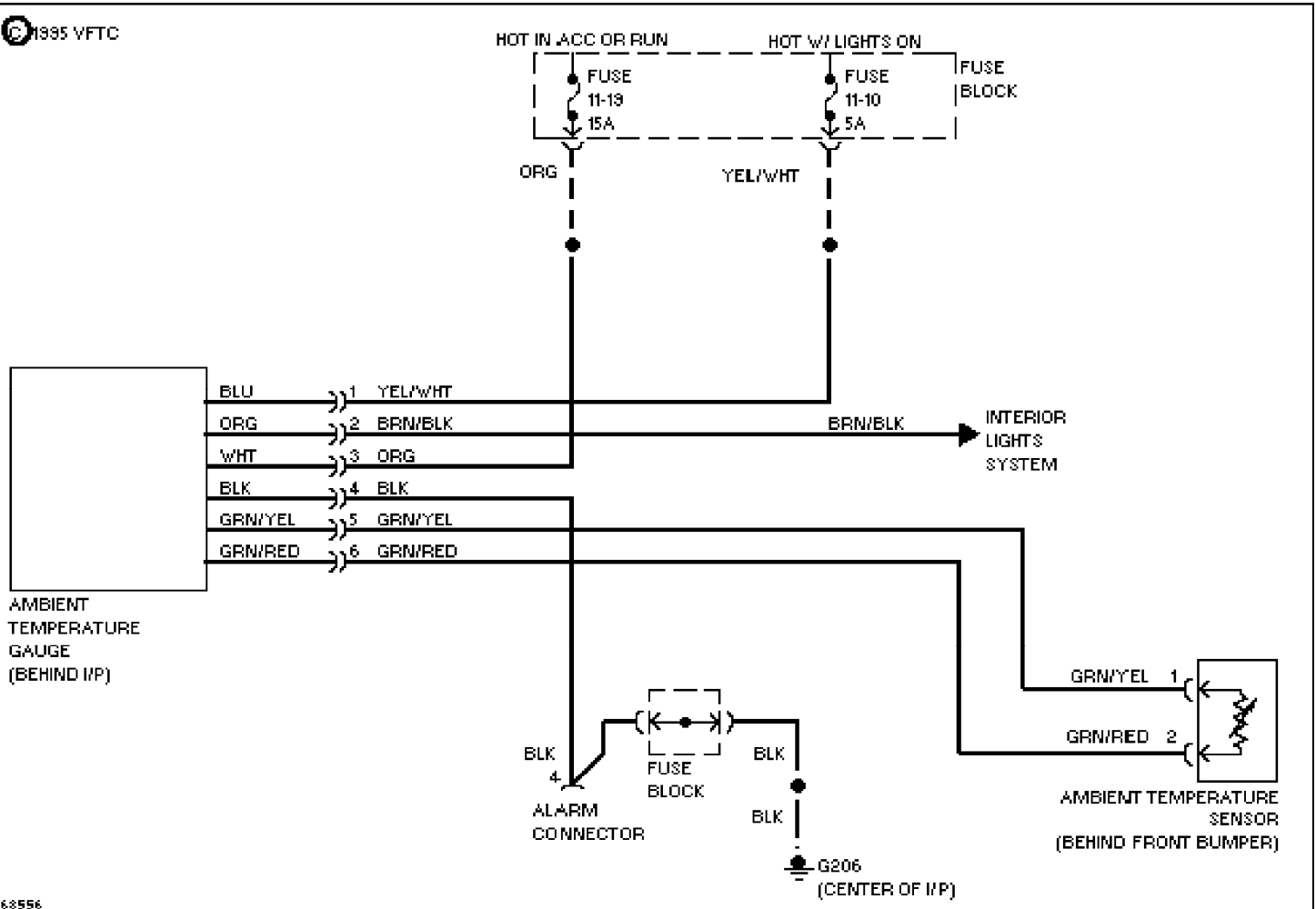
## Ambient Temperature Gauge

1994 Volvo 960

For x

Copyright © 1998 Mitchell Repair Information Company, LLC  
Saturday, July 24, 2004 10:06AM

© 1995 VFTC



68556

# SYSTEM WIRING DIAGRAMS

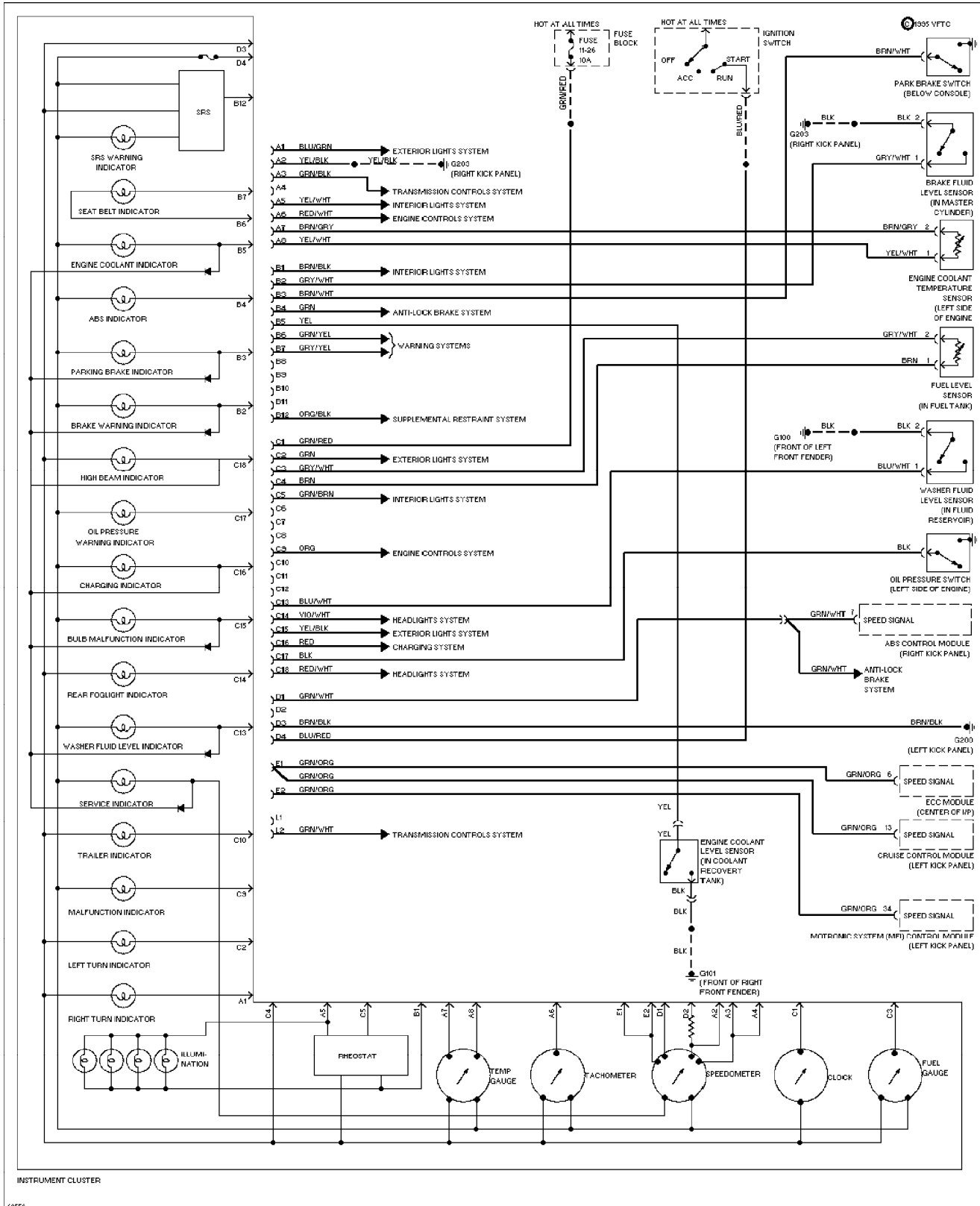
## Instrument Cluster Circuit

1994 Volvo 960

For x

Copyright © 1998 Mitchell Repair Information Company, LLC

Saturday, July 24, 2004 10:06AM



# SYSTEM WIRING DIAGRAMS

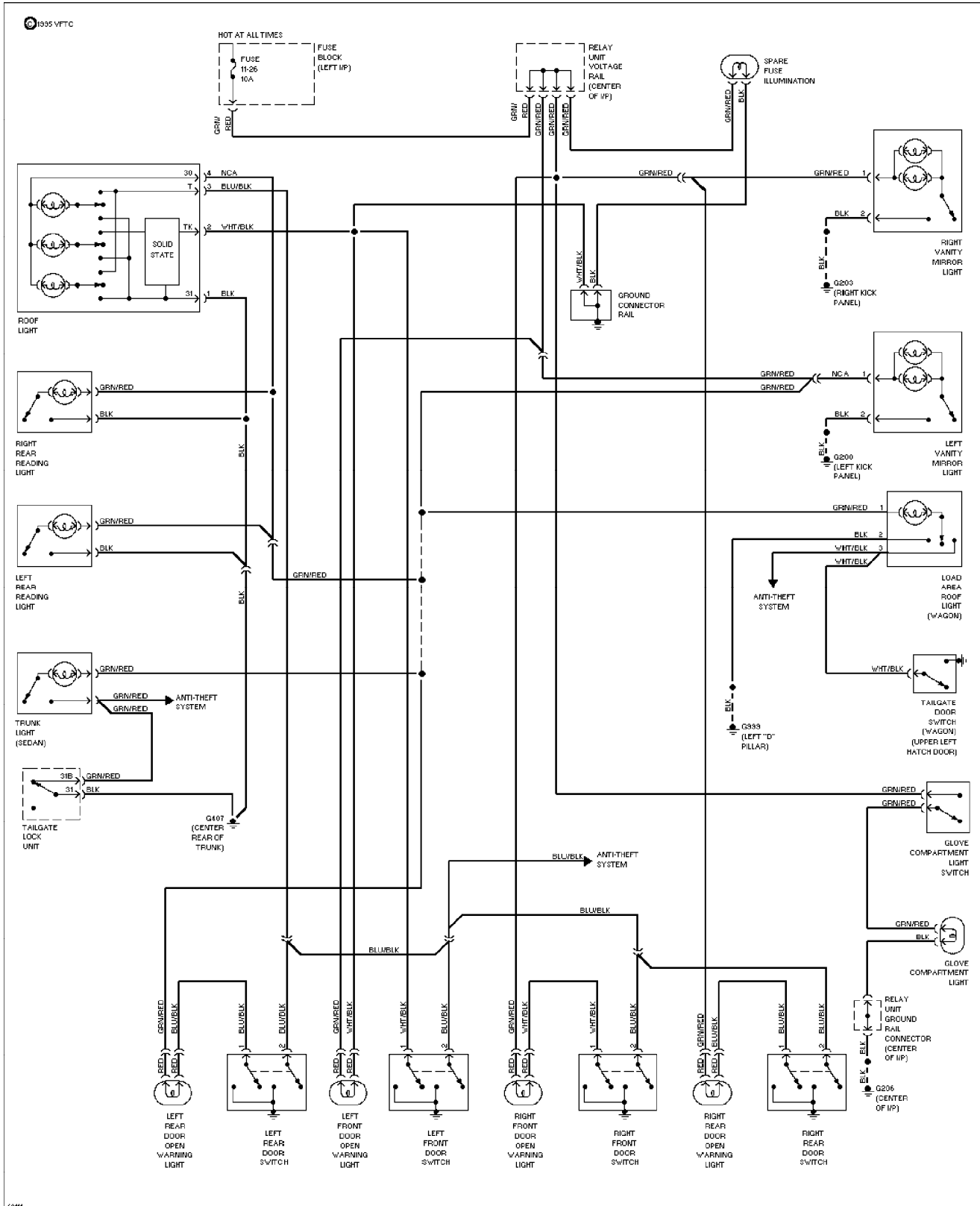
## Courtesy Lamp Circuit

1994 Volvo 960

For x

Copyright © 1998 Mitchell Repair Information Company, LLC

Saturday, July 24, 2004 10:06AM



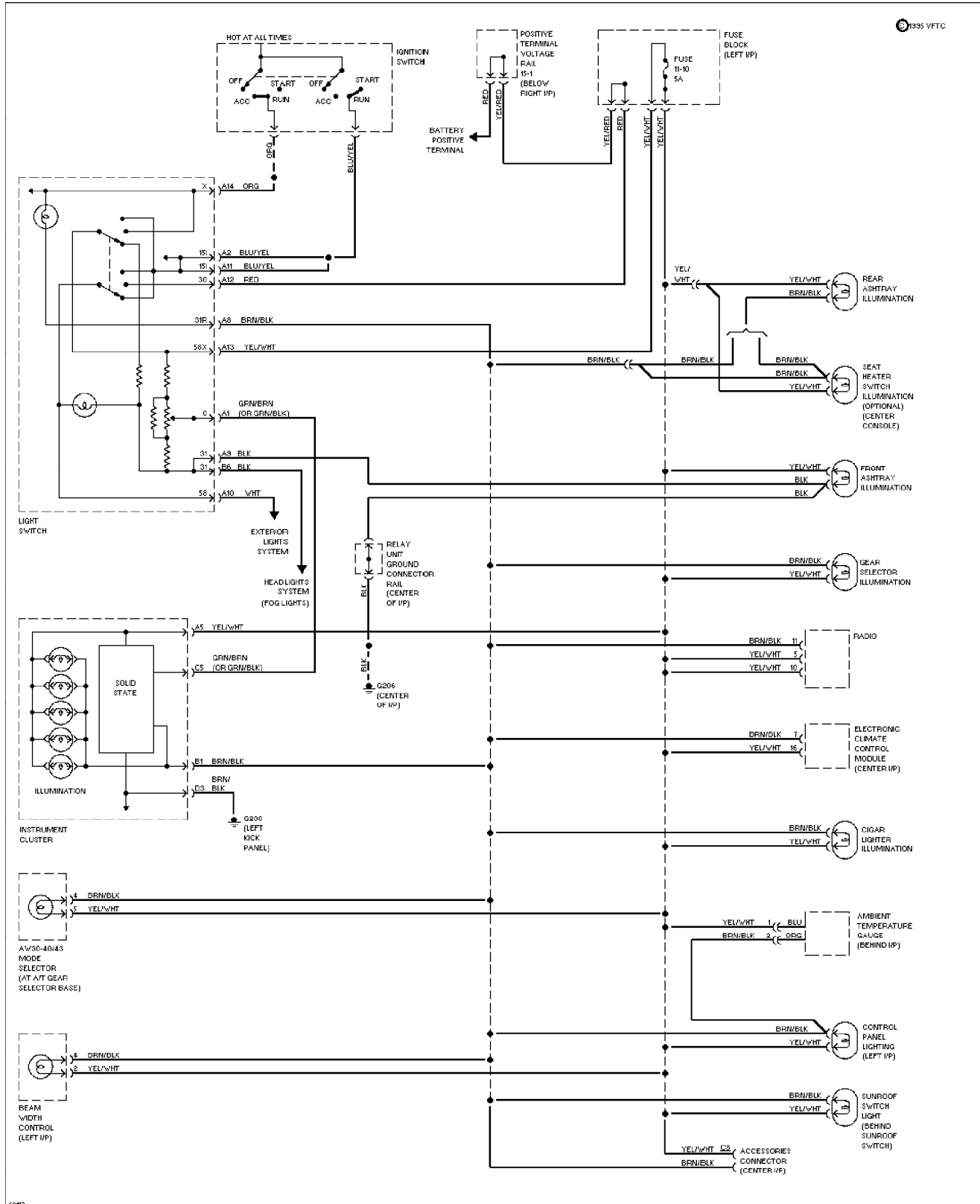
# SYSTEM WIRING DIAGRAMS

## Instrument Illumination Circuit

1994 Volvo 960

For x

Copyright © 1998 Mitchell Repair Information Company, LLC  
 Saturday, July 24, 2004 10:06AM



# SYSTEM WIRING DIAGRAMS

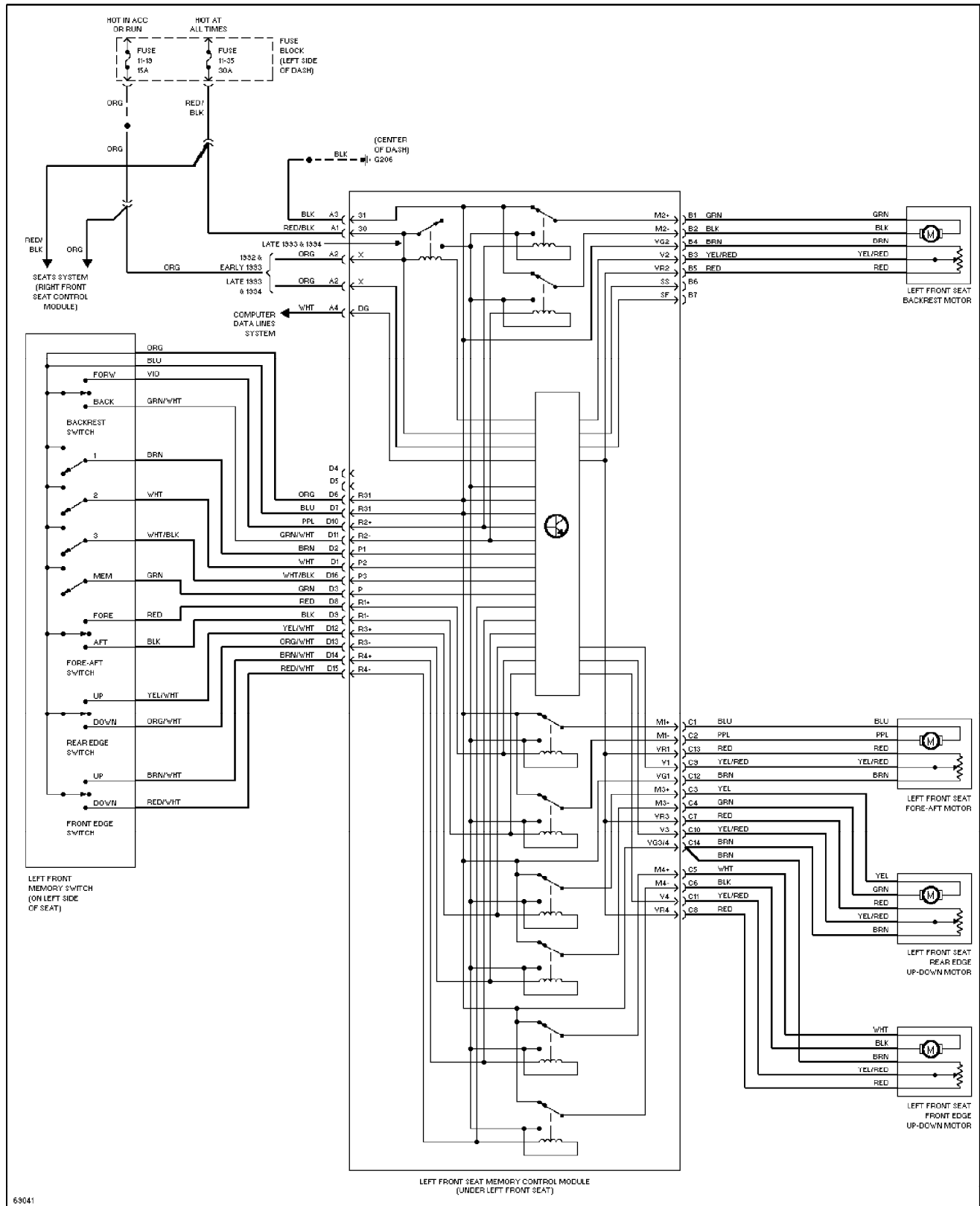
## Memory Seat Circuit

1994 Volvo 960

For x

Copyright © 1998 Mitchell Repair Information Company, LLC

Saturday, July 24, 2004 10:06AM



# SYSTEM WIRING DIAGRAMS

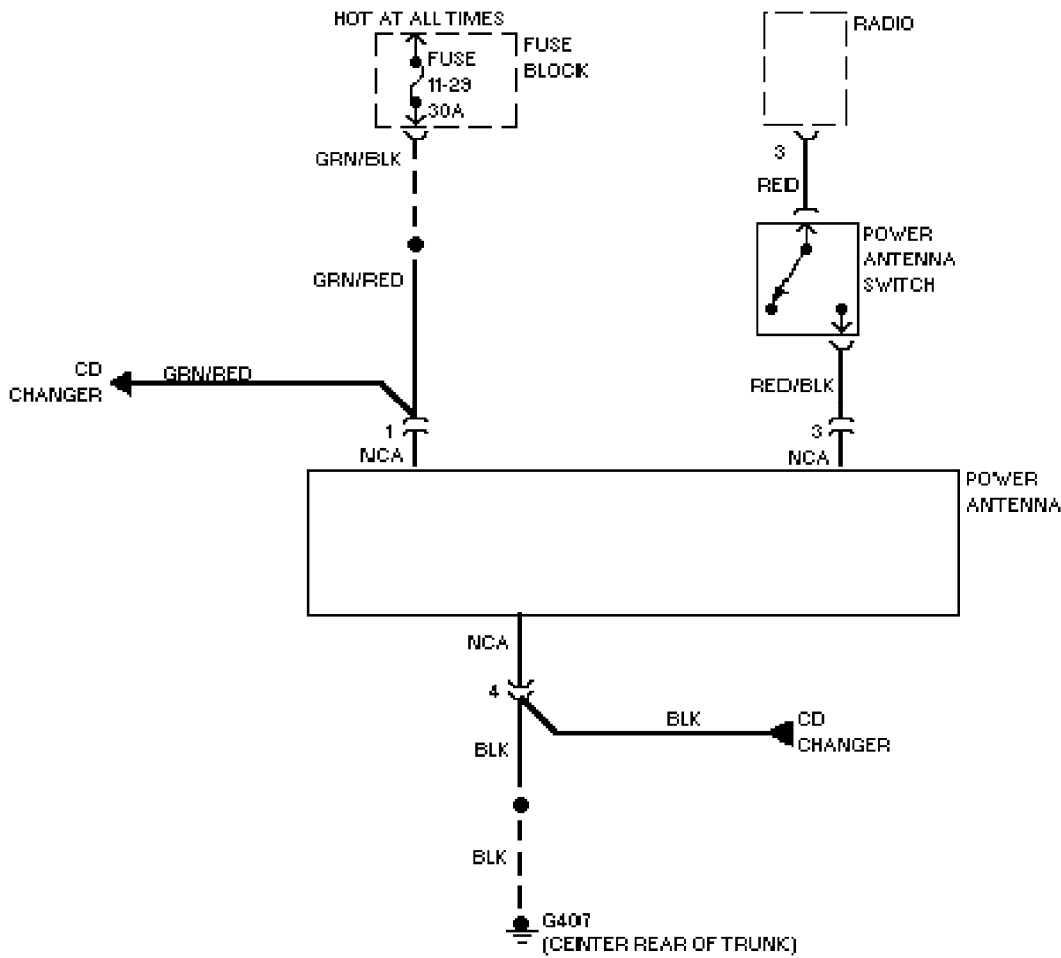
## Power Antenna Circuit

1994 Volvo 960

For x

Copyright © 1998 Mitchell Repair Information Company, LLC

Saturday, July 24, 2004 10:06AM



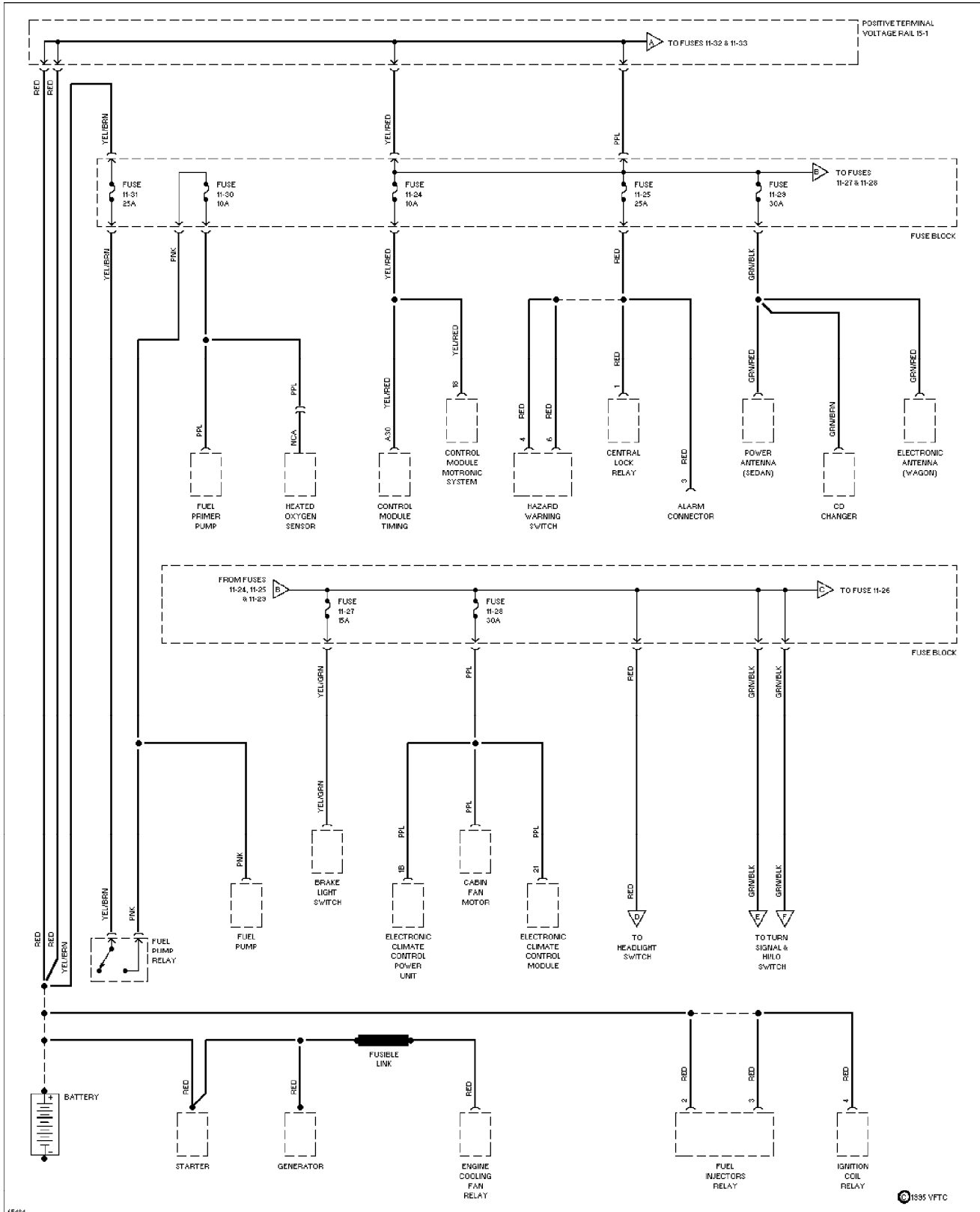


# SYSTEM WIRING DIAGRAMS Power Distribution Circuit (1 of 5)

1994 Volvo 960

For x

Copyright © 1998 Mitchell Repair Information Company, LLC  
Saturday, July 24, 2004 10:06AM



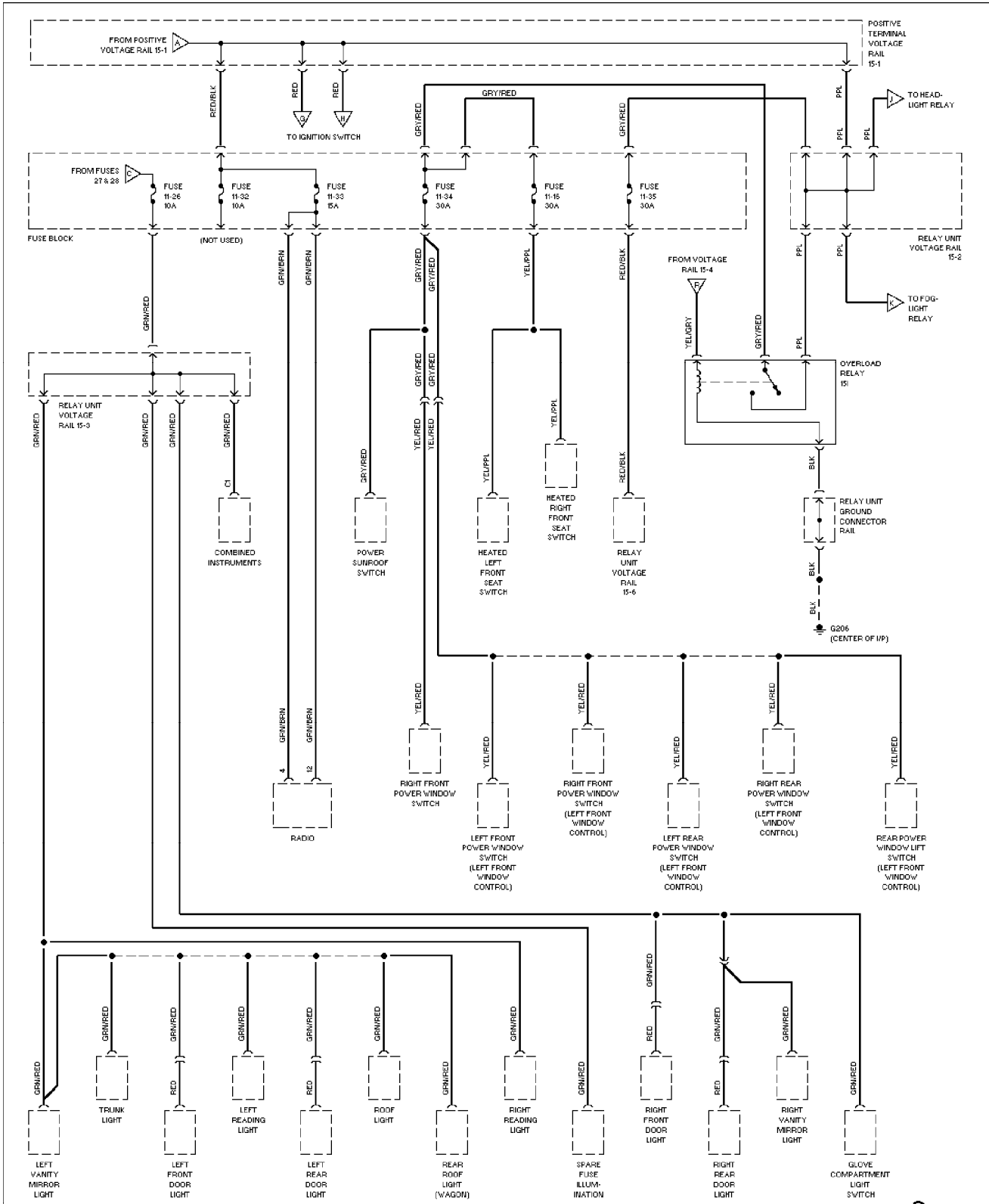
# SYSTEM WIRING DIAGRAMS

## Power Distribution Circuit (2 of 5)

1994 Volvo 960

For x

Copyright © 1998 Mitchell Repair Information Company, LLC  
 Saturday, July 24, 2004 10:06AM



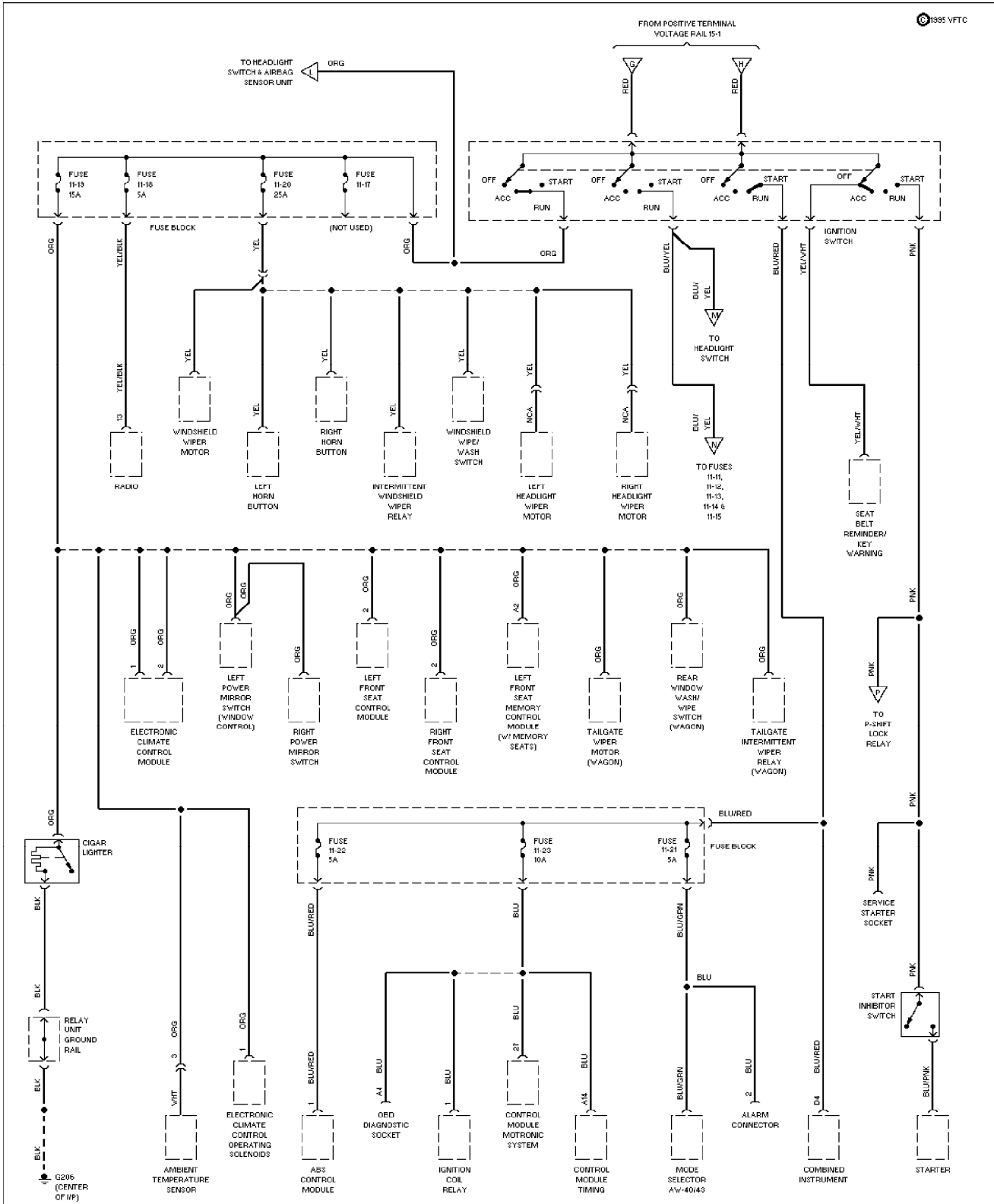
# SYSTEM WIRING DIAGRAMS

## Power Distribution Circuit (3 of 5)

1994 Volvo 960

For x

Copyright © 1998 Mitchell Repair Information Company, LLC  
Saturday, July 24, 2004 10:07AM



# SYSTEM WIRING DIAGRAMS

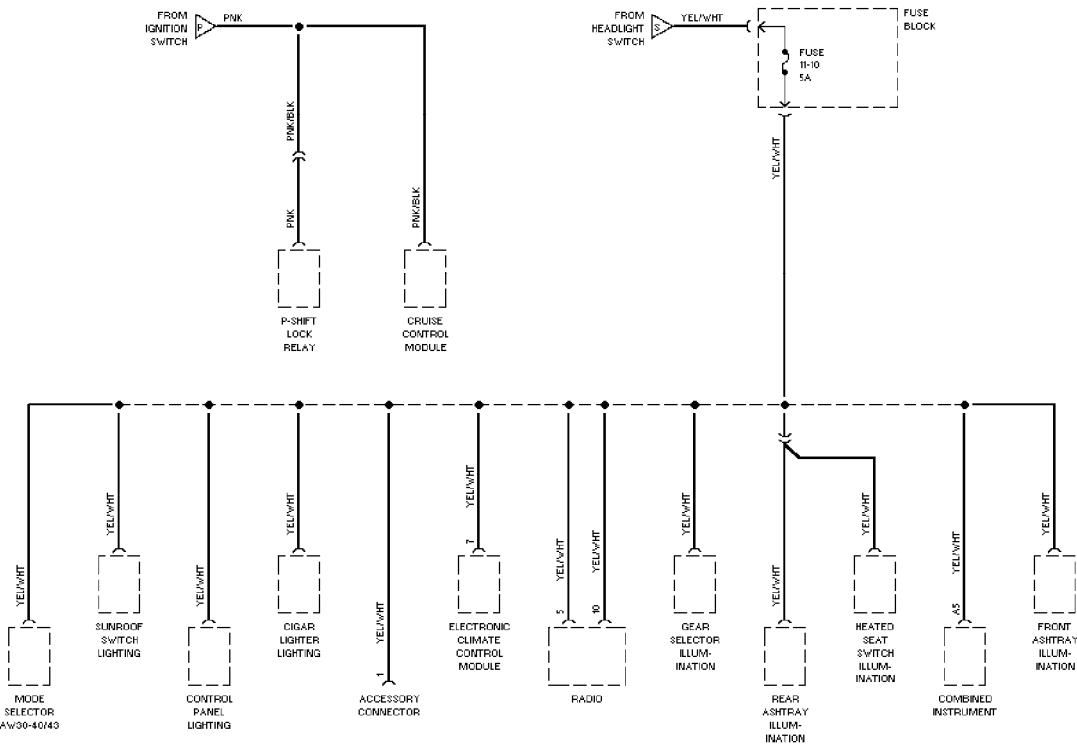
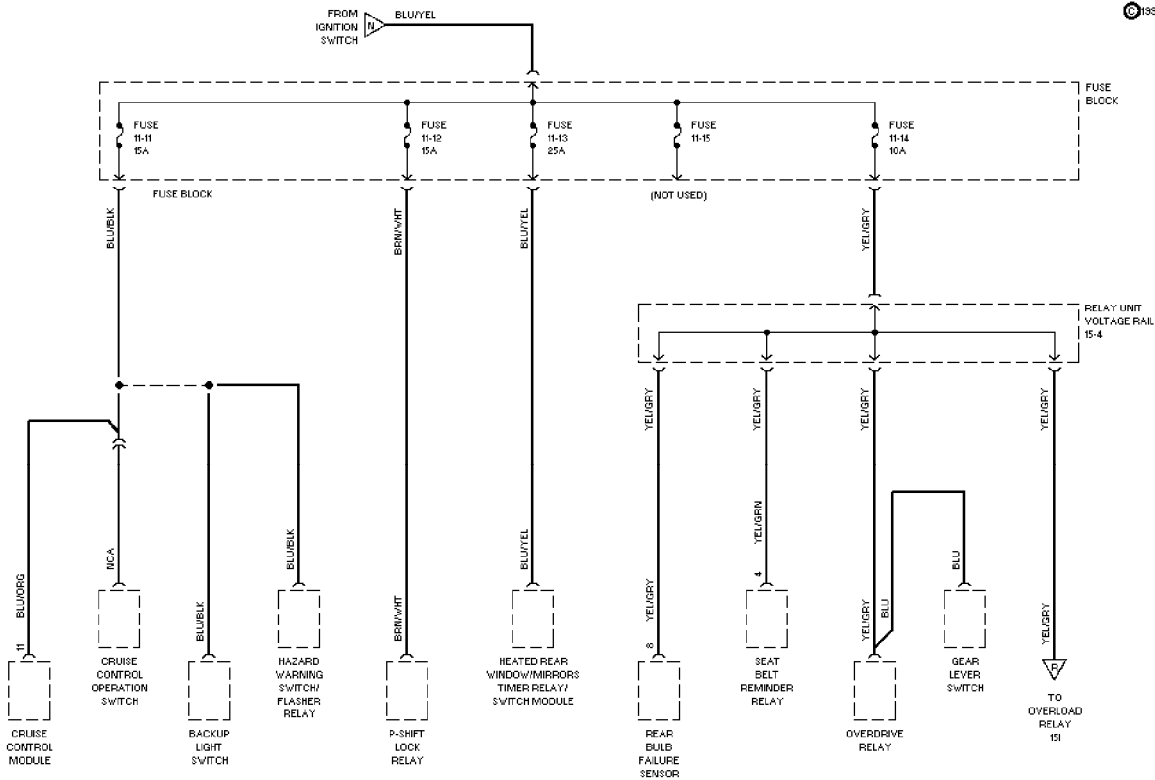
## Power Distribution Circuit (4 of 5)

1994 Volvo 960

For x

Copyright © 1998 Mitchell Repair Information Company, LLC  
 Saturday, July 24, 2004 10:07AM

1995 VFTC



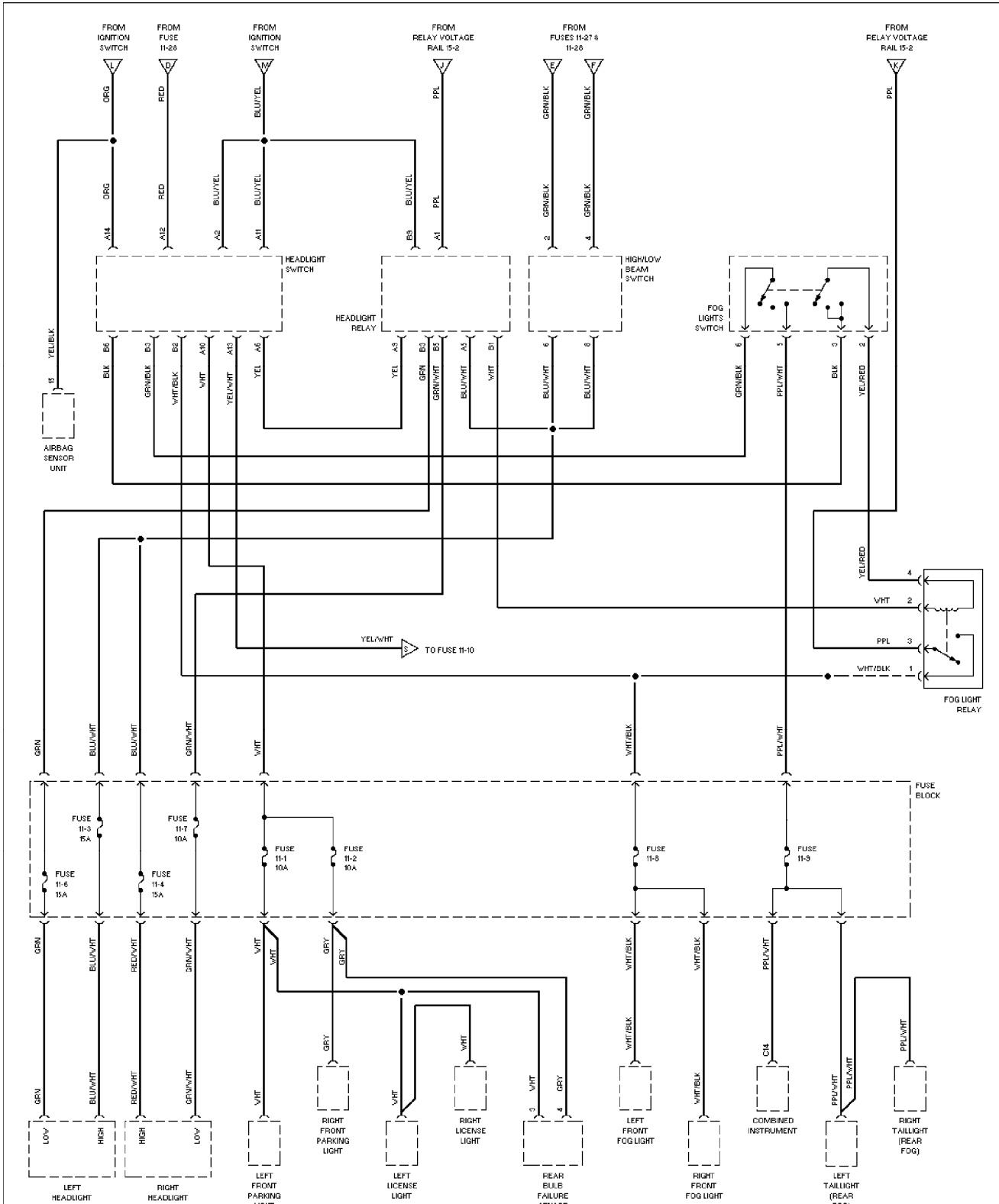
# SYSTEM WIRING DIAGRAMS

## Power Distribution Circuit (5 of 5)

1994 Volvo 960

For x

Copyright © 1998 Mitchell Repair Information Company, LLC  
 Saturday, July 24, 2004 10:07AM



# SYSTEM WIRING DIAGRAMS

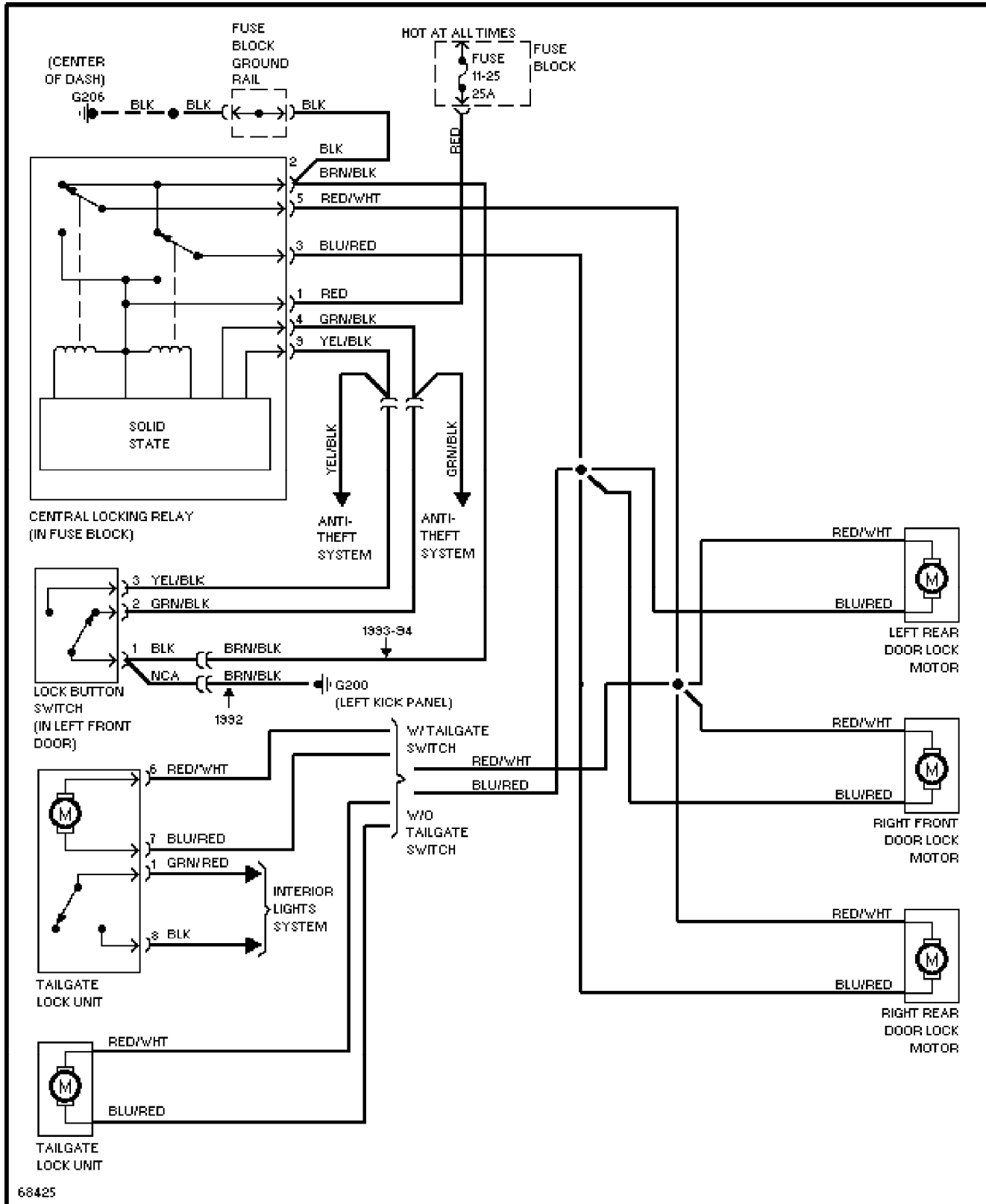
## Power Door Lock Circuit

1994 Volvo 960

For x

Copyright © 1998 Mitchell Repair Information Company, LLC

Saturday, July 24, 2004 10:07AM



# SYSTEM WIRING DIAGRAMS

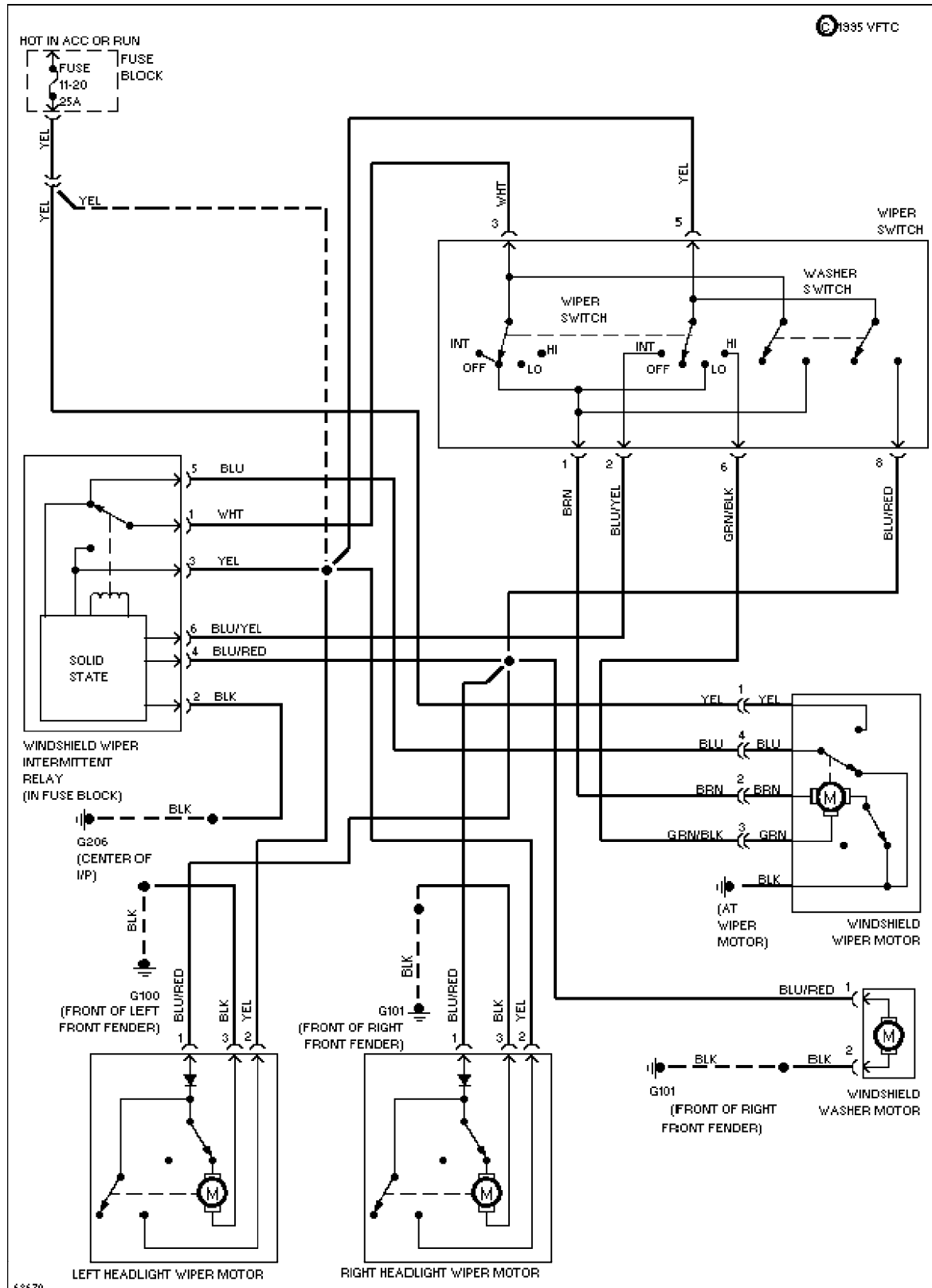
## Front Wiper/Washer & Headlamp Wiper/Washer Circuit

1994 Volvo 960

For x

Copyright © 1998 Mitchell Repair Information Company, LLC

Saturday, July 24, 2004 10:12AM



# SYSTEM WIRING DIAGRAMS

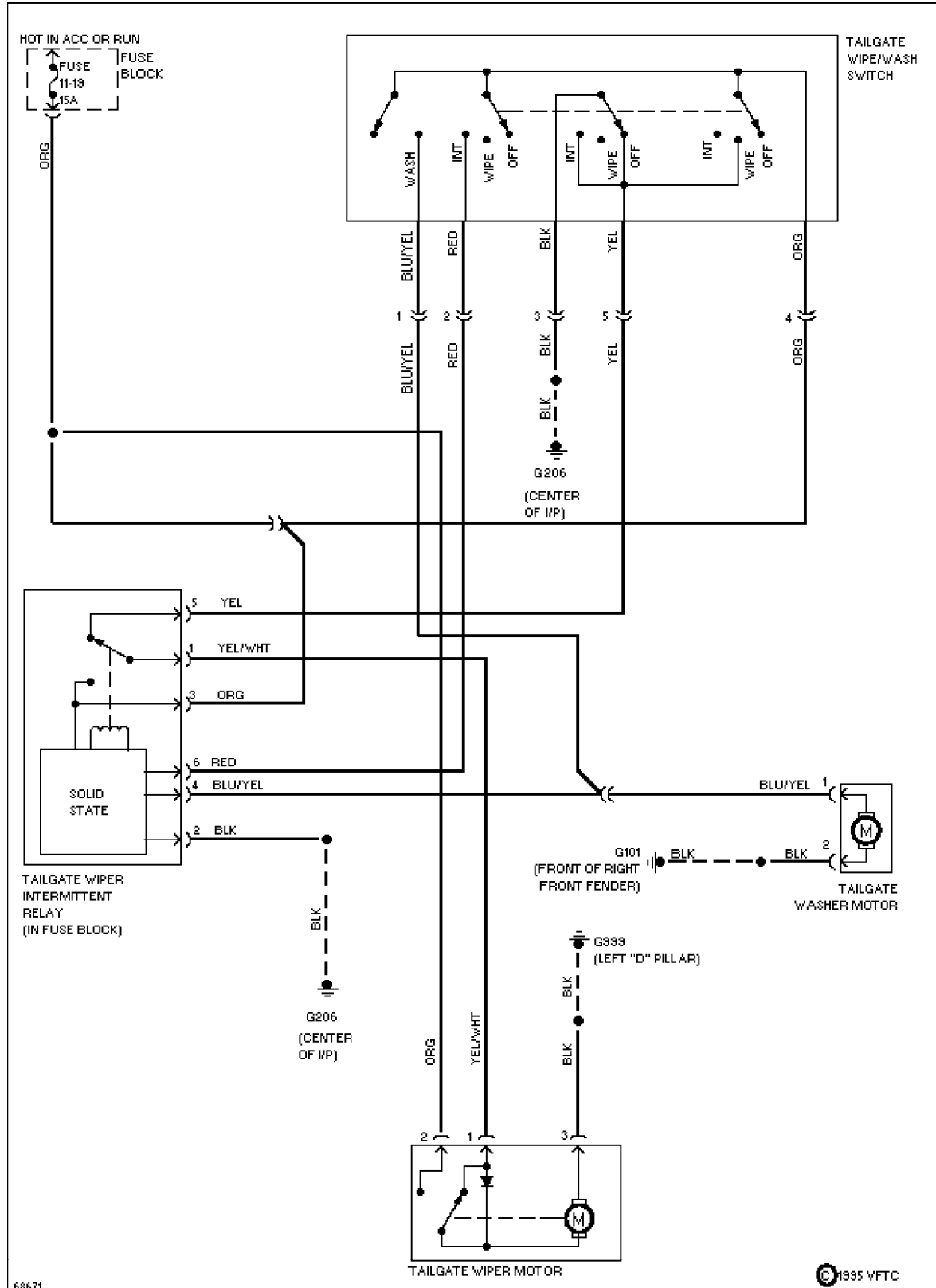
## Rear Wiper/Washer Circuit

1994 Volvo 960

For x

Copyright © 1998 Mitchell Repair Information Company, LLC

Saturday, July 24, 2004 10:12AM





# SYSTEM WIRING DIAGRAMS

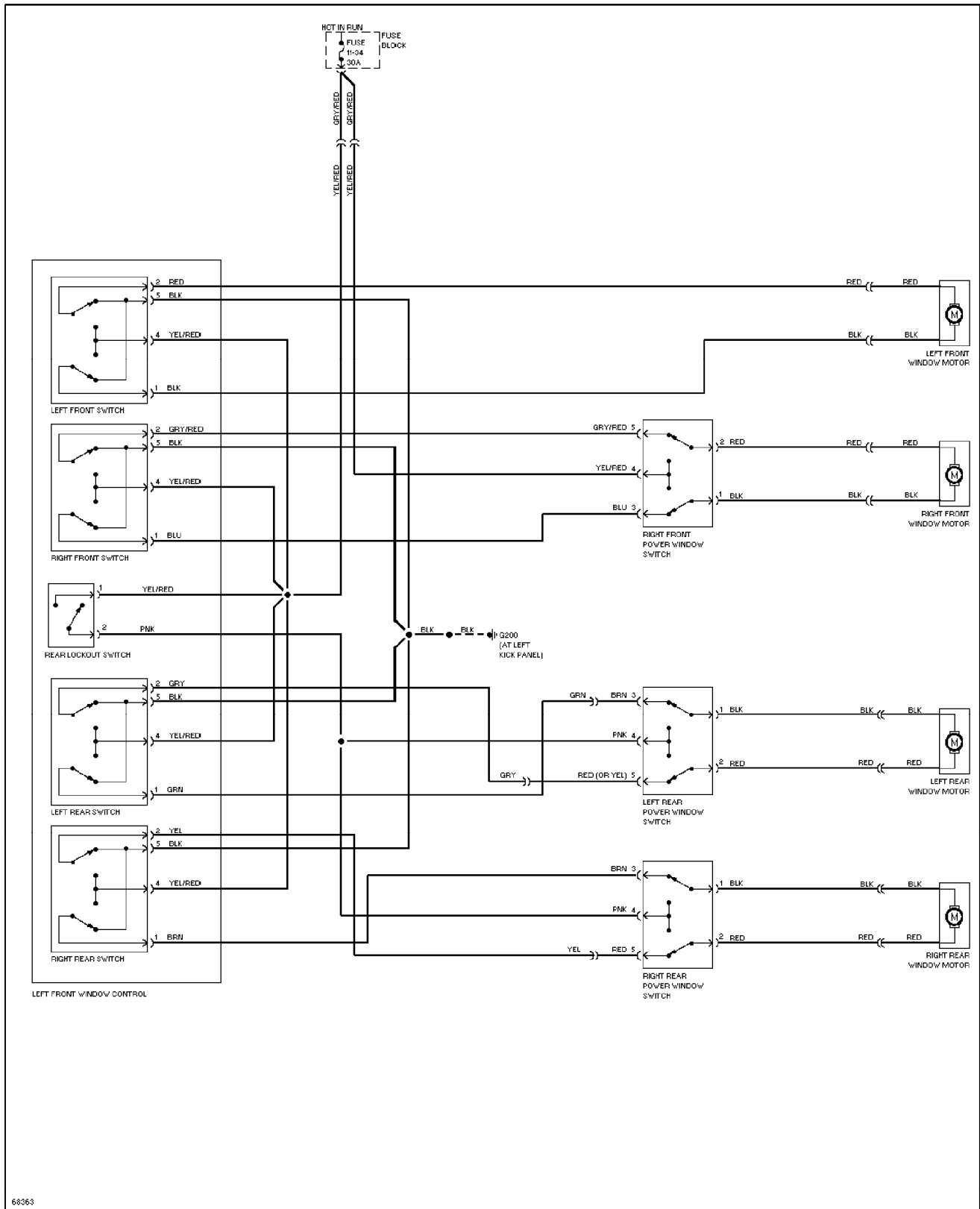
## Power Window Circuit

1994 Volvo 960

For x

Copyright © 1998 Mitchell Repair Information Company, LLC

Saturday, July 24, 2004 10:11AM



# SYSTEM WIRING DIAGRAMS

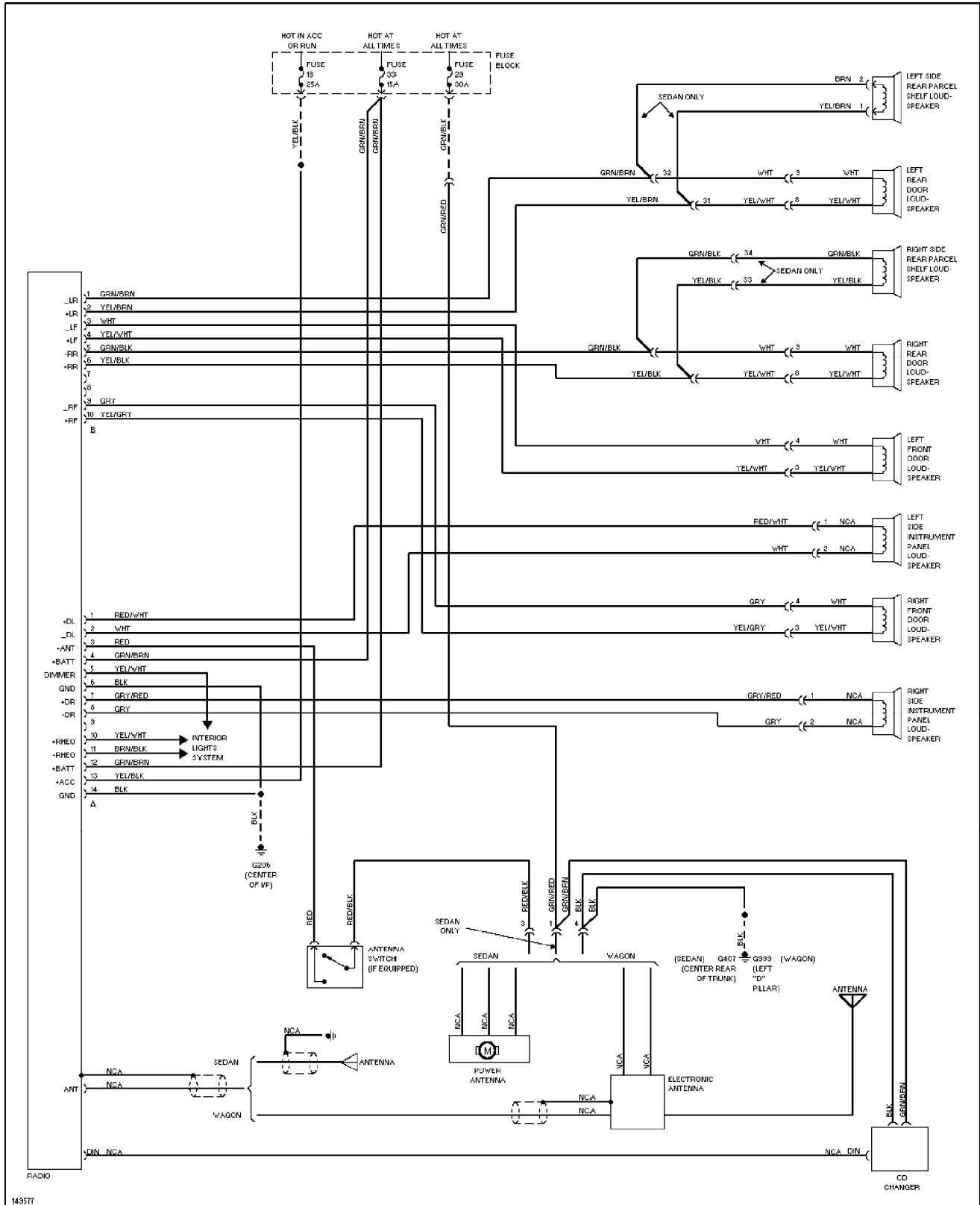
## Radio Circuits

1994 Volvo 960

For x

Copyright © 1998 Mitchell Repair Information Company, LLC

Saturday, July 24, 2004 10:11AM



# SYSTEM WIRING DIAGRAMS

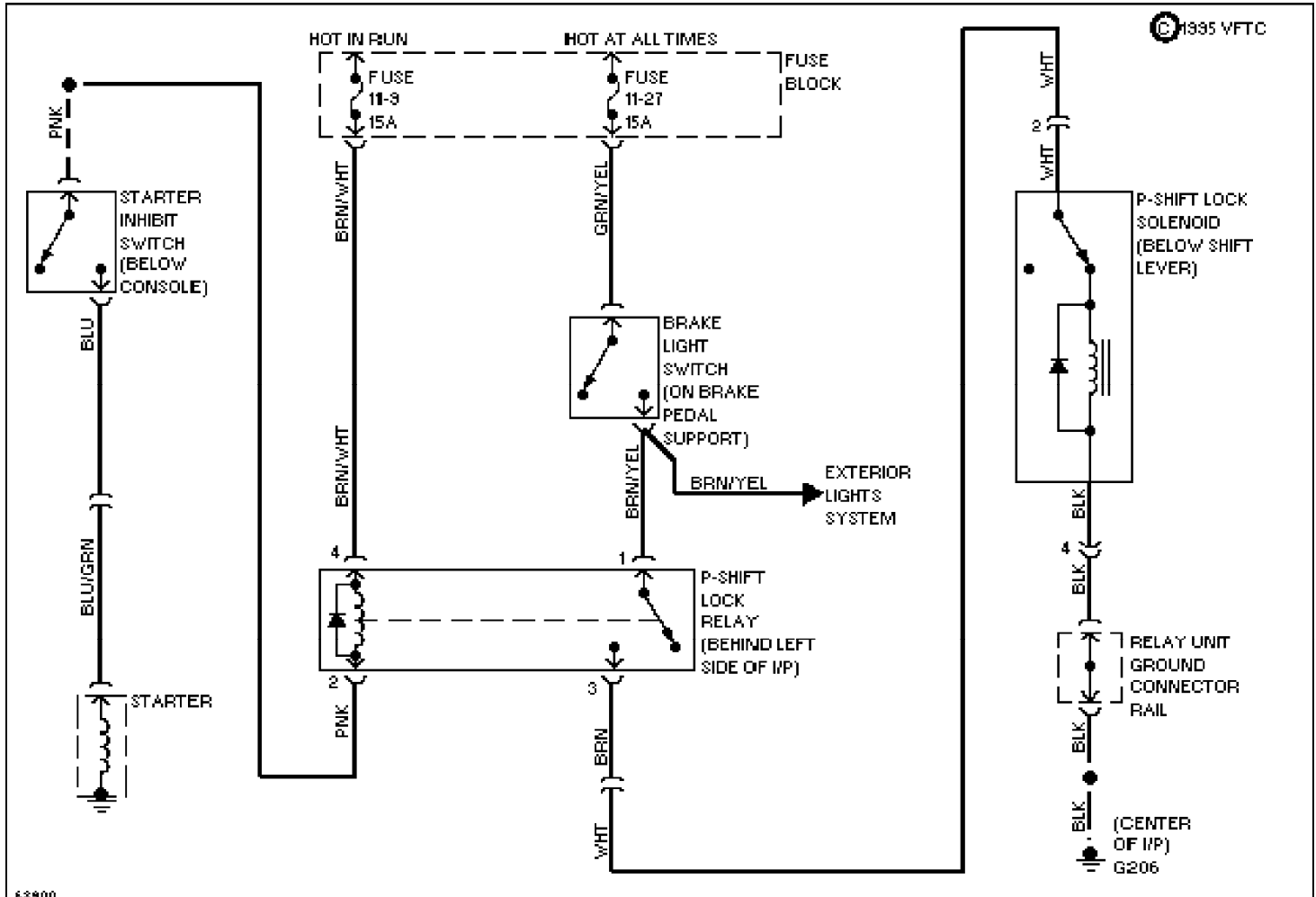
## Shift Interlock Circuit

1994 Volvo 960

For x

Copyright © 1998 Mitchell Repair Information Company, LLC

Saturday, July 24, 2004 10:11AM



# SYSTEM WIRING DIAGRAMS

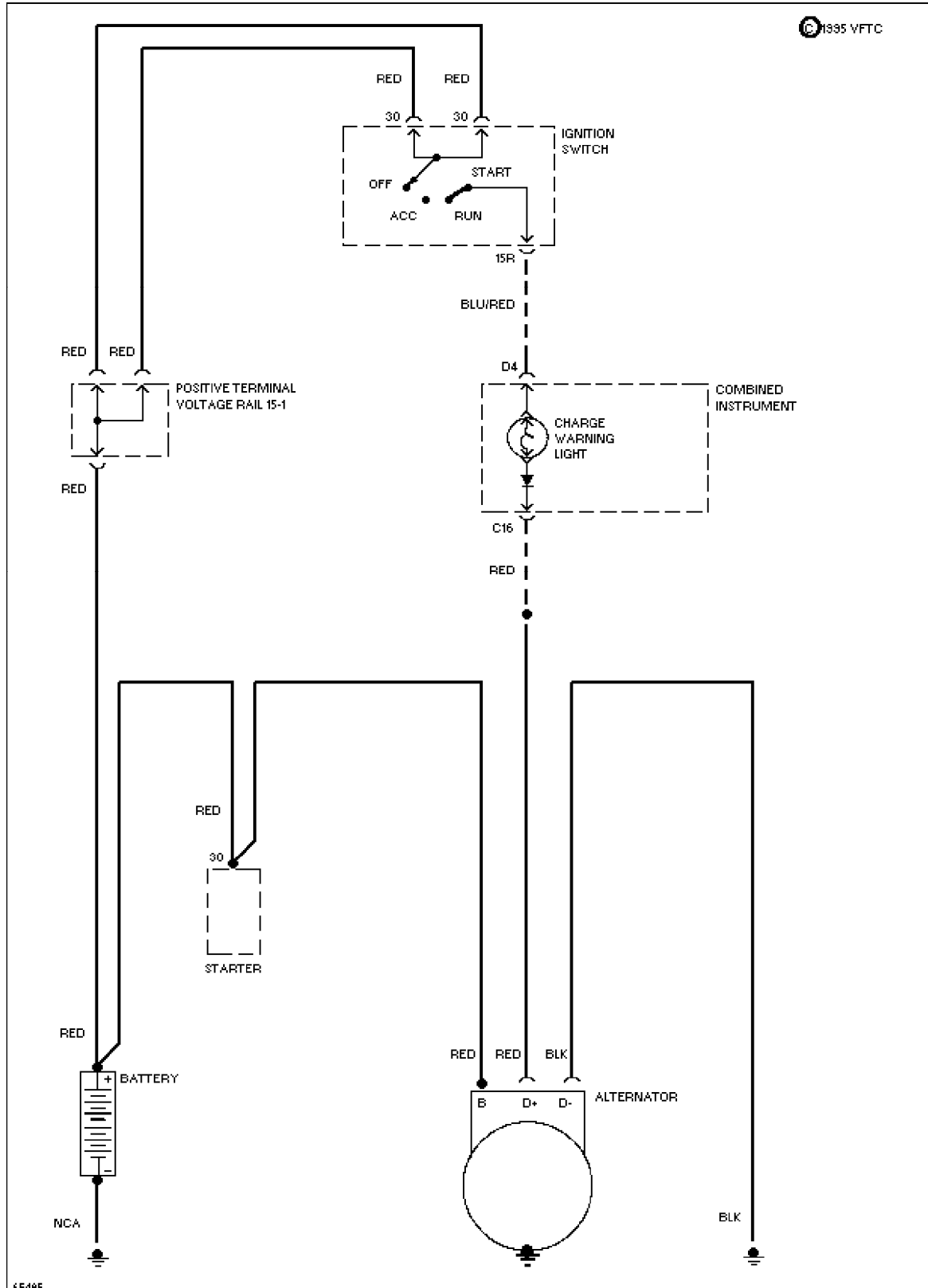
## Charging Circuit

1994 Volvo 960

For x

Copyright © 1998 Mitchell Repair Information Company, LLC

Saturday, July 24, 2004 10:11AM



# SYSTEM WIRING DIAGRAMS

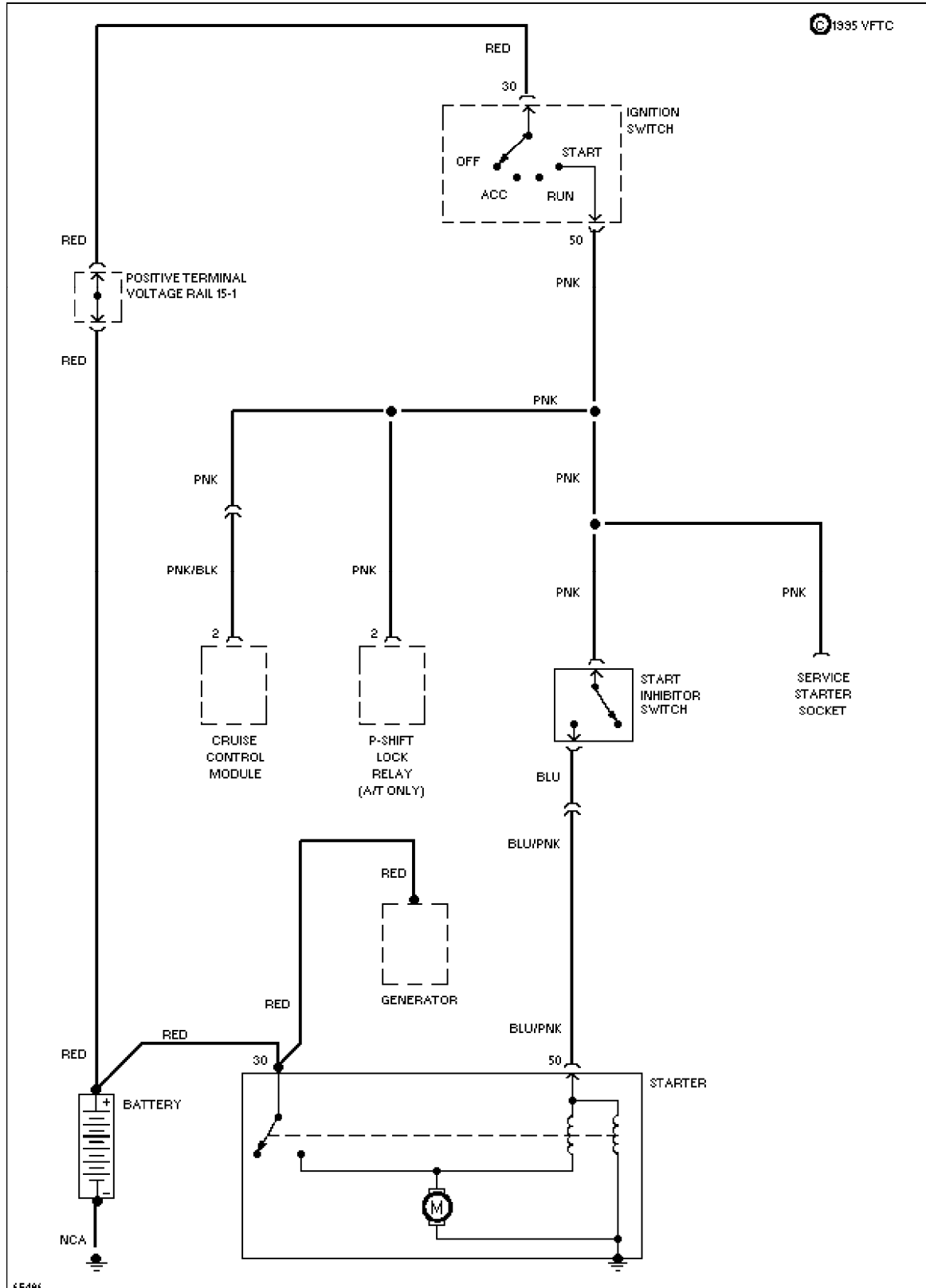
## Starting Circuit

1994 Volvo 960

For x

Copyright © 1998 Mitchell Repair Information Company, LLC

Saturday, July 24, 2004 10:12AM



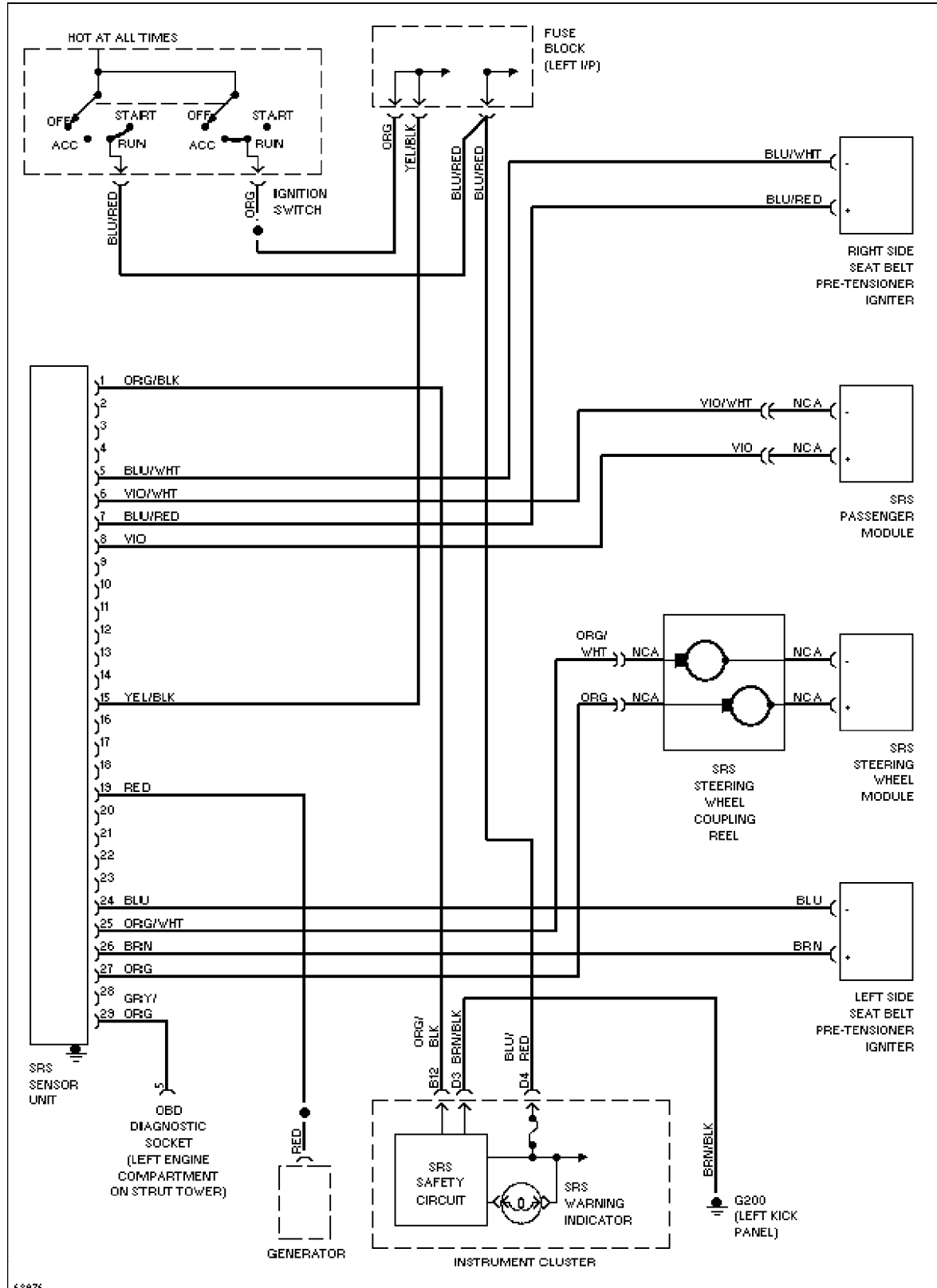
# SYSTEM WIRING DIAGRAMS

## Supplemental Restraint Circuit

1994 Volvo 960

For x

Copyright © 1998 Mitchell Repair Information Company, LLC  
 Saturday, July 24, 2004 10:12AM



# SYSTEM WIRING DIAGRAMS

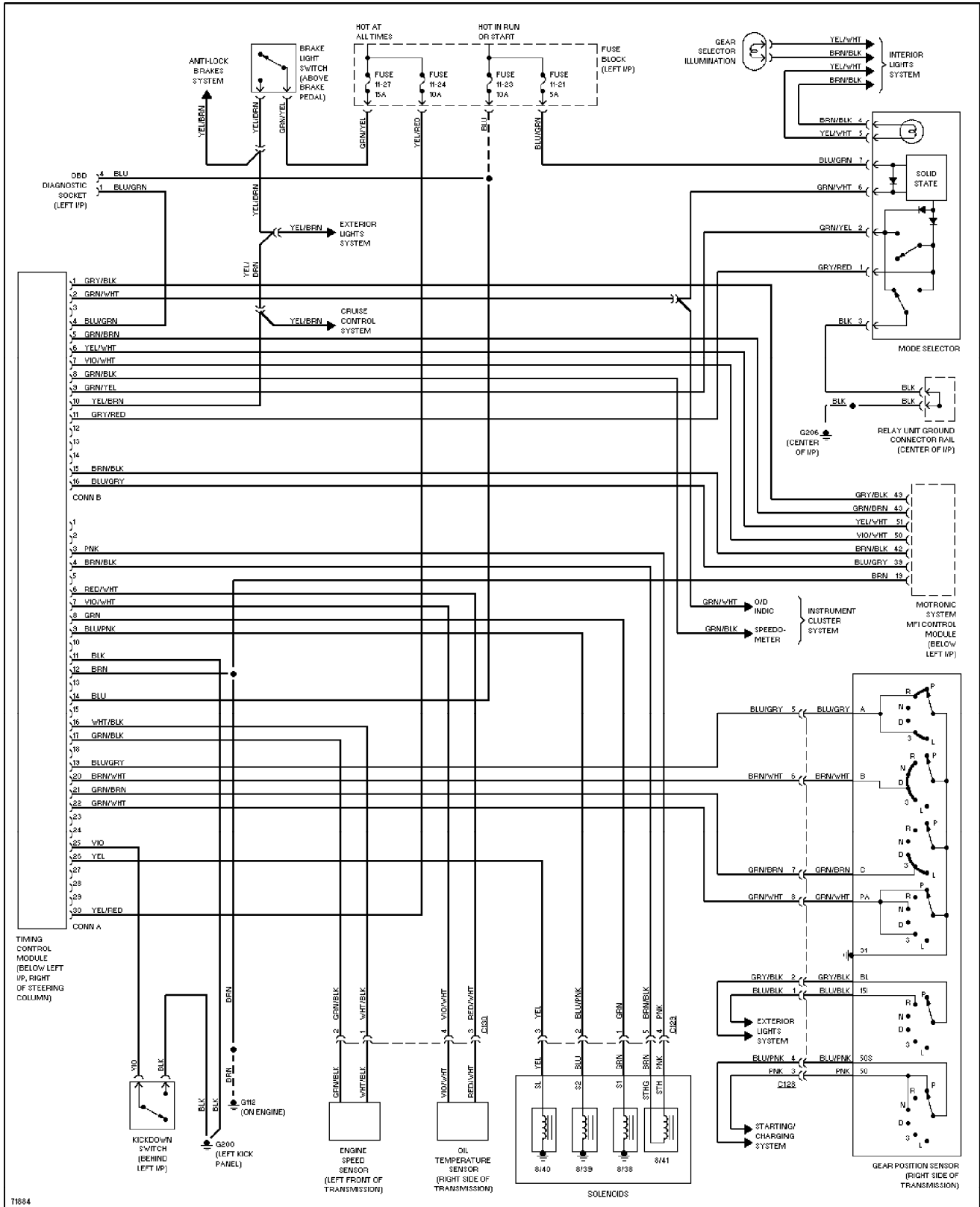
## Transmission Circuit

1994 Volvo 960

For x

Copyright © 1998 Mitchell Repair Information Company, LLC

Saturday, July 24, 2004 10:12AM



# SYSTEM WIRING DIAGRAMS

## Warning System Circuits

1994 Volvo 960

For x

Copyright © 1998 Mitchell Repair Information Company, LLC

Saturday, July 24, 2004 10:12AM

