

SYSTEM WIRING DIAGRAMS

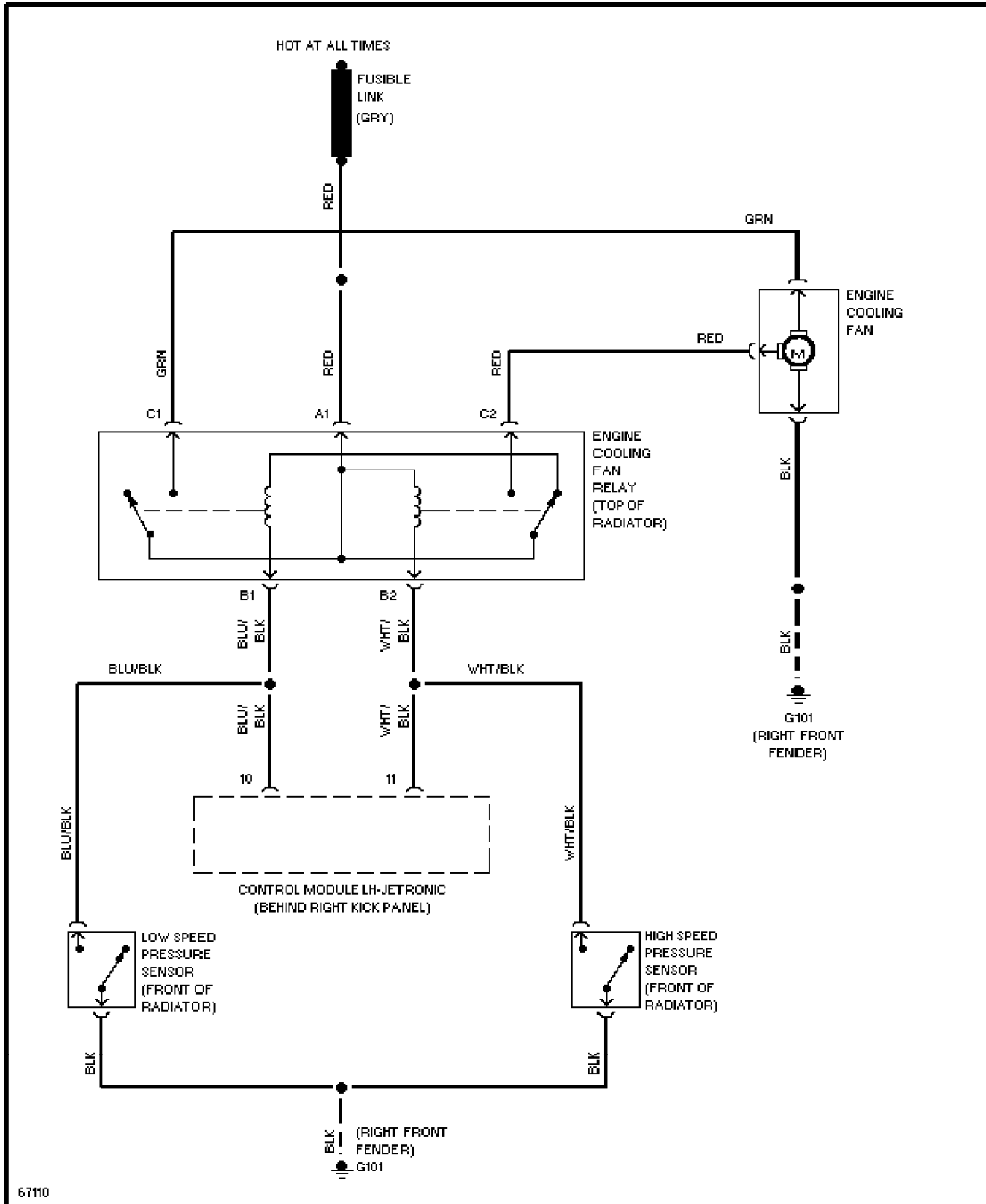
Cooling Fan Circuit

1992 Volvo 940

For x

Copyright © 1998 Mitchell Repair Information Company, LLC

Friday, July 23, 2004 11:29PM



SYSTEM WIRING DIAGRAMS

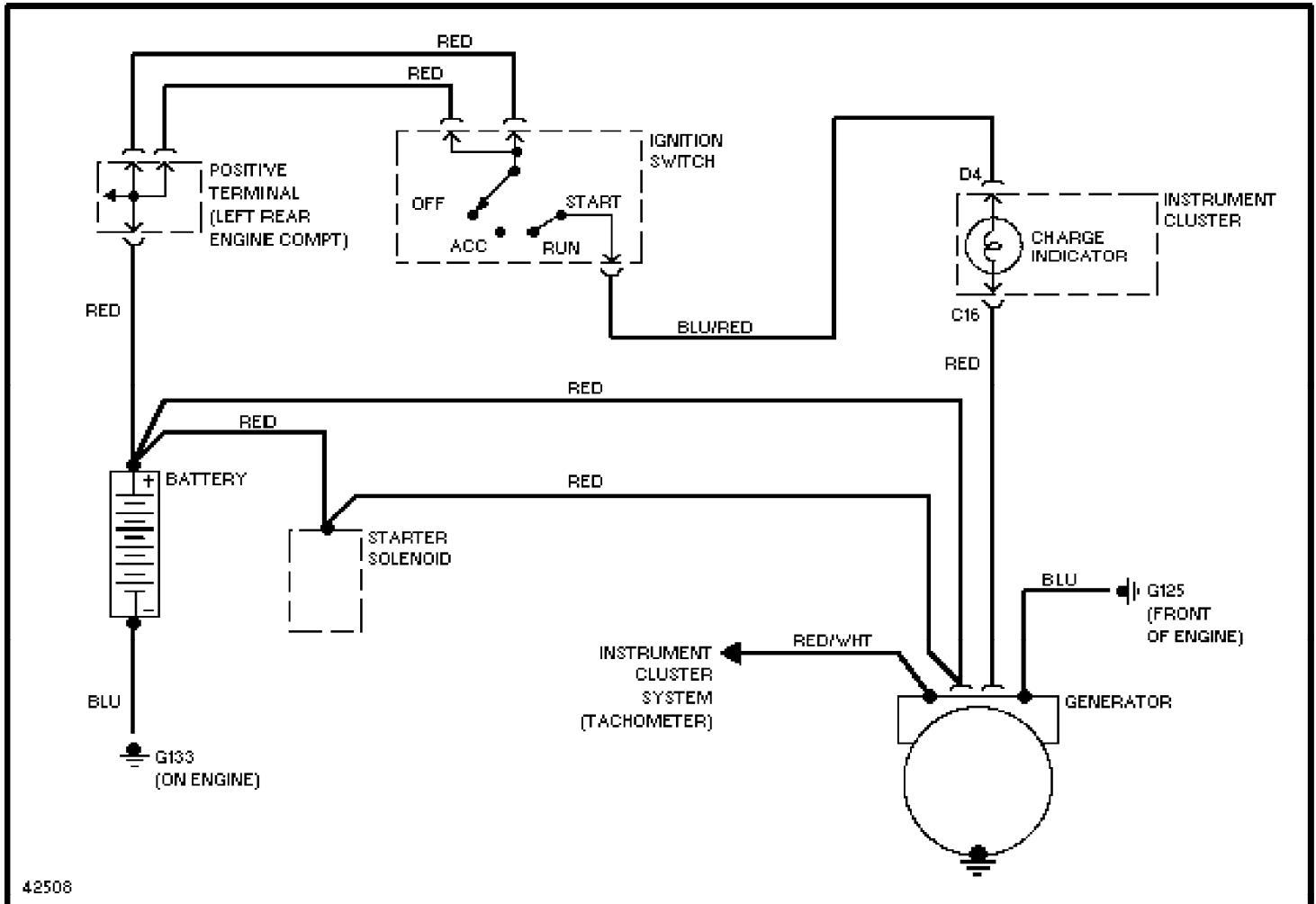
Charging Circuit

1992 Volvo 940

For x

Copyright © 1998 Mitchell Repair Information Company, LLC

Friday, July 23, 2004 11:32PM



SYSTEM WIRING DIAGRAMS

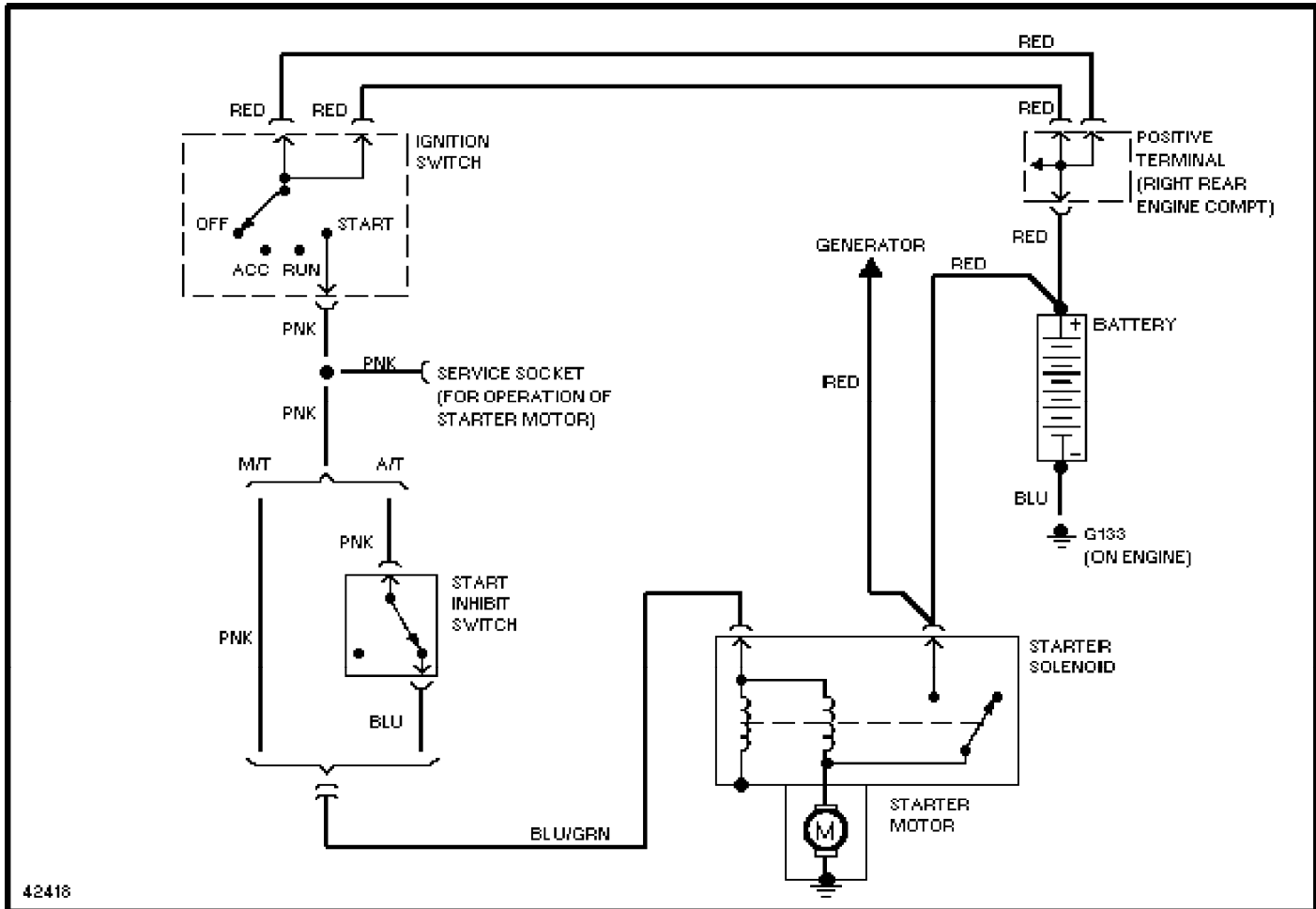
Starting Circuit

1992 Volvo 940

For x

Copyright © 1998 Mitchell Repair Information Company, LLC

Friday, July 23, 2004 11:32PM



42418

SYSTEM WIRING DIAGRAMS

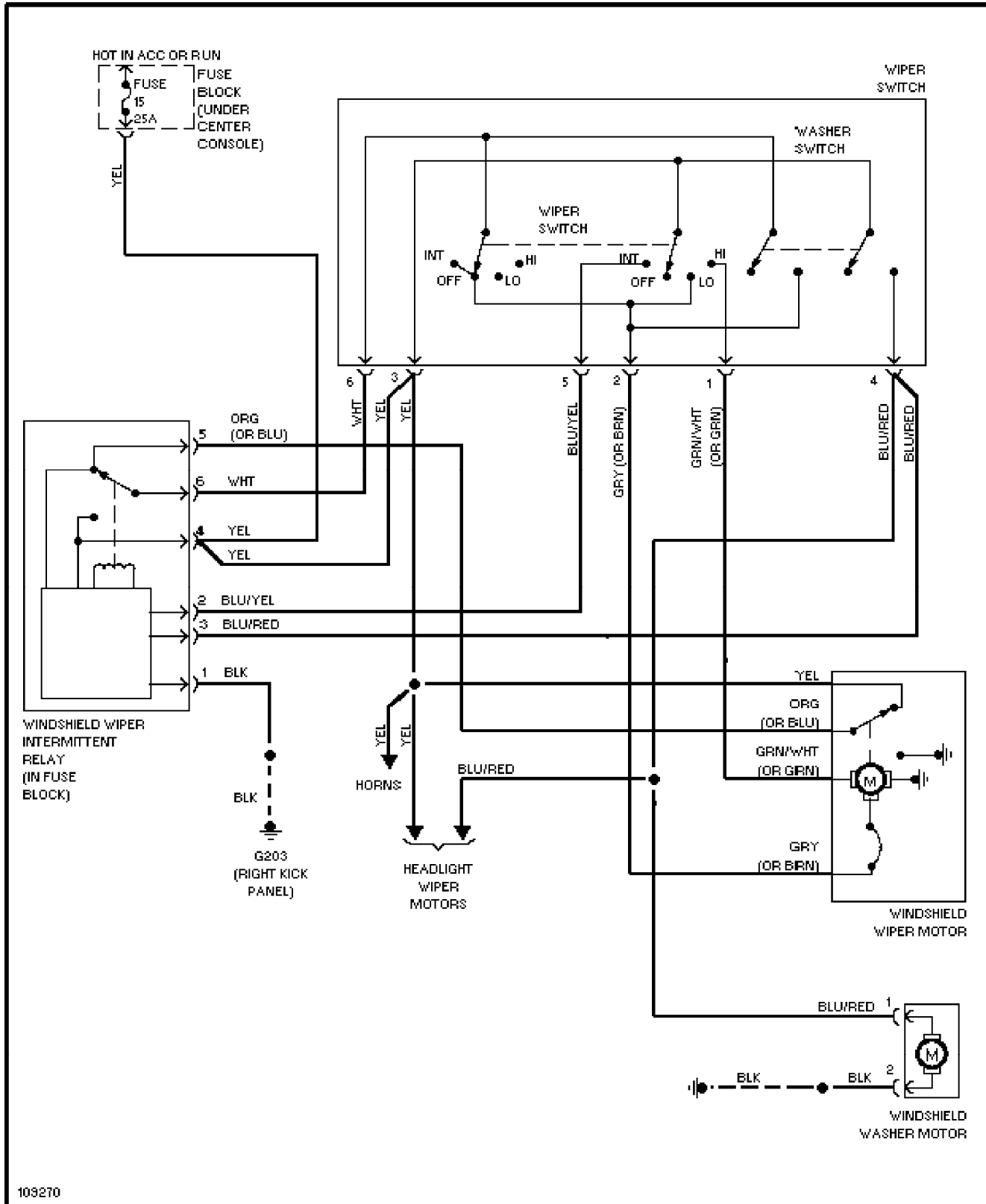
Front Wiper/Washer Circuit

1992 Volvo 940

For x

Copyright © 1998 Mitchell Repair Information Company, LLC

Friday, July 23, 2004 11:32PM



SYSTEM WIRING DIAGRAMS

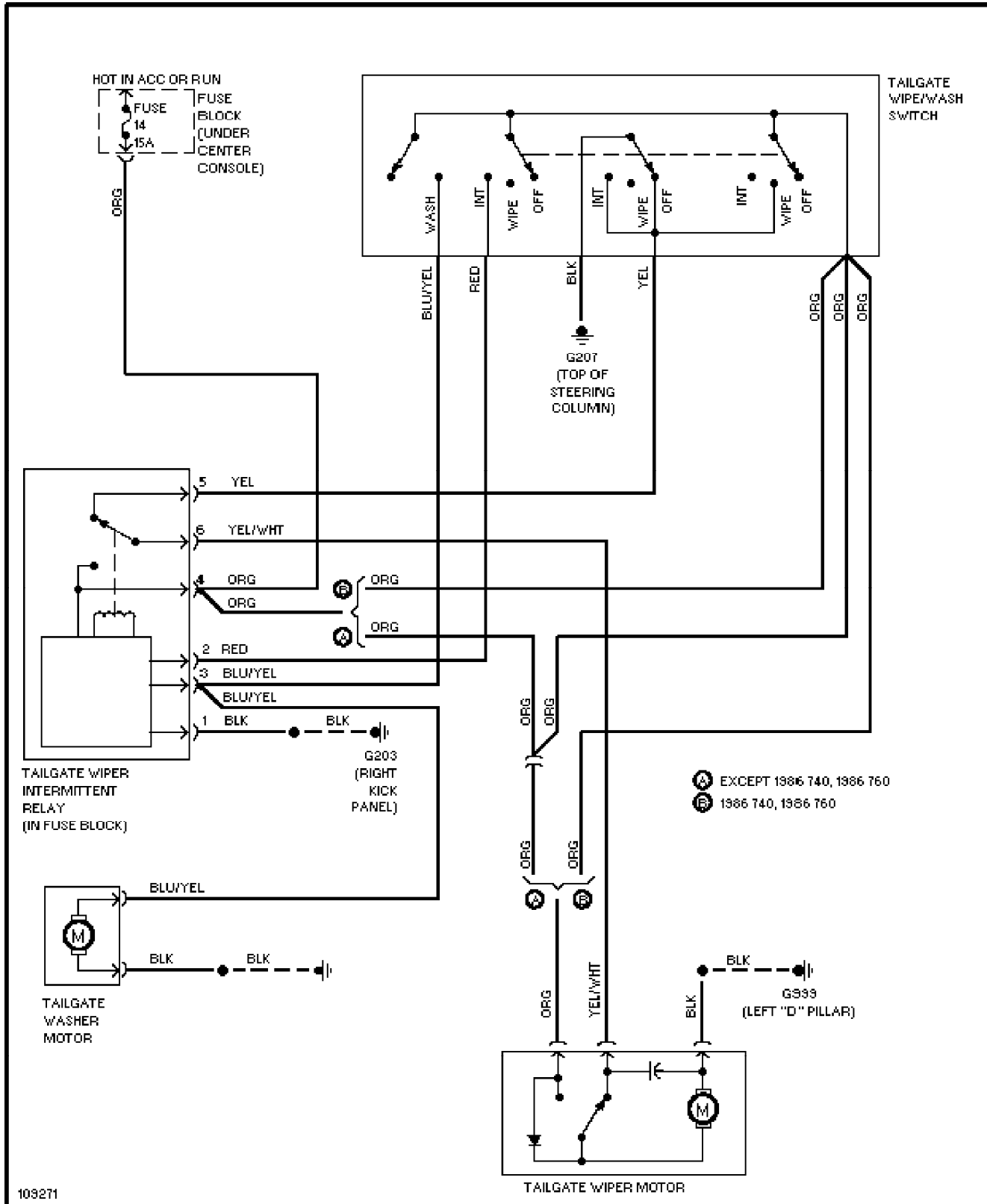
Rear Wiper/Washer Circuit

1992 Volvo 940

For x

Copyright © 1998 Mitchell Repair Information Company, LLC

Friday, July 23, 2004 11:32PM



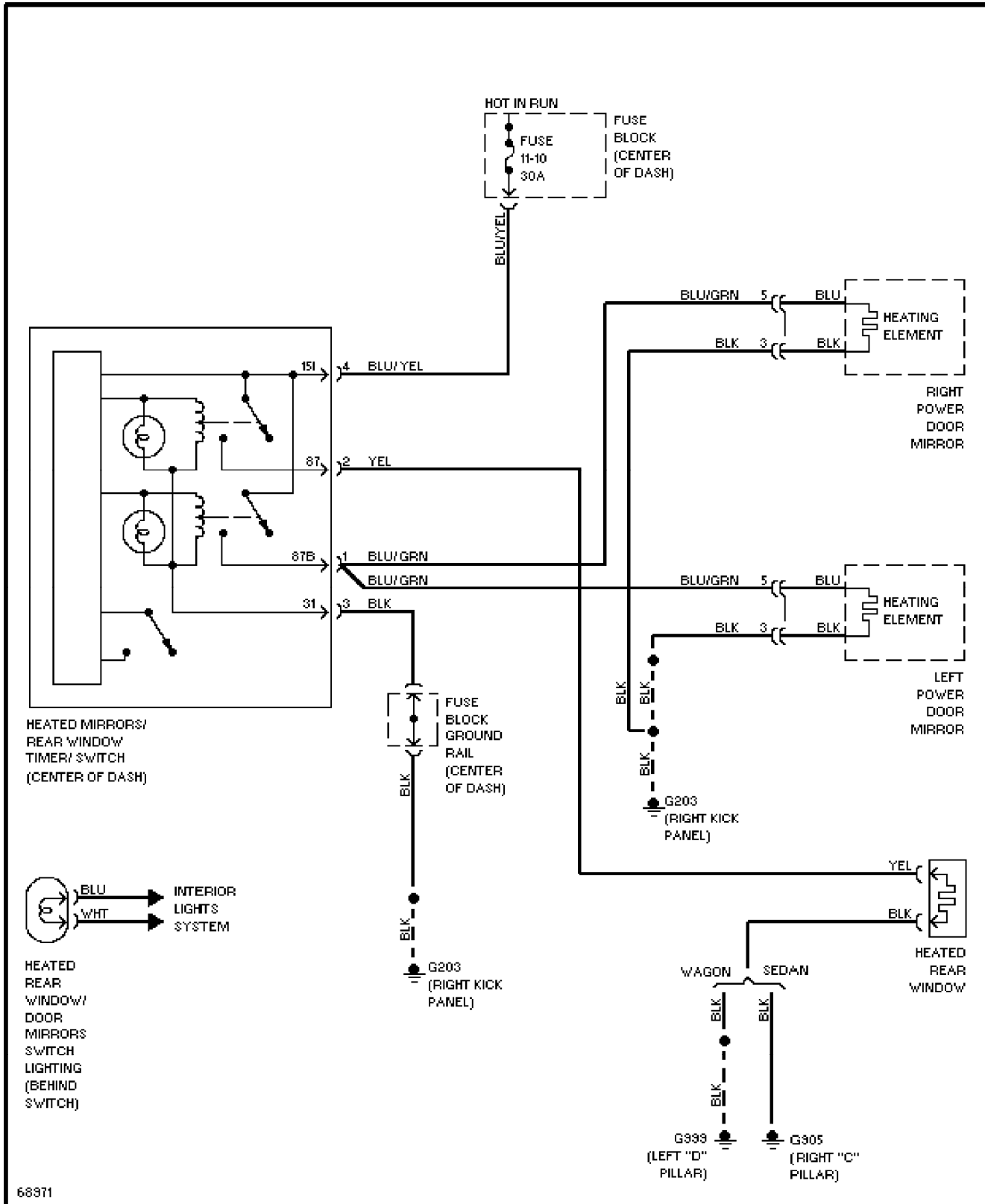
SYSTEM WIRING DIAGRAMS

Rear Defogger & Heated Mirrors Circuit

1992 Volvo 940

For x

Copyright © 1998 Mitchell Repair Information Company, LLC
Friday, July 23, 2004 11:31PM



SYSTEM WIRING DIAGRAMS

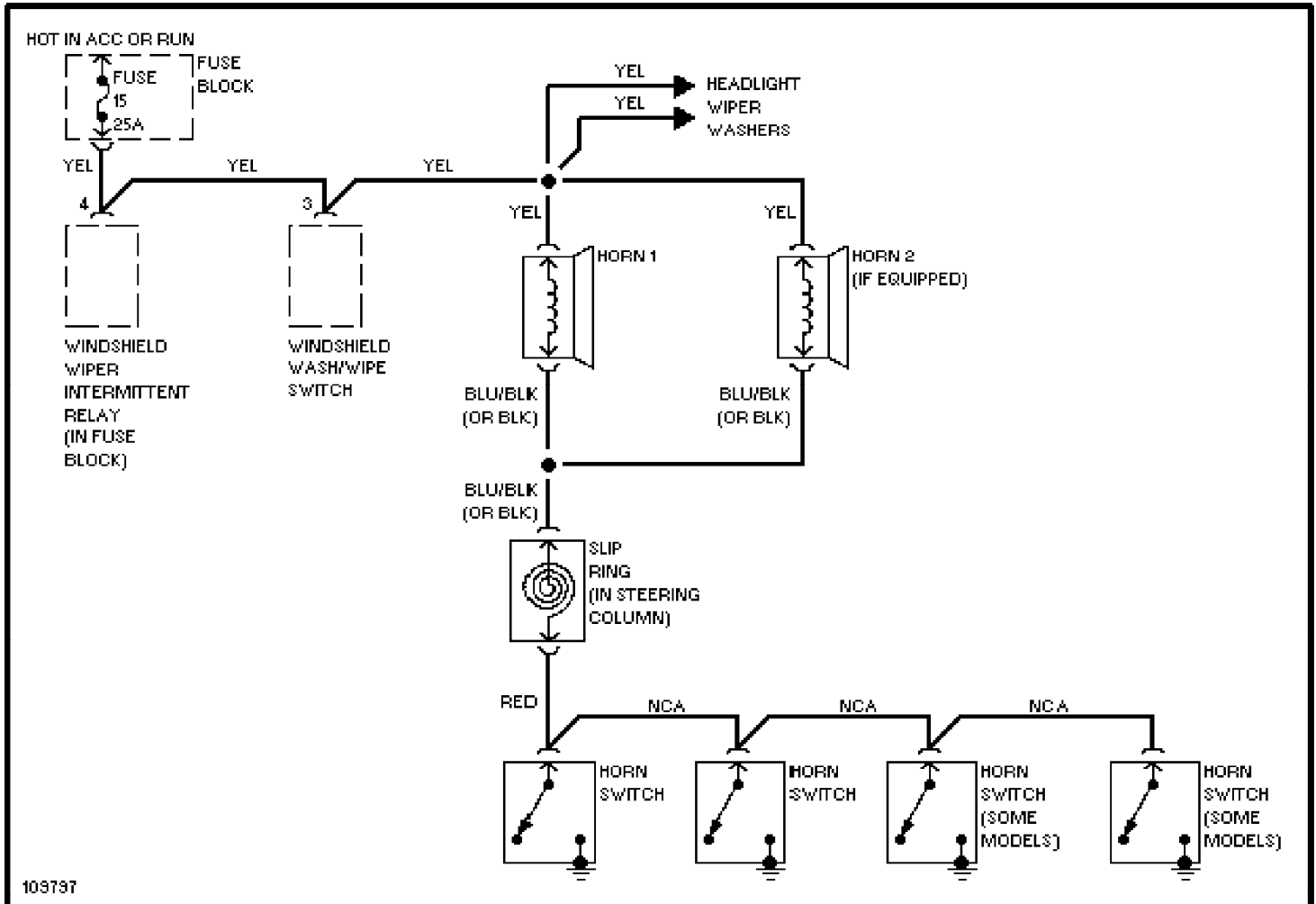
Horn Circuit

1992 Volvo 940

For x

Copyright © 1998 Mitchell Repair Information Company, LLC

Friday, July 23, 2004 11:31PM



SYSTEM WIRING DIAGRAMS

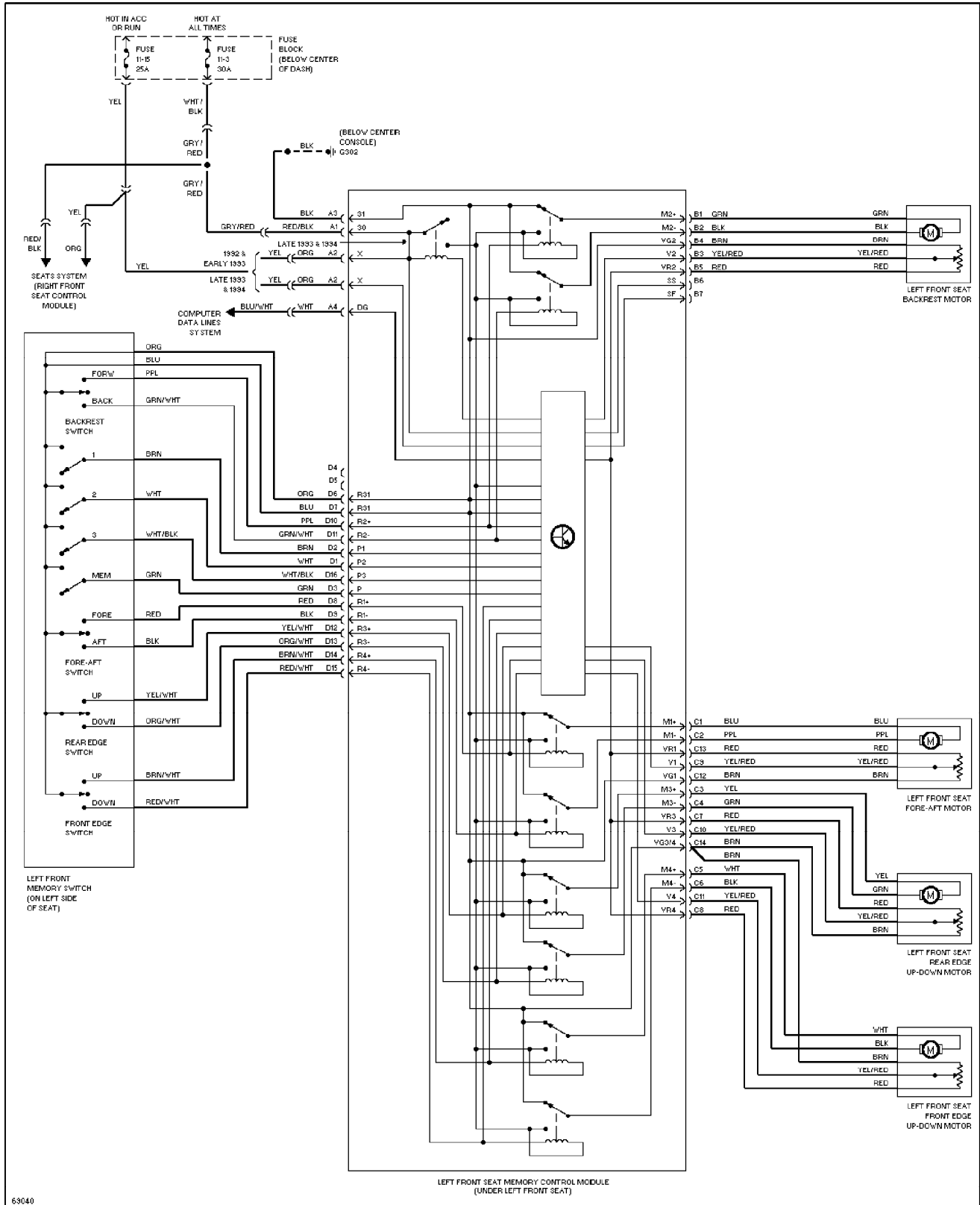
Memory Seat Circuit

1992 Volvo 940

For x

Copyright © 1998 Mitchell Repair Information Company, LLC

Friday, July 23, 2004 11:31PM



SYSTEM WIRING DIAGRAMS

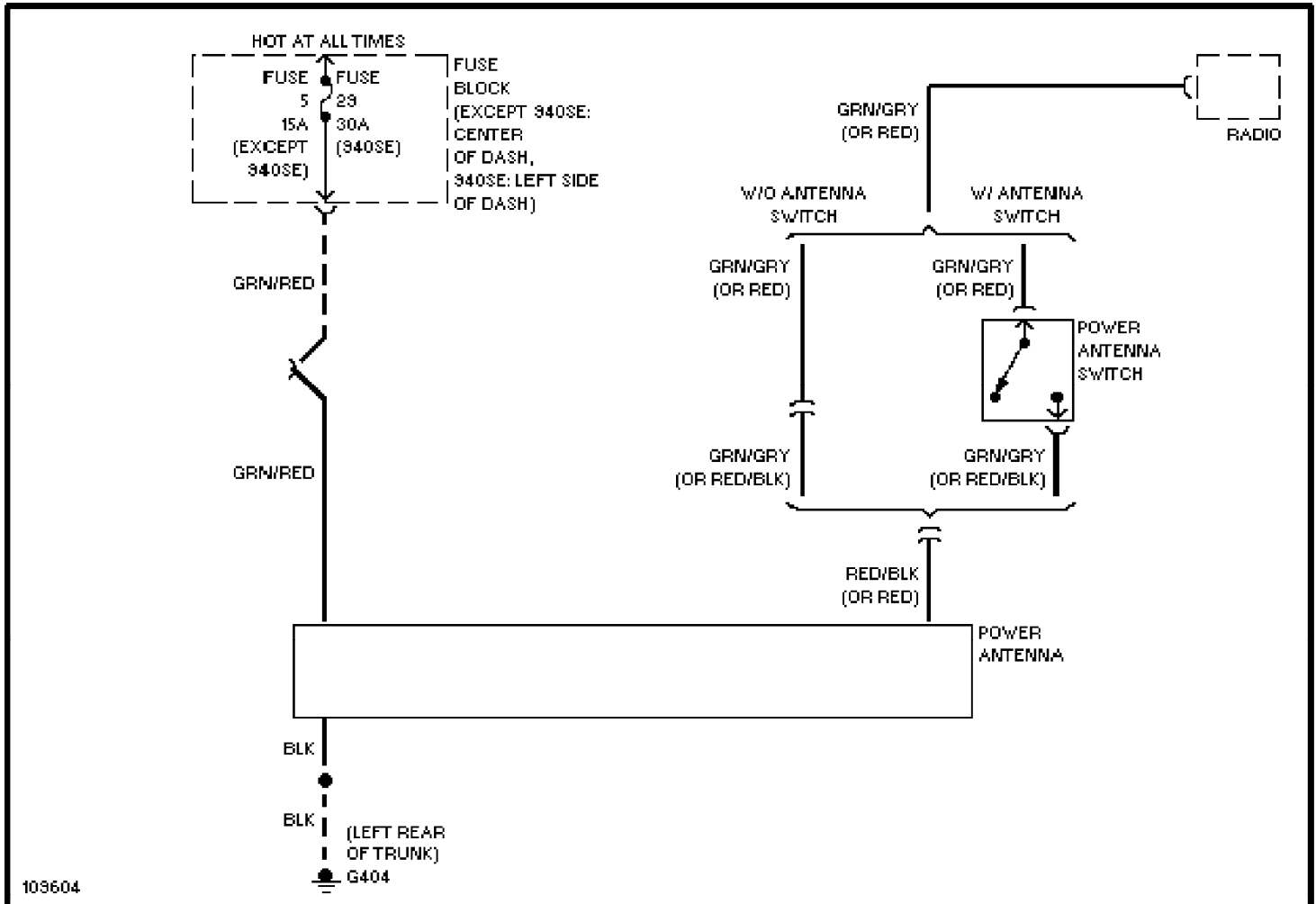
Power Antenna Circuit

1992 Volvo 940

For x

Copyright © 1998 Mitchell Repair Information Company, LLC

Friday, July 23, 2004 11:31PM



SYSTEM WIRING DIAGRAMS

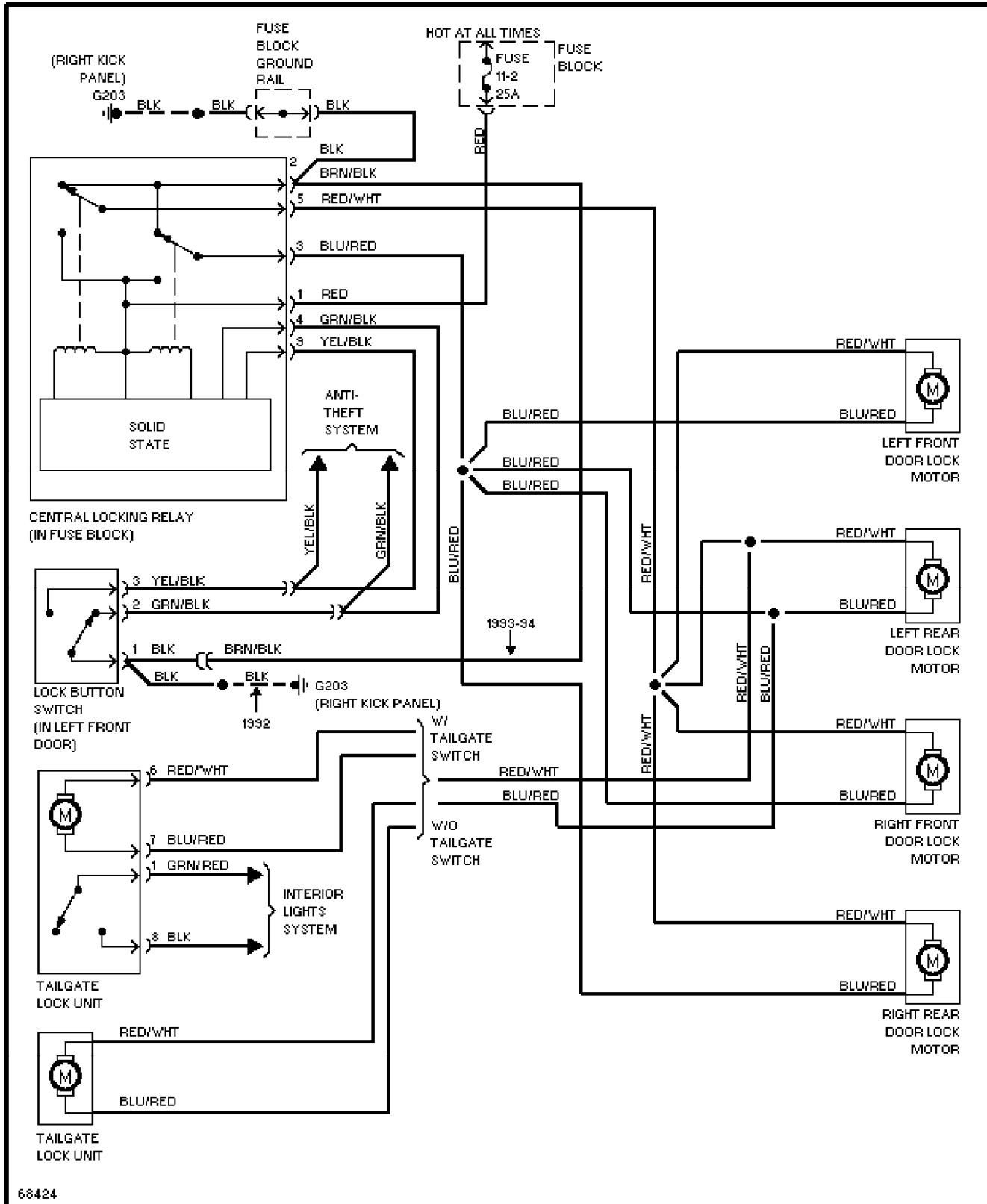
Power Door Lock Circuit

1992 Volvo 940

For x

Copyright © 1998 Mitchell Repair Information Company, LLC

Friday, July 23, 2004 11:31PM



SYSTEM WIRING DIAGRAMS

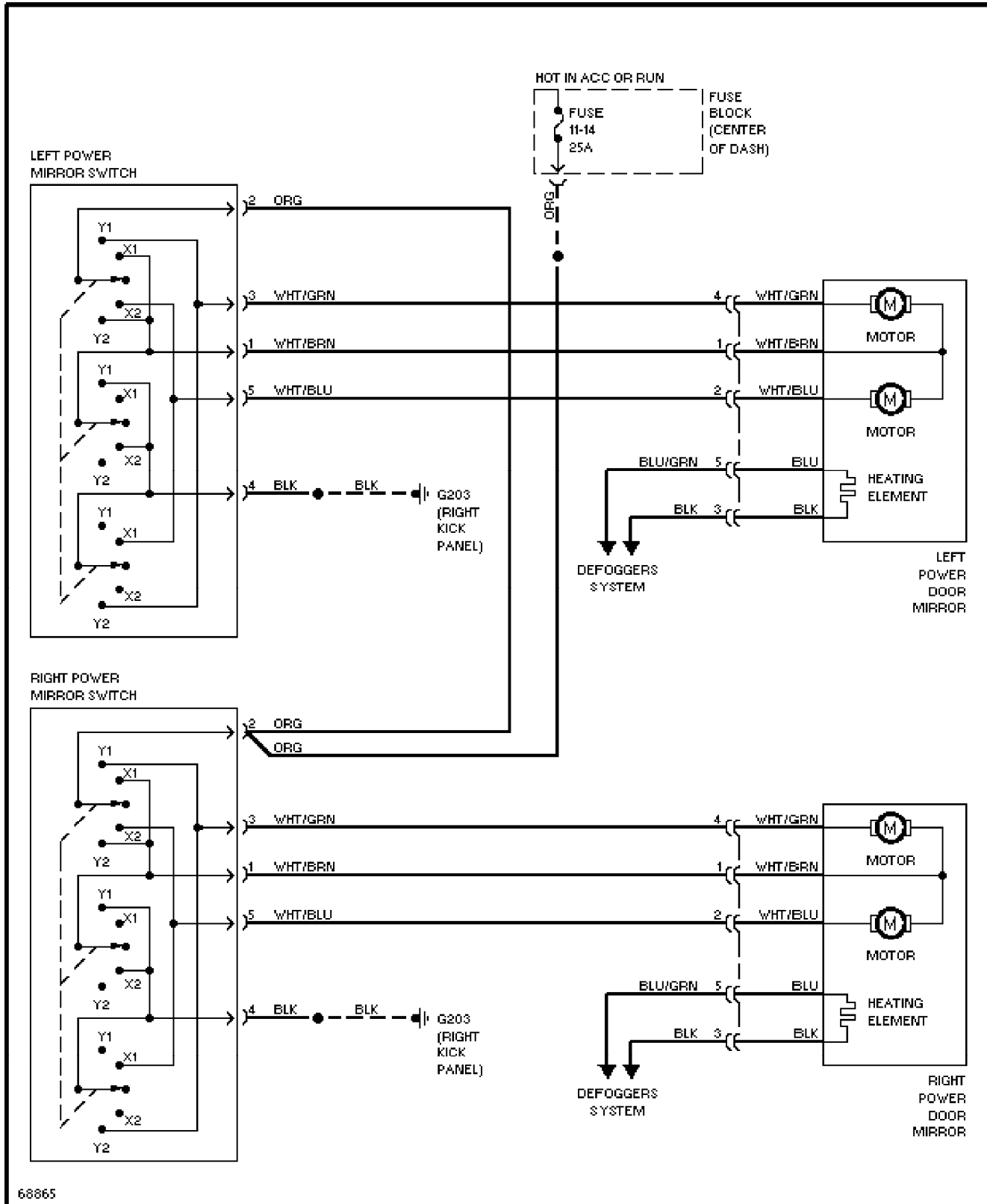
Power Mirror Circuit

1992 Volvo 940

For x

Copyright © 1998 Mitchell Repair Information Company, LLC

Friday, July 23, 2004 11:31PM



SYSTEM WIRING DIAGRAMS

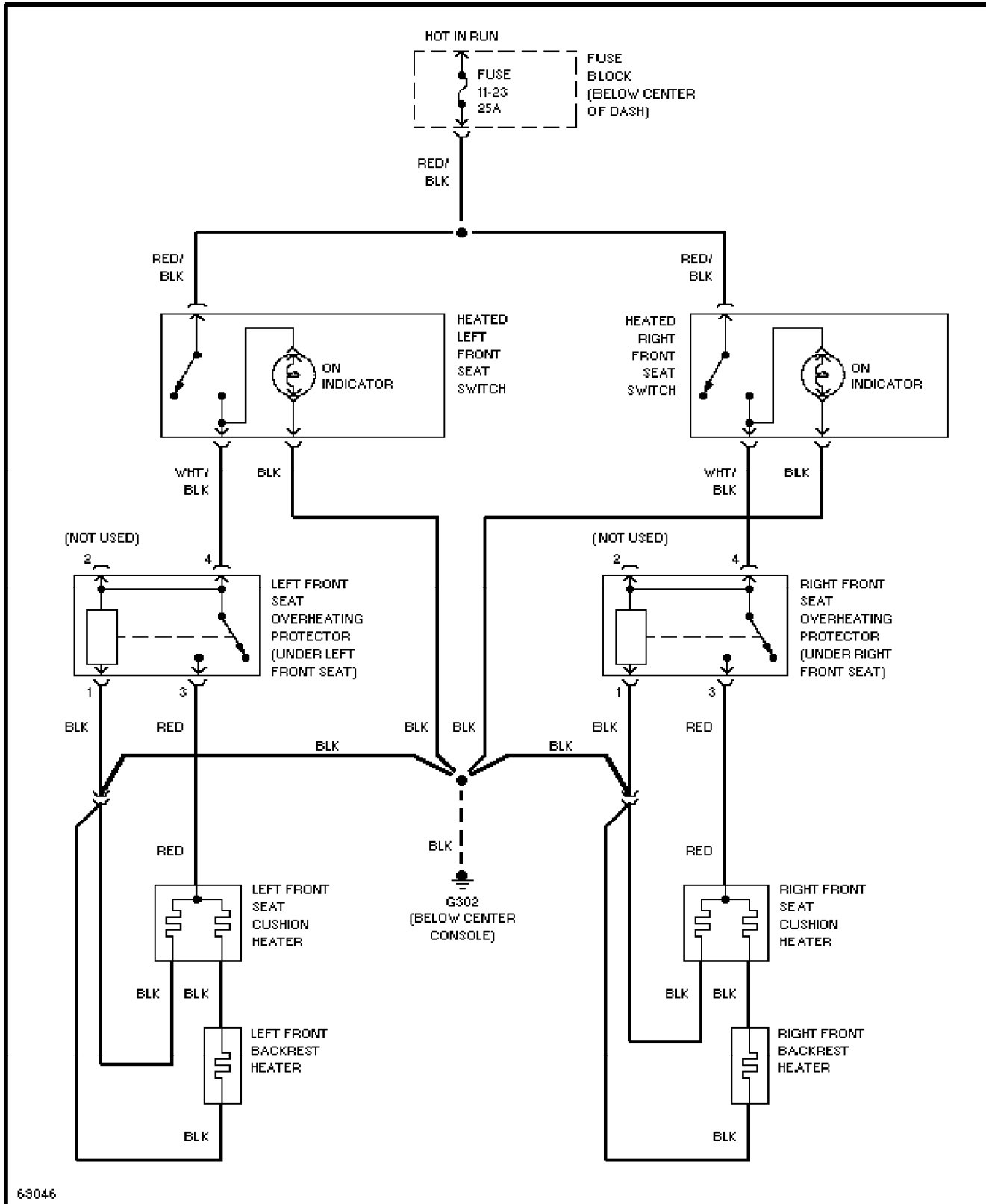
Heated Seats Circuit, High Output

1992 Volvo 940

For x

Copyright © 1998 Mitchell Repair Information Company, LLC

Friday, July 23, 2004 11:31PM



SYSTEM WIRING DIAGRAMS

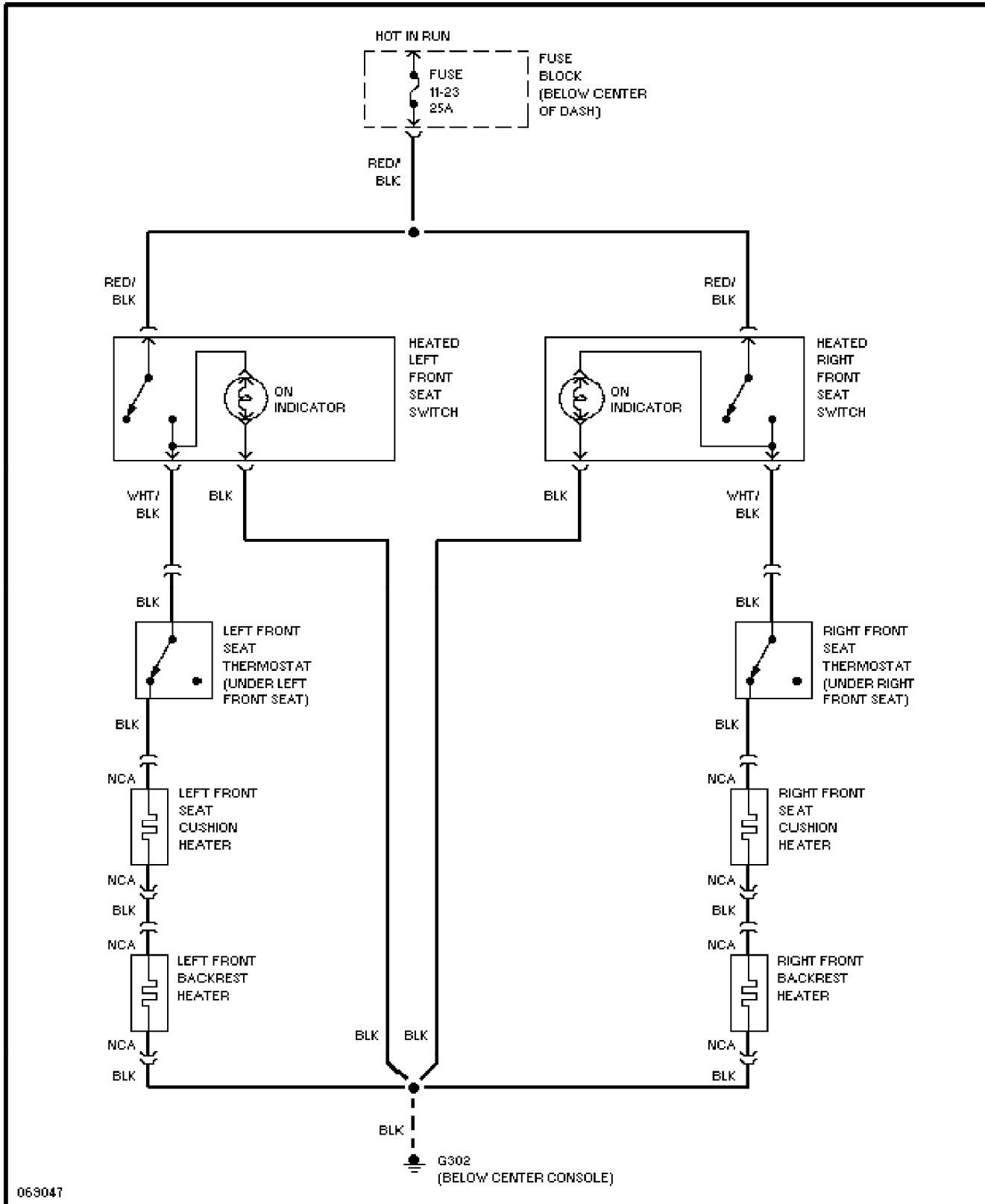
Heated Seats Circuit, Normal Output

1992 Volvo 940

For x

Copyright © 1998 Mitchell Repair Information Company, LLC

Friday, July 23, 2004 11:31PM



SYSTEM WIRING DIAGRAMS

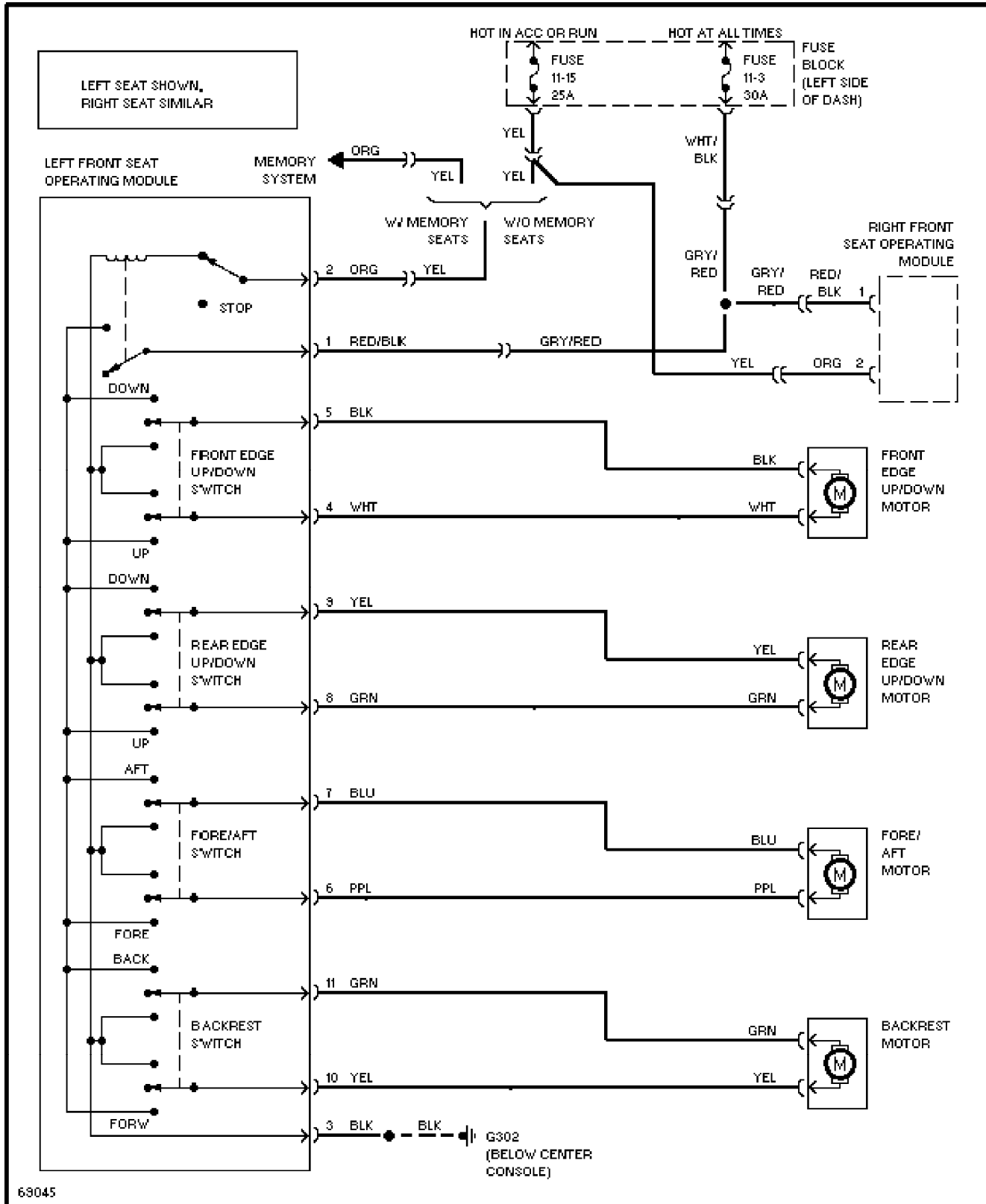
Power Seats Circuit

1992 Volvo 940

For x

Copyright © 1998 Mitchell Repair Information Company, LLC

Friday, July 23, 2004 11:31PM



SYSTEM WIRING DIAGRAMS

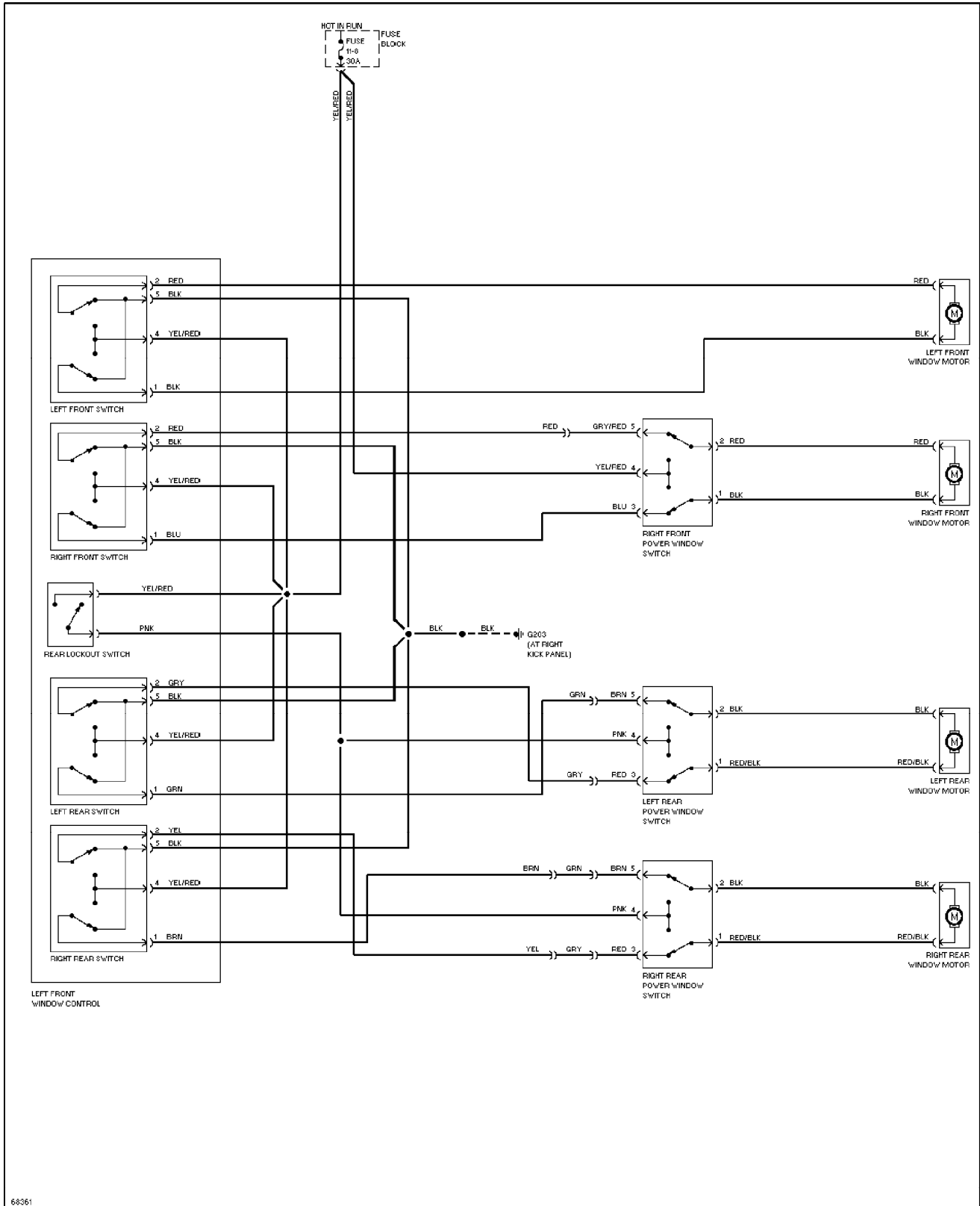
Power Window Circuit

1992 Volvo 940

For x

Copyright © 1998 Mitchell Repair Information Company, LLC

Friday, July 23, 2004 11:32PM



SYSTEM WIRING DIAGRAMS

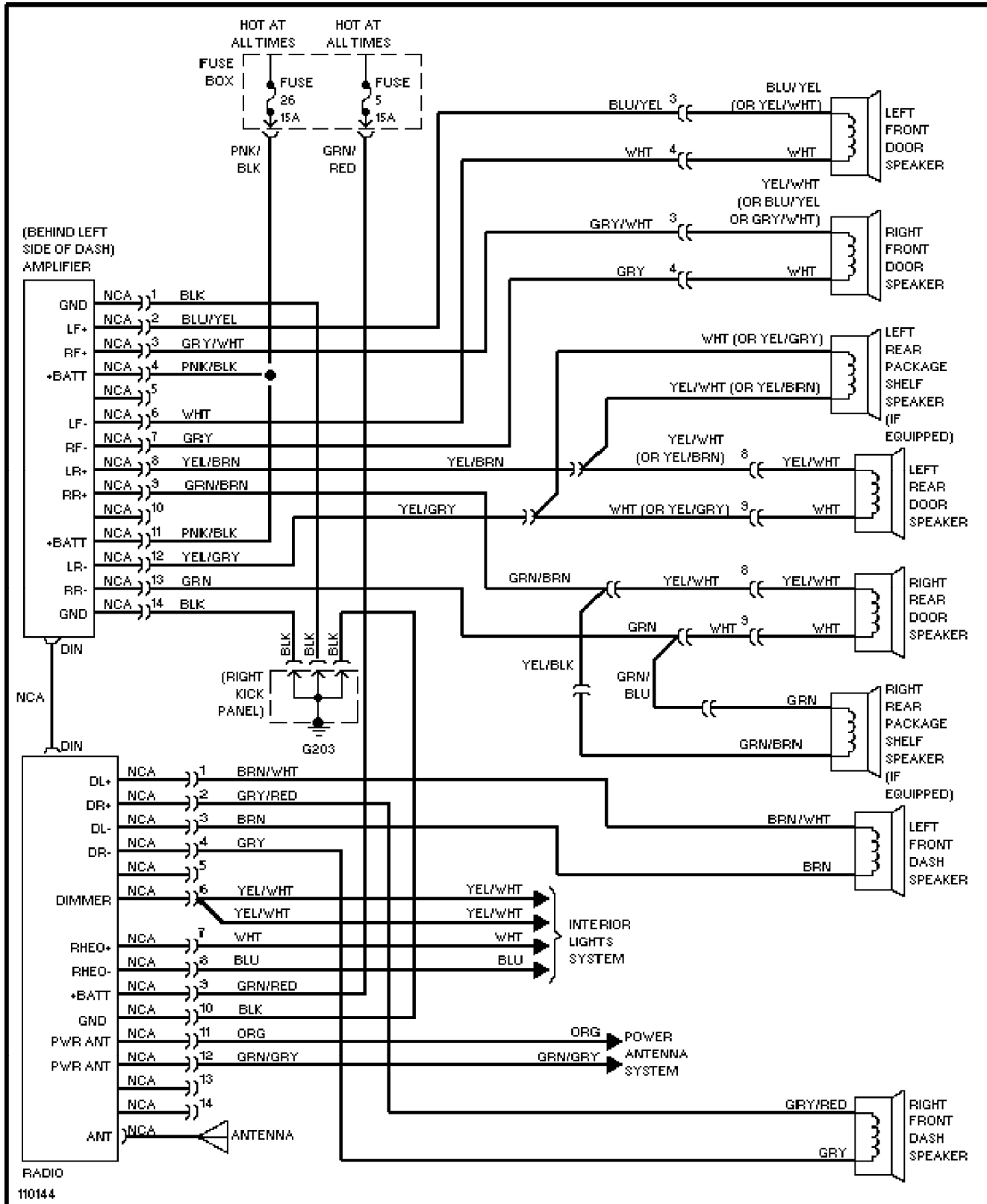
Radio Circuits

1992 Volvo 940

For x

Copyright © 1998 Mitchell Repair Information Company, LLC

Friday, July 23, 2004 11:32PM



WIRING DIAGRAMS

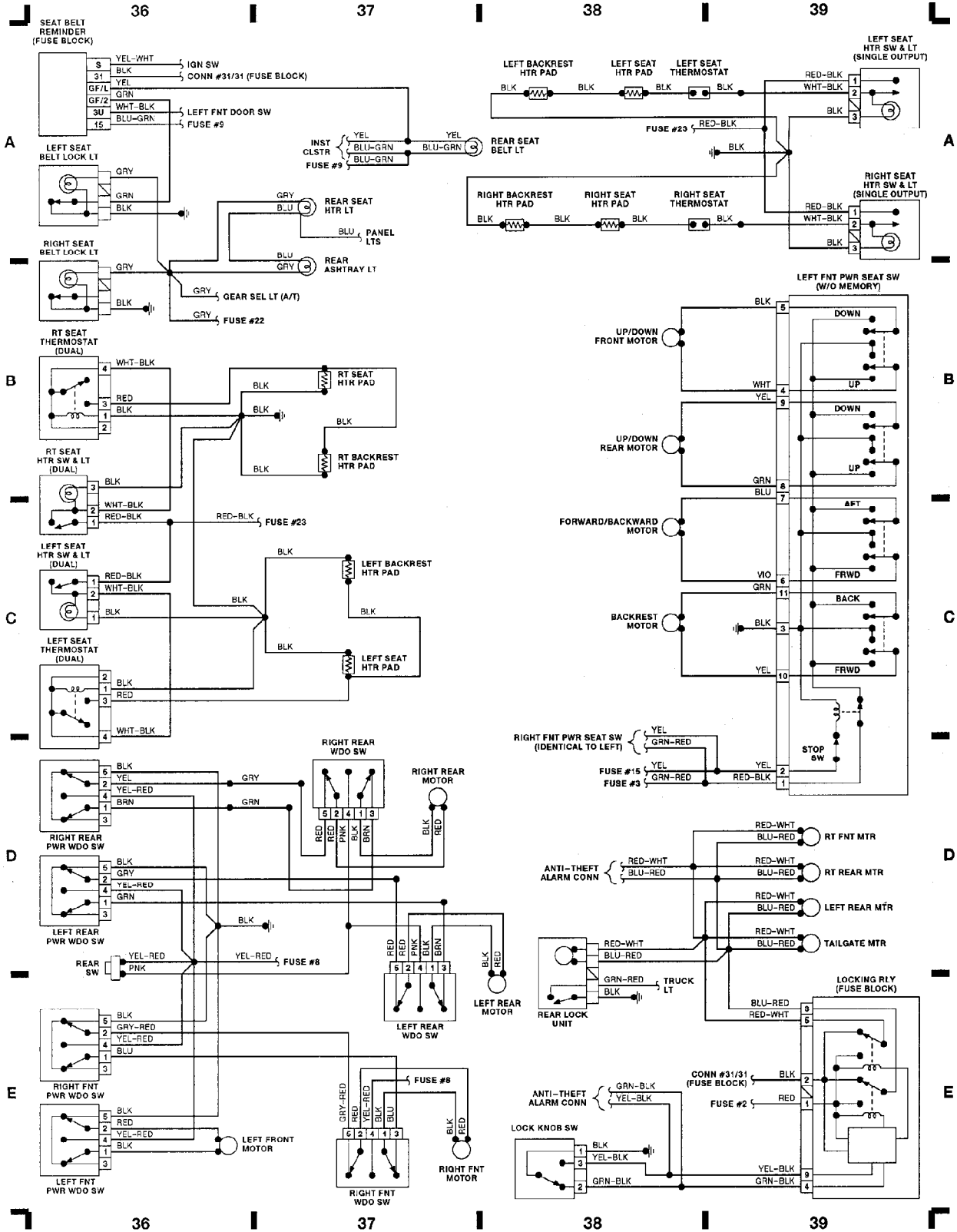
Fig. 10: Power Window/Lock Sw, Seat (w/o Memory) Sw (Grid 36-39)

1992 Volvo 940

For x

Copyright © 1998 Mitchell Repair Information Company, LLC

Friday, July 23, 2004 11:34PM



WIRING DIAGRAMS

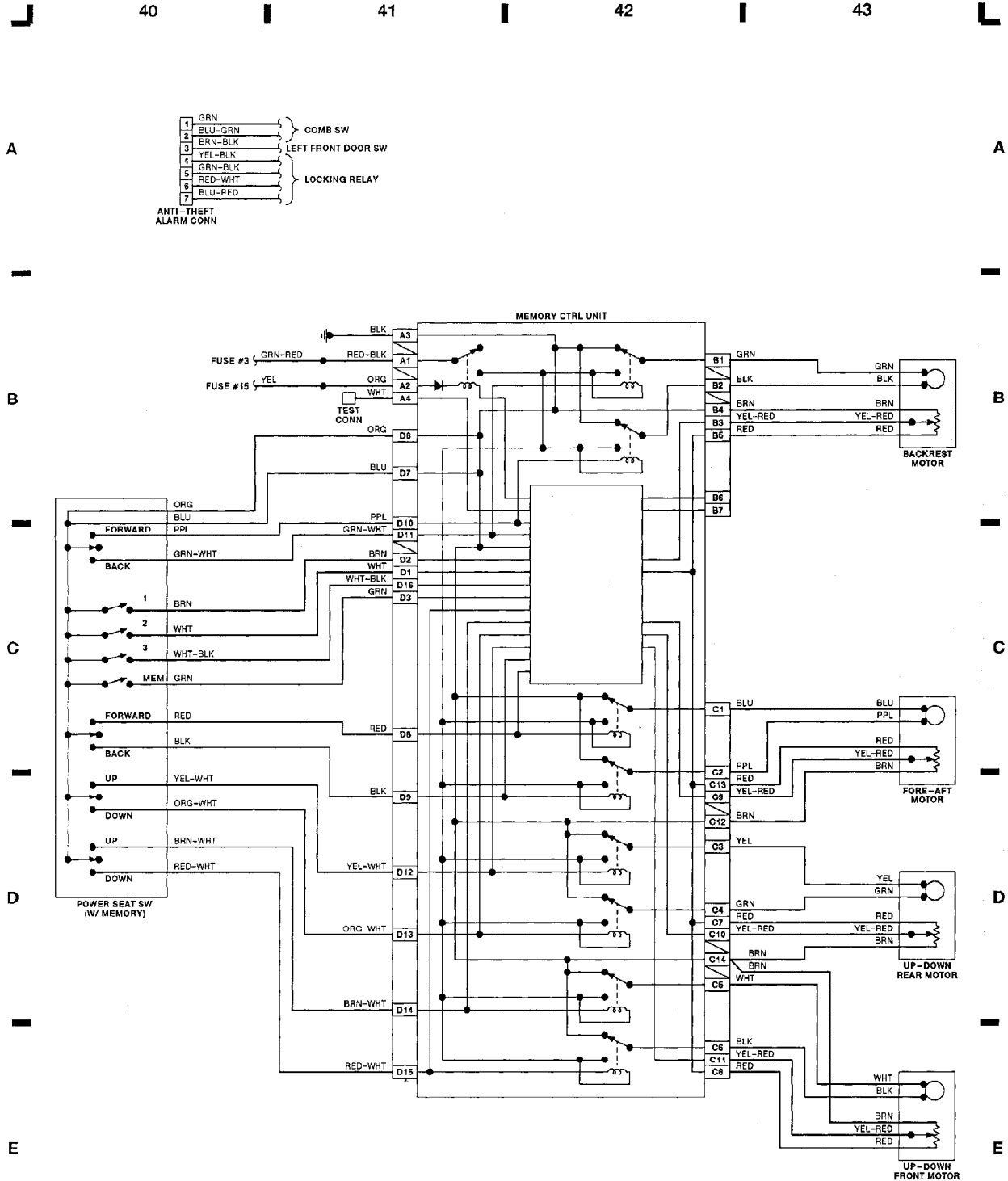
Fig. 11: Memory Control Unit, Pwr Seat Sw (w/ Memory) (Grid 40-43)

1992 Volvo 940

For x

Copyright © 1998 Mitchell Repair Information Company, LLC

Friday, July 23, 2004 11:35PM



WIRING DIAGRAMS

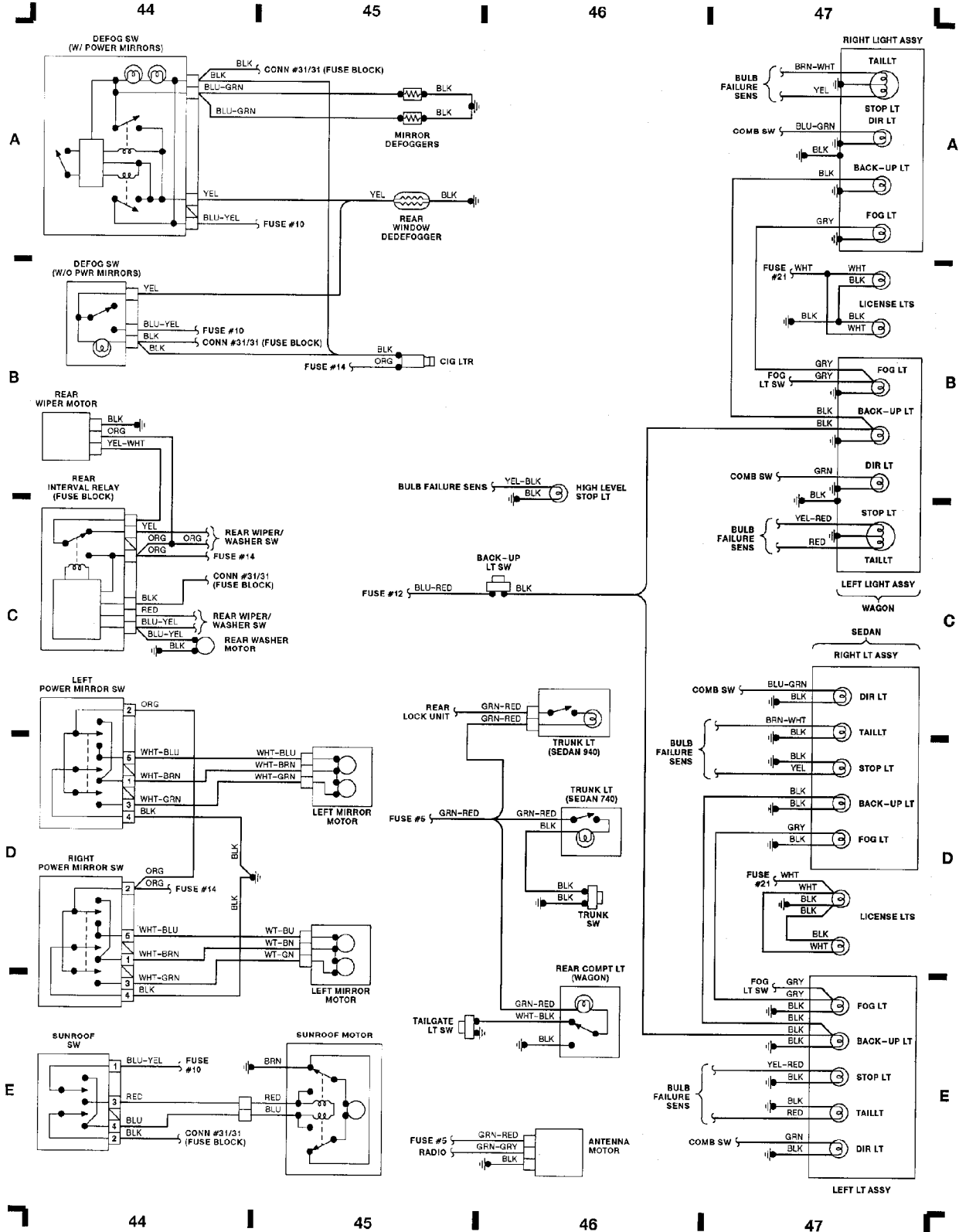
Fig. 12: Defogger Sw, Pwr Mirror/Sunroof Sw, Taillight (Grid 44-47)

1992 Volvo 940

For x

Copyright © 1998 Mitchell Repair Information Company, LLC

Friday, July 23, 2004 11:35PM



WIRING DIAGRAMS

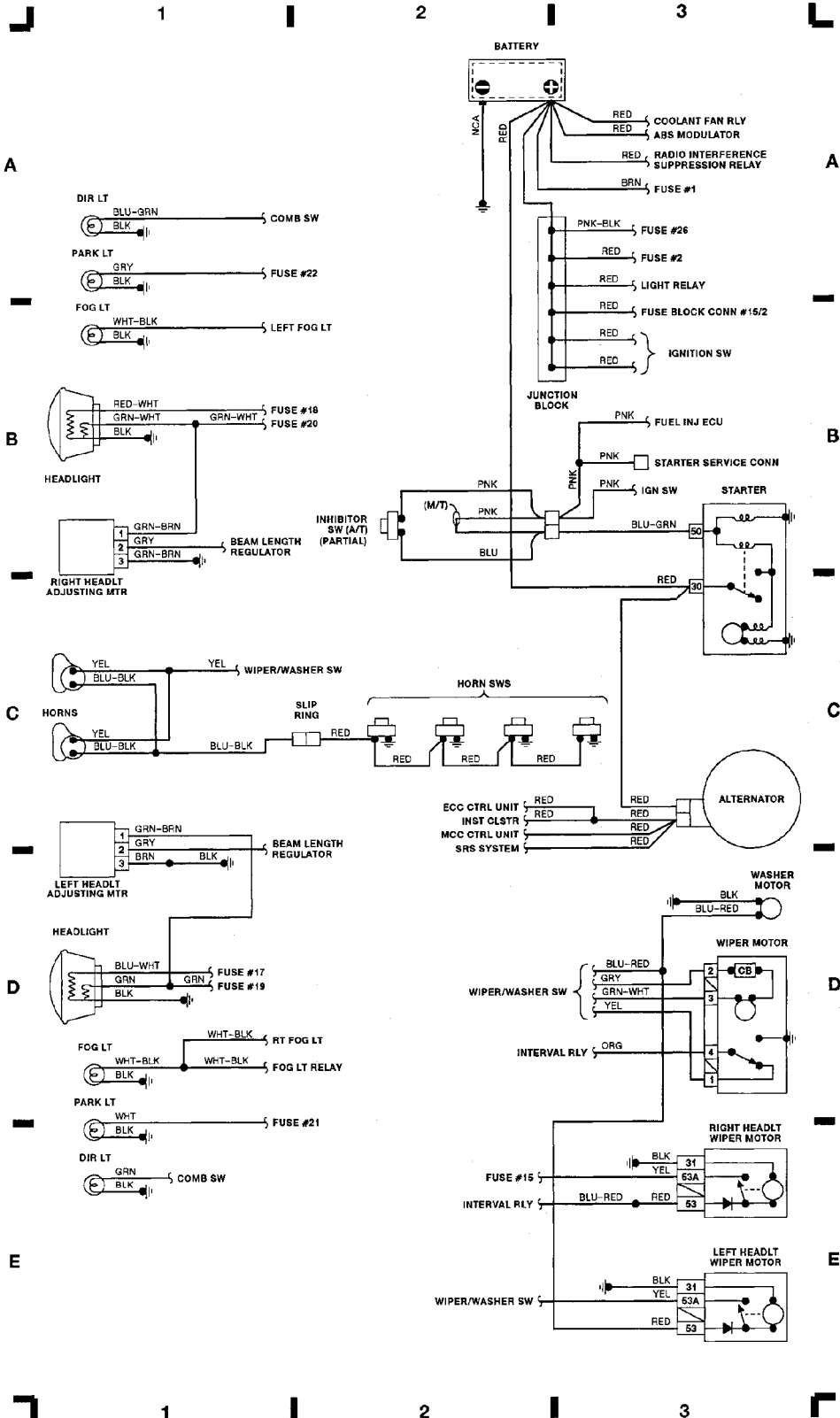
Fig. 1: Engine Compartment, Headlights (Grid 1-3)

1992 Volvo 940

For x
Copyright © 1998 Mitchell Repair Information Company, LLC
Friday, July 23, 2004 11:34PM

COMPONENT LOCATOR:

A/C SYS (ECC)	C-E 20-23
A/C SYS (MCC)	E-C 20-23
ABS SYS	A-C 28-31
ALTERNATOR	C 3
ANTENNA MTR	E 45
ANTI-THEFT ALARM CONN	A 40
BACK-UP LT SW	C 45-46
BATTERY	A 2
BEAM LENGTH REGULATOR	A 19
BULB FAILURE SENS	E 24
CLG LTR	B 45
COMB SW	A-B 24
COOLANT FAN RLY	A 15
COURTESY LTS	C 24
CRUISE CTRL SYS	C-D 28-29
DEFOG SW	A-D 44
DIAGNOSTIC CONN	D 13
DIR LT (LH 2.4 TURBO)	D 11
DIAGNOSTIC CONN (LH 2.4)	D 5
DIAGNOSTIC CONN (REGINA)	D 13
DOOR LTS	D 24
DOOR SWS	C-D 25-26
EZK IGN SYS ECU	D-E 8
(LH 2.4 TURBO)	C-D 7
EZK IGN SYS ECU (LH 2.4)	C-D 7
EZK IGN SYS ECU (REGINA)	C-D 15
FLASHER RLY	E 28
FOG LT RLY	D-E 28
FOG LT SW	D-E 28
FUEL INJ ECU (LH 2.4 TURBO)	A-C 8
FUEL INJ ECU (LH 2.4)	A-C 4
FUEL INJ ECU (REGINA)	A-C 12
FUEL PUMP (LH 2.4 TURBO)	C 11
FUEL PUMP (LH 2.4)	D 12
FUEL PUMP (REGINA)	D 12
FUEL SYS RLY (LH 2.4 TURBO)	B 11
FUEL SYS RLY (LH 2.4)	C 4
FUEL SYS RLY (REGINA)	C 12
FUSE & RLY BLOCK	B-D 18-19
GLOVE BOX LT	E 25
HEADLT WIPER MTR	E 3
HEATED SEAT SYS (DUAL)	B-C 38-37
HEATED SEAT SYS (SINGLE)	A 39-39
HIGH LEVEL STOP LT	B-C 46
IGN COIL (LH 2.4 TURBO)	C 9
IGN COIL (LH 2.4)	E 6
IGN COIL (REGINA)	E 15
IGN SW	E 16
INHIBITOR SW (A/T)	B 2
INST CLSTR	A-E 32-33
INTERVAL RLY	D 27
JUNCTION BLOCK	A-B 2-3
LEFT INT PWR SEAT SW (W/O MEMORY)	B-D 35
LEFT HEADLT ADJUSTING MTR	C-D 1
LIGHT RLY	B-C 27
LIGHT SW	A-B 27
LOCKING RLY	E 38
MEMORY CTRL UNIT	B-E 41-42
O2 SENS (LH 2.4 TURBO)	C 11
O2 SENS (LH 2.4)	C 7
O2 SENS (REGINA)	C 15
OVERDRIVE RLY	A-B 20
PANEL LTS	D-E 36-35
POWER MIRROR	C-D 44
POWER WDG SYS	D-E 36-37
PWR WDR/HEATED SEAT RLY	C 20
RADIO INTERFERENCE SUPPRESSION RLY (LH 2.4 TURBO)	C-D 11
RADIO INTERFERENCE SUPPRESSION RLY (LH 2.4)	C 7
RADIO INTERFERENCE SUPPRESSION RLY (REGINA)	B 15
REAR LOCK UNIT	D 36
REAR SEAT BELT LT	A 37-38
REAR SEAT MTR LT	A 37
REAR WIPER SYS	B-C 44
RIGHT HEADLT ADJUSTING MTR	B 1
SEAT BELT LOCK LT	A-B 36
SHIFT LOCK RLY	E 31
SHIFT LOCK SOL	E 31
SPEED SENS	C 35
SRS SYS	C-D 30-31
STARTER	B-C 3
STOR LT SW	D 28
SUNROOF SW	E 44
TRANSIENT SURGE PROTECTOR	B 28
TRUNK LT	C-E 46
VANITY MIRROR LTS	E 26
WASHER MTR	D 3
WIPER MTR	D 3
WIPER/WASHER SW	C 27



WIRING DIAGRAMS

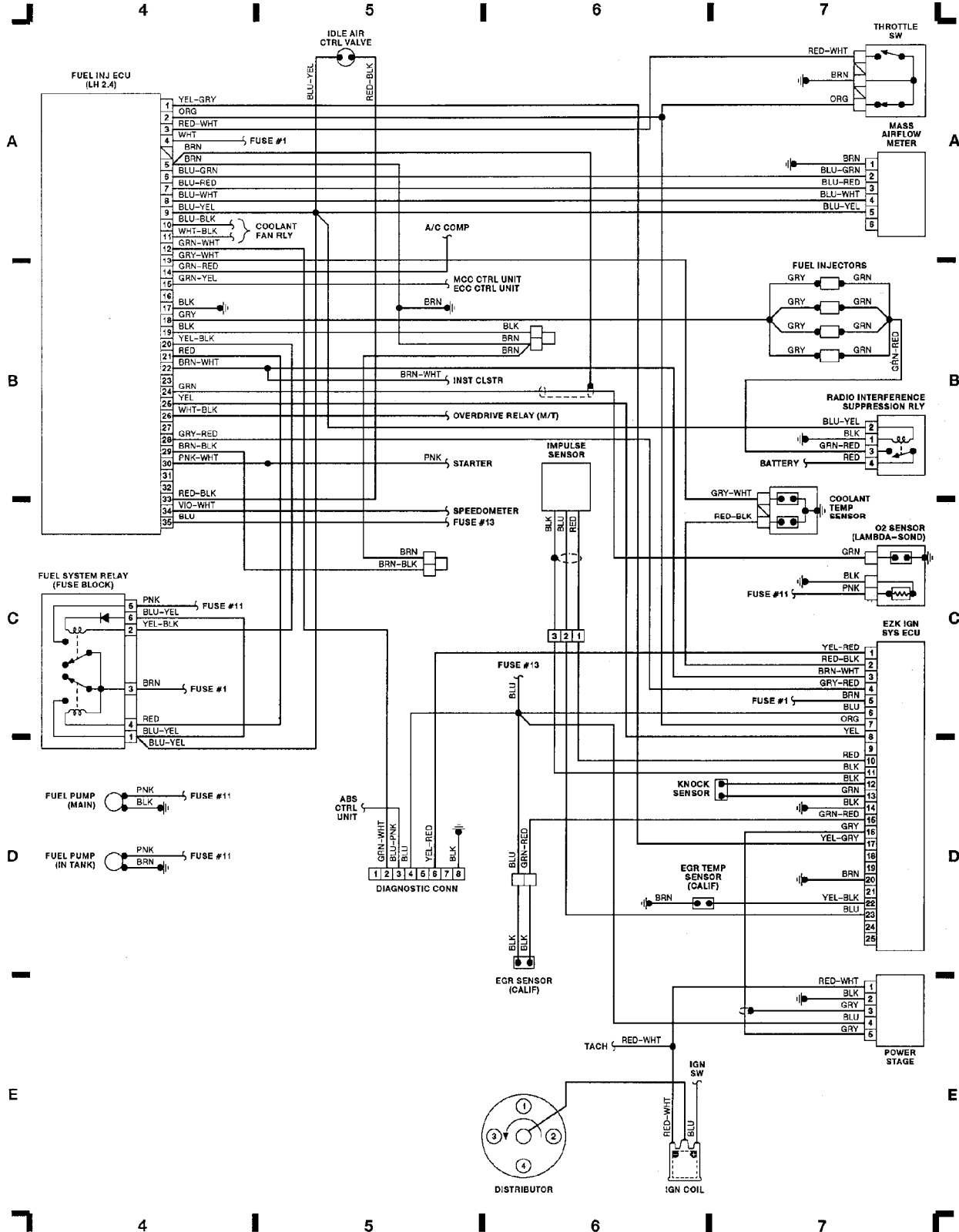
Fig. 2: Fuel Injector ECU (LH 2.4), EZK Ignition System (Grid 4-7)

1992 Volvo 940

For x

Copyright © 1998 Mitchell Repair Information Company, LLC

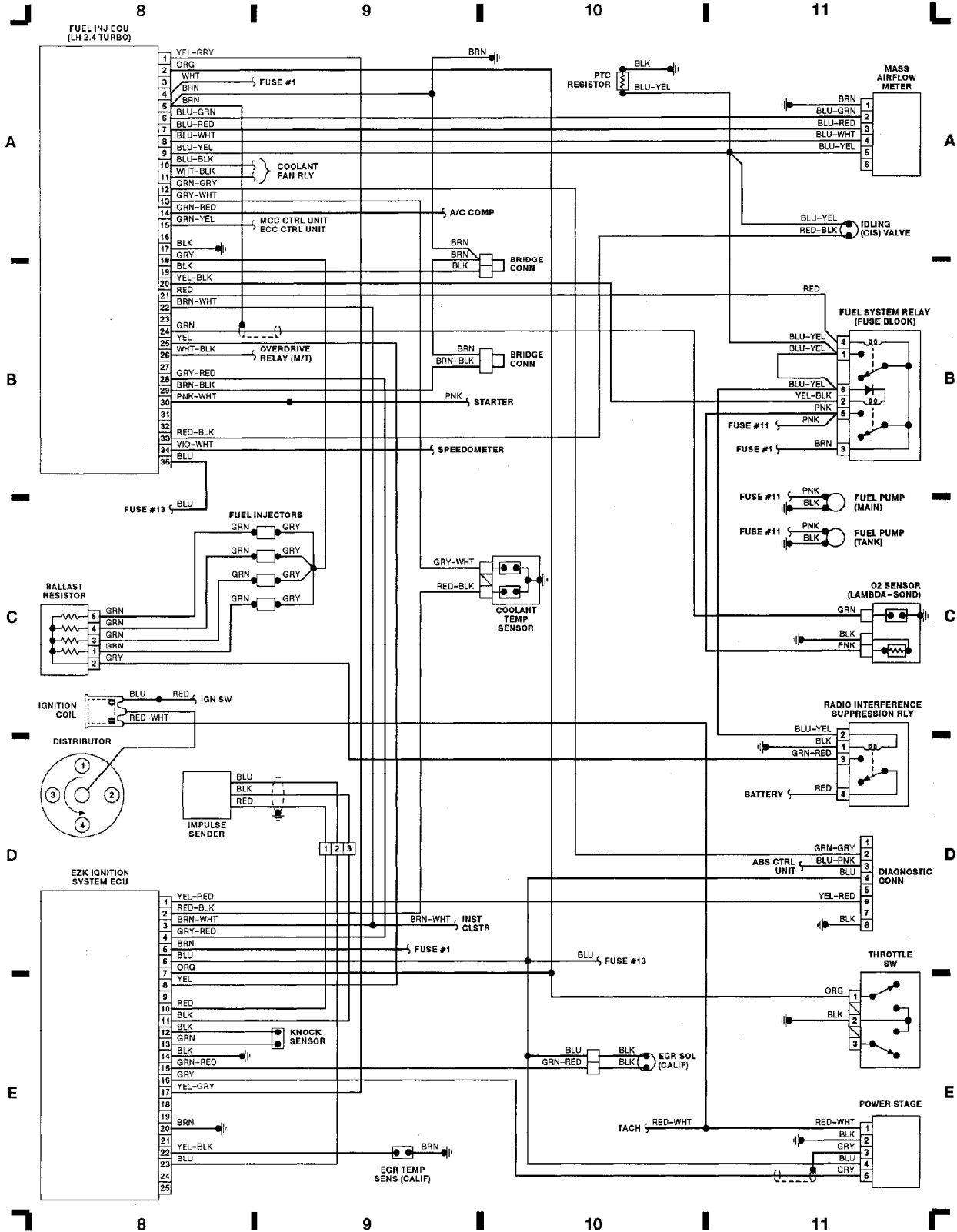
Friday, July 23, 2004 11:34PM



WIRING DIAGRAMS

Fig. 3: Fuel Injector ECU (LH 2.4 TURBO) (Grid 8-11)

1992 Volvo 940
For x
Copyright © 1998 Mitchell Repair Information Company, LLC
Friday, July 23, 2004 11:34PM



WIRING DIAGRAMS

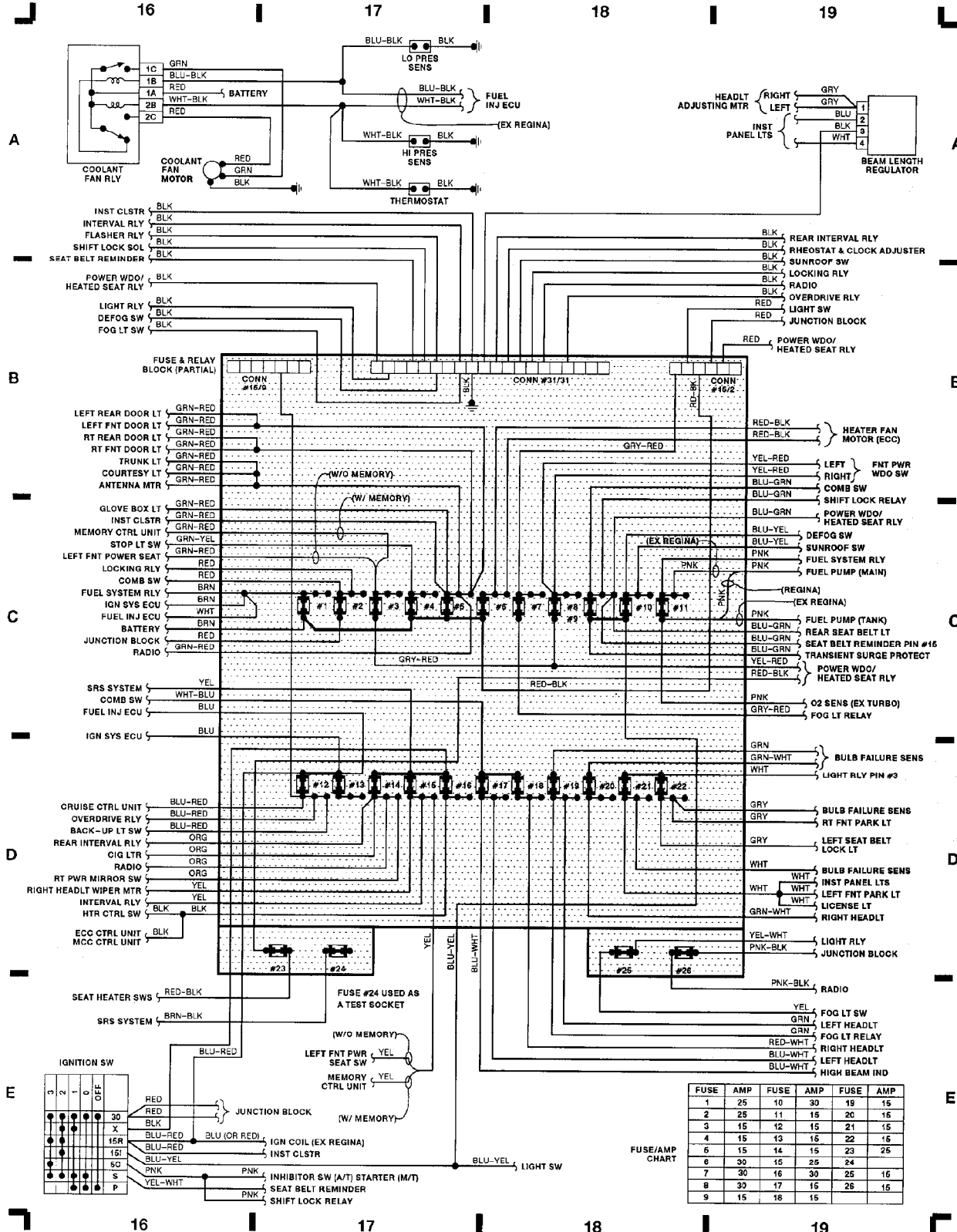
Fig. 5: Fuse And Relay Block (PARTIAL), Ignition Sw (Grid 16-19)

1992 Volvo 940

For x

Copyright © 1998 Mitchell Repair Information Company, LLC

Friday, July 23, 2004 11:34PM



WIRING DIAGRAMS

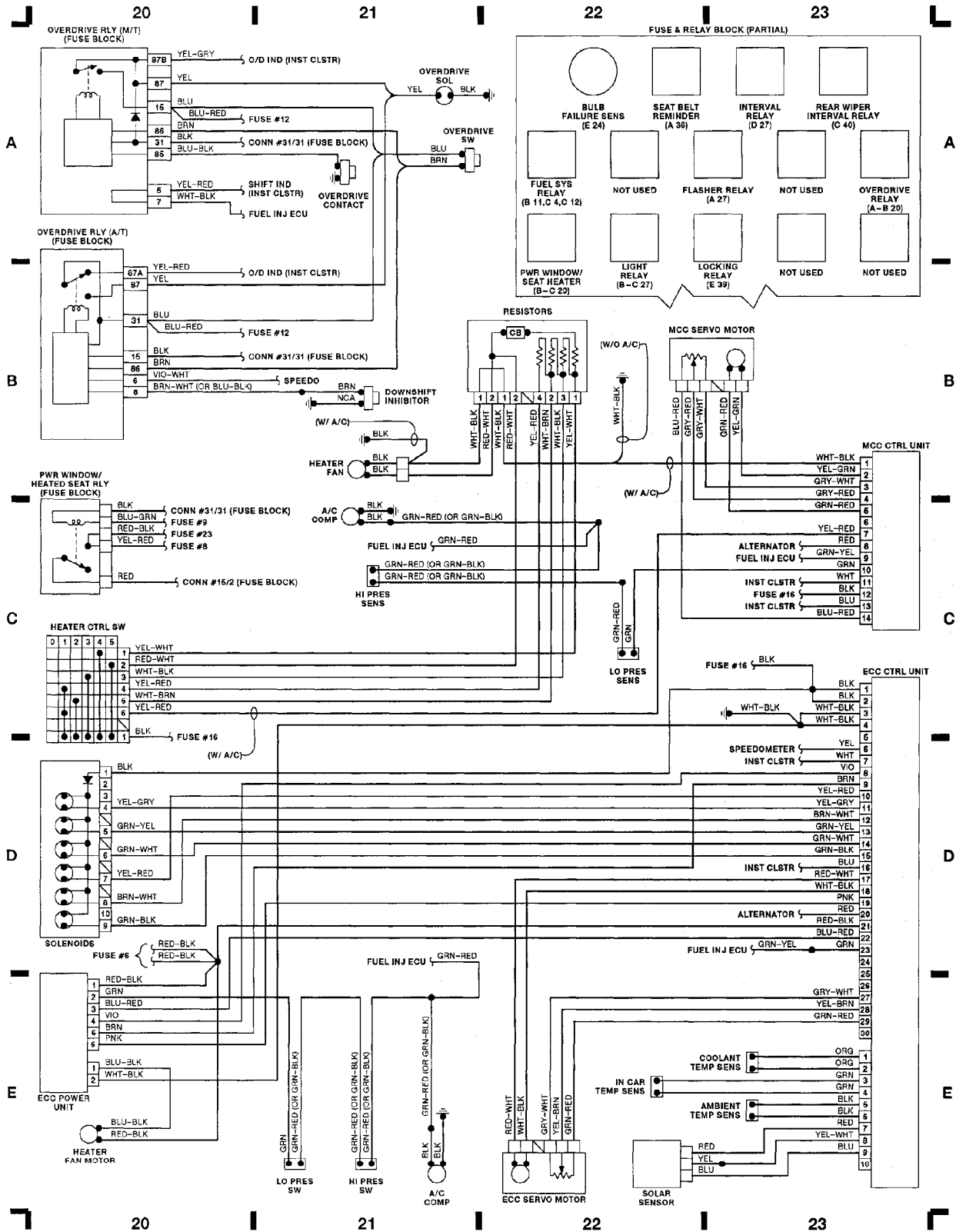
Fig. 6: ECC Control Unit, MCC Control Unit (Grid 20-23)

1992 Volvo 940

For x

Copyright © 1998 Mitchell Repair Information Company, LLC

Friday, July 23, 2004 11:34PM



WIRING DIAGRAMS

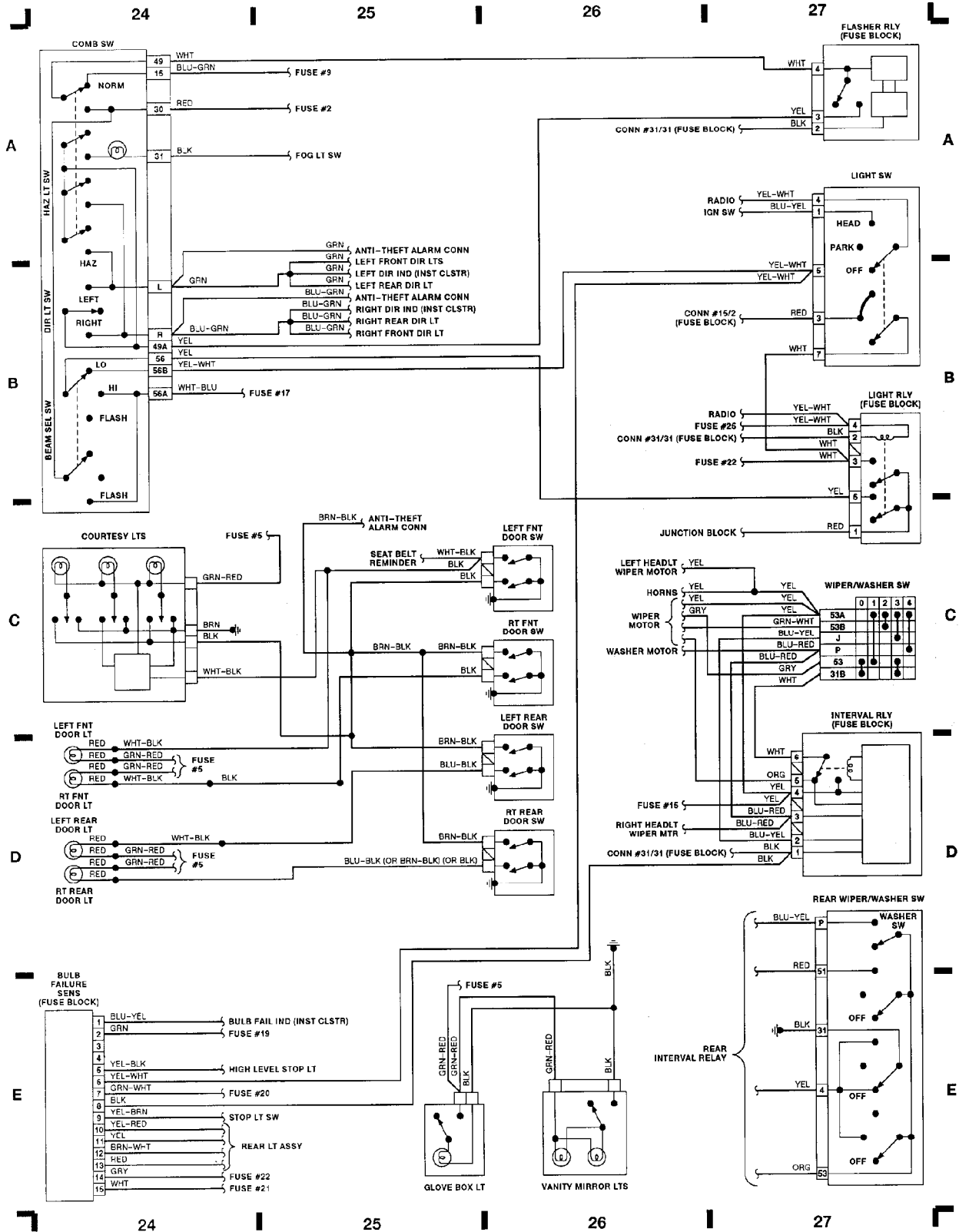
Fig. 7: Combo Switch, Courtesy Lights, Light Relay (Grid 24-27)

1992 Volvo 940

For x

Copyright © 1998 Mitchell Repair Information Company, LLC

Friday, July 23, 2004 11:34PM



WIRING DIAGRAMS

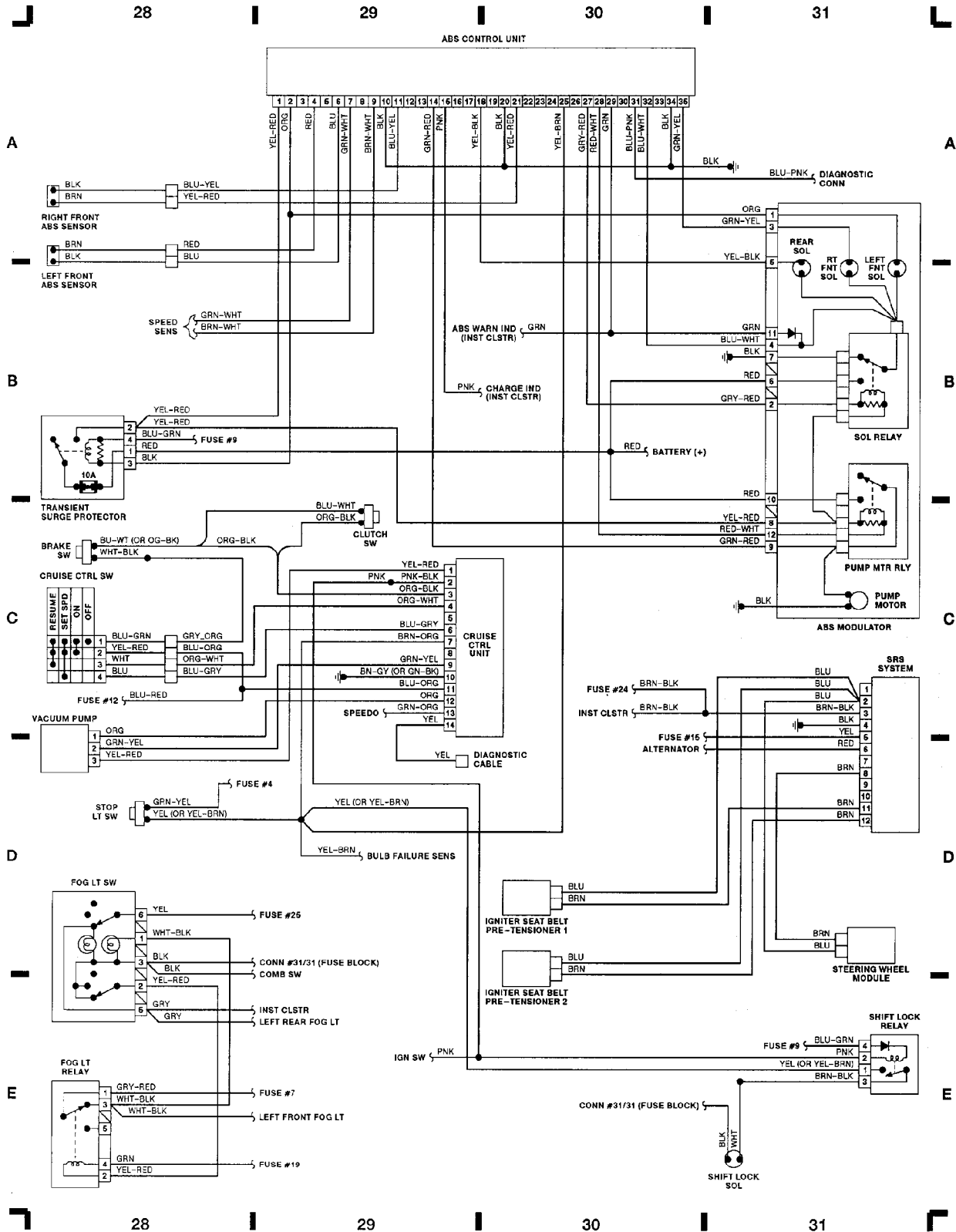
Fig. 8: ABS Control Unit, SRS System, Fog Light Sw (Grid 28-31)

1992 Volvo 940

For x

Copyright © 1998 Mitchell Repair Information Company, LLC

Friday, July 23, 2004 11:34PM



WIRING DIAGRAMS

Fig. 9: Instrument Cluster, Panel Lights (Grid 32-35)

1992 Volvo 940

For x

Copyright © 1998 Mitchell Repair Information Company, LLC

Friday, July 23, 2004 11:34PM

